

EPSON®

24-pin dot matrix printer

LQ-300+

All rights reserved. No part of this publication may be reproduced, stored in a retrieval system, or transmitted in any form or by any means, electronic, mechanical, photocopying, recording, or otherwise, without the prior written permission of SEIKO EPSON CORPORATION. The information contained herein is designed only for use with this EPSON printer. EPSON is not responsible for any use of this information as applied to other printers.

Neither SEIKO EPSON CORPORATION nor its affiliates shall be liable to the purchaser of this product or third parties for damages, losses, costs, or expenses incurred by the purchaser or third parties as a result of: accident, misuse, or abuse of this product or unauthorized modifications, repairs, or alterations to this product, or (excluding the U.S.) failure to strictly comply with SEIKO EPSON CORPORATION's operating and maintenance instructions.

SEIKO EPSON CORPORATION shall not be liable for any damages or problems arising from the use of any options or any consumable products other than those designated as Original EPSON Products or EPSON Approved Products by SEIKO EPSON CORPORATION.

EPSON and EPSON ESC/P are registered trademarks and EPSON ESC/P2 is a trademark of SEIKO EPSON CORPORATION.

Microsoft, Windows, and Windows NT are registered trademarks of Microsoft Corporation.

IBM is a registered trademark of International Business Machines Corporation.

Adobe and Acrobat are registered trademarks and Acrobat Reader is a trademark of Adobe Systems Incorporated.

General Notice: Other product names used herein are for identification purposes only and may be trademarks of their respective owners. EPSON disclaims any and all rights in those marks.

Copyright © 2000 by SEIKO EPSON CORPORATION, Nagano, Japan.

Where to Find Information

- **Quick Start Manual (this manual)**

Contains information about how to set up the printer, install the printer software and access your online documentation. It also provides instructions for daily operation. Keep this manual near your printer.

- **Online Documentation**

The CD-ROM supplied with the printer includes a set of online documentation in PDF format containing further information and reference tips.

- **Online Help**

Provides you with detailed information and instructions on the Windows printer software that controls your printer. Online help will be automatically installed when you install the printer software.

■ Contents

Contents	3
Warnings, Cautions, and Notes	4
Print Head Caution Symbol	4
ENERGY STAR® Compliance	4
Unpacking the Printer	5
Choosing a place for the printer	6
Assembling the Printer	7
Installing the paper-feed knob	7
Attaching the paper supports	7
Installing or replacing the ribbon cartridge	8
Plugging in the printer	11
Running the Self Test	12
Connecting the Printer to Your Computer	14
Using the parallel interface	15
Using the serial interface	16
Installing the Printer Software	17
Installing the software in Windows Me, 98, 95, 2000, or NT 4.0	17
Installing the software in Windows 3.1 or NT 3.5x	18
For DOS programs	19
Printing	20
Accessing the printer driver	20
Printing on single sheets	21
Using the Online Manual	21
Installing the Adobe Acrobat Reader	22
Accessing the online manual	22
Customer Support	23
Printer Parts	24

■ Warnings, Cautions, and Notes

This guide uses the following conventions:



Warnings

must be followed to avoid bodily injury.



Cautions

must be observed to avoid damage to your equipment.

Notes

contain important information and useful tips on the operation of your printer.

■ Print Head Caution Symbol



This symbol is placed on the print head to indicate that the print head may be hot. Never touch the print head just after the printer has been used. Let the print head cool for a few minutes before touching it.

■ ENERGY STAR® Compliance

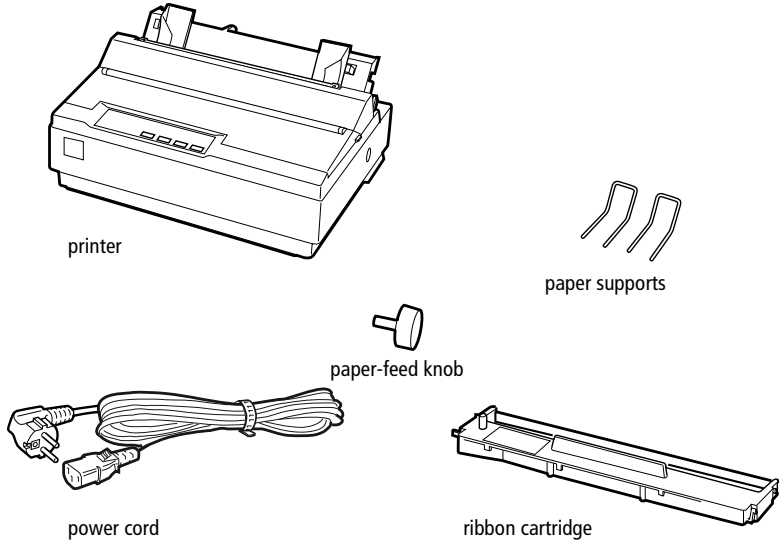


As an ENERGY STAR® partner, EPSON has determined that this product meets the ENERGY STAR® guidelines for energy efficiency.

The International ENERGY STAR® Office Equipment Program is a voluntary partnership with the computer and office equipment industry to promote the introduction of energy-efficient personal computers, monitors, printers, fax machines, copiers, and scanners in an effort to reduce air pollution caused by power generation.

■ Unpacking the Printer

Besides the items shown in the illustration below, the printer box should include an EPSON printer software CD-ROM and a Notice Sheet. Check that everything has been included in the package.



Note:

Depending on your printer model, the power cord may be permanently attached to the printer. Also, the shape of the power cord plug varies depending on the country of purchase; be sure the plug you have is the right one for your location.



Caution:

There are several models of the printer designed for different voltages, and it is not possible to adjust the printer for use with another voltage. If the label on the back of the printer does not show the correct voltage for your country, contact your dealer.

You must remove all protective materials packed around and inside your printer before you set it up and turn on the power. Follow the directions on the Notice Sheet (packed with the printer) to remove these materials.

Save all packing and protective materials in case you need to ship the printer in the future. It should always be transported in its original packing materials.

■ Choosing a place for the printer

Follow the guidelines below when selecting a location for your printer.

- Place the printer on a flat, stable surface. The printer will not operate properly if it is tilted or placed at an angle.
- Place the printer where you can easily connect it to a network interface cable, if necessary.
- Leave adequate room around the printer for easy operation and maintenance.
- Avoid using or storing the printer in places subject to rapid changes in temperature and humidity. Keep it away from direct sunlight, strong light, heat sources, or excessive moisture or dust.
- Avoid places subject to shocks and vibrations.
- Place the printer near a wall outlet where you can easily unplug the power cord.
- Avoid electrical outlets controlled by wall switches or automatic timers. An interruption in power can erase information in the memory of your printer or computer. Also avoid outlets on the same circuit as large motors or other appliances that can cause voltage fluctuations.
- Keep the entire computer system away from potential sources of electromagnetic interference, such as loudspeakers or the base units of cordless telephones.
- Use a grounded power outlet; do not use an adapter plug.

If you plan to use a printer stand, follow these guidelines:

- Use a stand that supports at least 20 kg.
- Never use a stand that tilts the printer. The printer should always be kept level.
- Position your printer's power cord and interface cable so they do not interfere with paper feeding. If possible, secure the cables to a leg of the printer stand.

■ Assembling the Printer

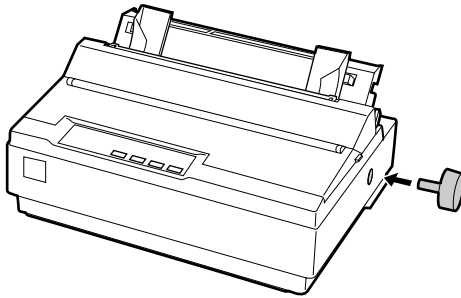
This section provides you with information on how to get your printer up and running. See "Printer Parts" on the last page of this manual for the names of the individual printer parts.

■ Installing the paper-feed knob

The first step in assembling the printer is installing the paper-feed knob.

Follow these steps to install the paper-feed knob:

1. Insert the knob into the hole on the printer's side and rotate it slowly until it slips onto the shaft.



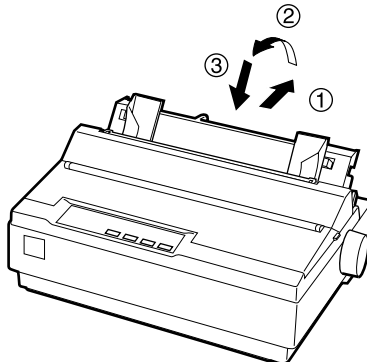
2. Push firmly on the paper-feed knob until it fits against the printer case.

■ Attaching the paper supports

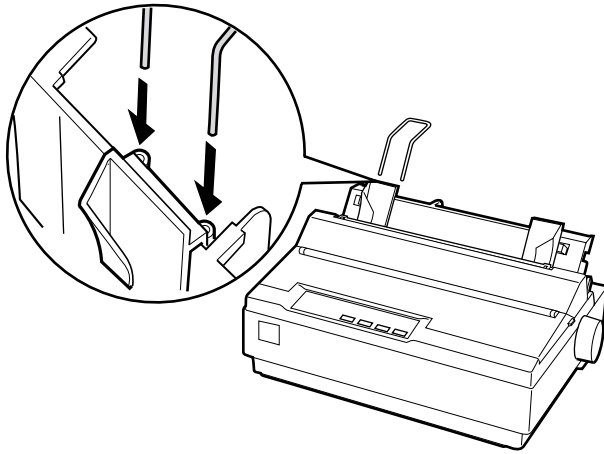
You should install the paper supports before you begin using the printer.

Follow these steps to attach the paper supports onto the printer:

1. Pull the paper guide backward. Raise it up, and then push it firmly until it fits in place.



2. Hold one of the paper supports and push the tips into the notches on the edge guide.



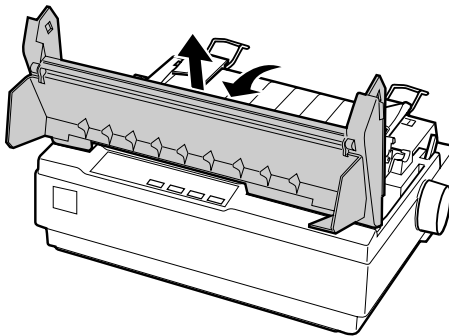
3. Repeat step 2 for the other paper support.

■ Installing or replacing the ribbon cartridge

Before installing the ribbon cartridge, make sure that the printer is not plugged into an electrical outlet.

Follow these steps to install or replace the ribbon cartridge:

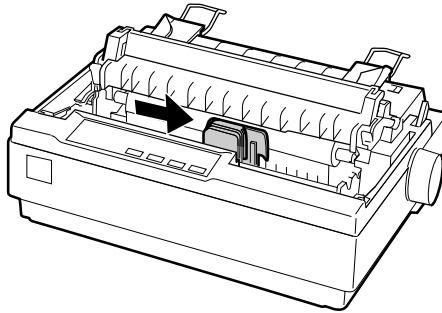
1. Open the printer cover to the upright position, then pull it up to remove it.



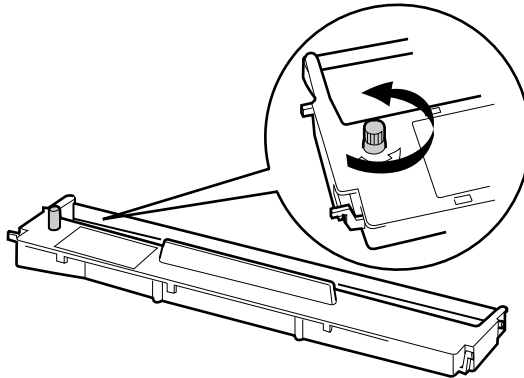
Warning:

Never move the print head while the printer is turned on; this can damage the printer. Also, if you have just used the printer, let the print head cool for a few minutes before you touch it.

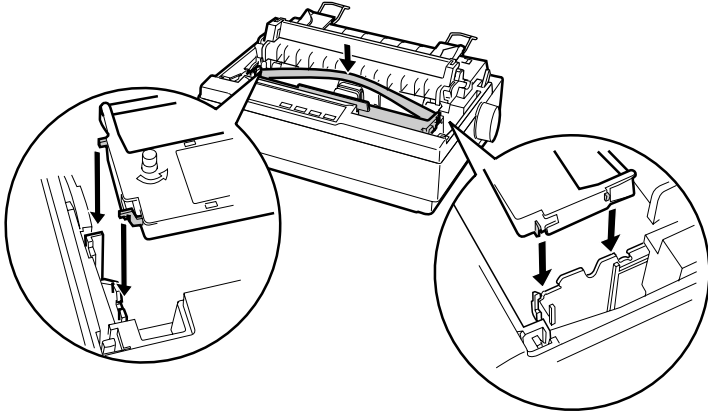
2. Slide the print head to the middle of the printer.



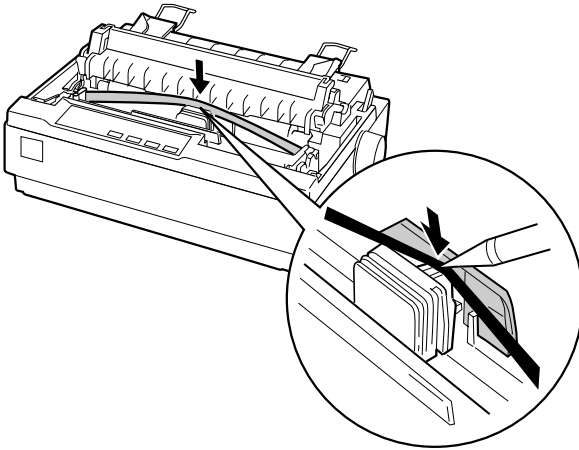
3. Turn the ribbon-tightening knob in the direction of the arrow to remove any slack from the ribbon so it is easier to install.



4. Insert the ribbon cartridge into the printer as shown; then press both sides of the cartridge firmly to fit the plastic hooks into the printer slots.



5. Use a pointed object, such as a ball point pen, to guide the ribbon between the print head and ribbon guide. Turn the ribbon-tightening knob to help feed the ribbon into place; it should not be twisted or creased.



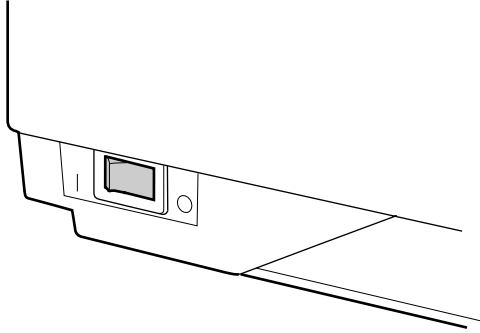
6. Slide the print head from side to side to make sure it moves smoothly.
7. Reinstall and close the printer cover.

When printing becomes faint, you need to replace the ribbon cartridge. To remove the old ribbon cartridge, first move the print head to the center of the printer. Then remove the cartridge by lifting both ends and taking it out of the printer.

■ Plugging in the printer

Follow these steps to plug in the printer:

1. Make sure the power switch on the printer is turned off. It is off when the ○ side of the switch is pressed down.



2. Check the label on the back of the printer to make sure the voltage required by the printer matches that of your electrical outlet.



Caution:

If the rated voltage on the printer and your outlet voltage do not match, contact your dealer for assistance. Do not plug in the power cord.

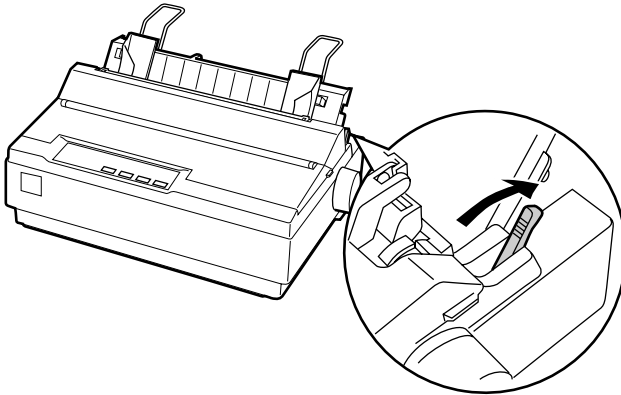
3. If the power cord is not attached to the printer, connect it to the AC inlet on the printer.
4. Plug the power cord into a properly grounded electrical outlet.

■ Running the Self Test

Use the built-in self test function to check that the printer is working properly. You can run the test with either continuous paper or single sheets. The procedure below describes the test using single sheets, which is the easier way.

Follow these steps to run the self test:

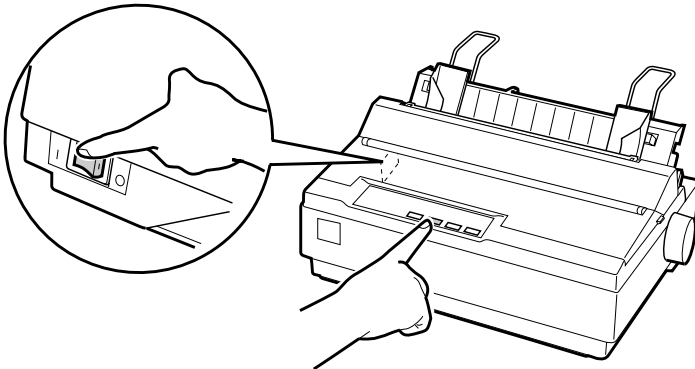
1. Make sure the printer is turned off. Also make sure that the paper-release lever is pushed back to the single-sheet position and the paper guide is in the upright position, as shown below.



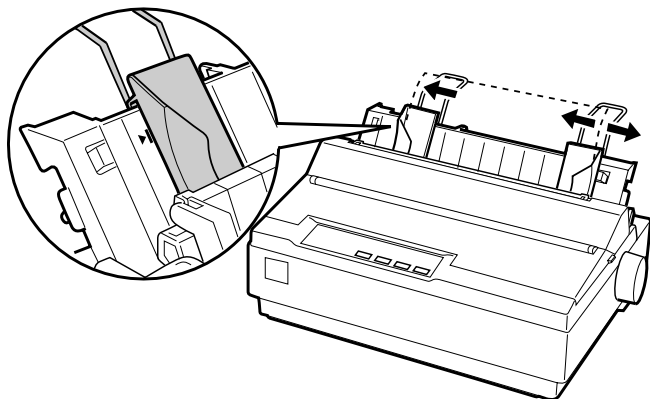
Caution:

You should use paper at least 210 mm wide to run the self test; otherwise, the print head prints directly on the platen.

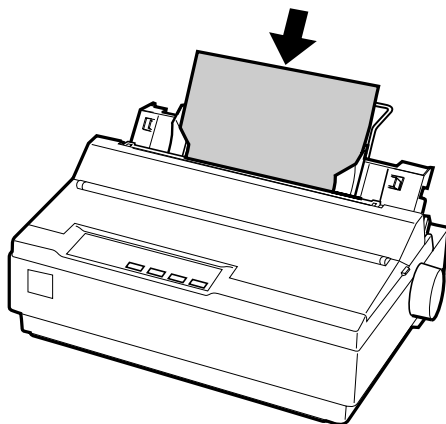
2. While holding down the **LF/FF** button, turn on the printer.



3. Slide the left edge guide until it locks in place at the guide mark. Next, adjust the right edge guide to match the width of your paper.



4. Slide a sheet of paper down firmly between the edge guides until it meets resistance. The printer loads the sheet automatically and begins printing the self test.



5. To stop printing temporarily, press the **PAUSE** button.
6. To end the self test, make sure the printer is not printing. Press **LF/FF** to eject the sheet; then turn off the printer.

Here is part of a typical self-test printout:

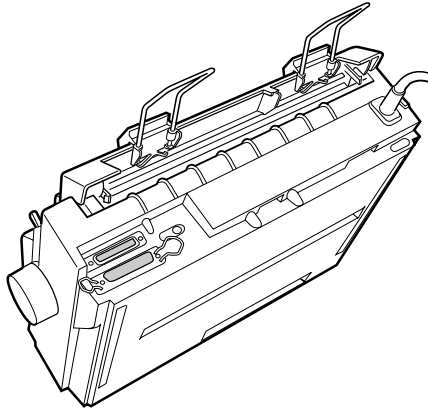
```
!"#$%&'()*+,-./0123456789:;<=>?@ABCDEFGHI  
!"#$%&'()*+,-./0123456789:;<=>?@ABCDEFGHI  
!"#$%&'()*+,-./0123456789:;<=>?@ABCDEFGHIJ  
!"#$%&'()*+,-./0123456789:;<=>?@ABCDEFGHIJK  
!"#$%&'()*+,-./0123456789:;<=>?@ABCDEFGHIJKL  
!"#$%&'()*+,-./0123456789:;<=>?@ABCDEFGHIJKLM  
!"#$%&'()*+,-./0123456789:;<=>?@ABCDEFGHIJKLMN
```

Note:

If the self test did not print satisfactorily, see Chapter 4, "Troubleshooting" in the online User's Guide. If it prints correctly, proceed to the next section.

■ Connecting the Printer to Your Computer

Your printer includes both an IEEE-1284-compatible parallel interface and an EIA-232D serial interface. Before you begin, place the printer upright, as shown below. (This makes it easier to connect the cable.)



Connect your computer to the desired interface as described below.

Note:

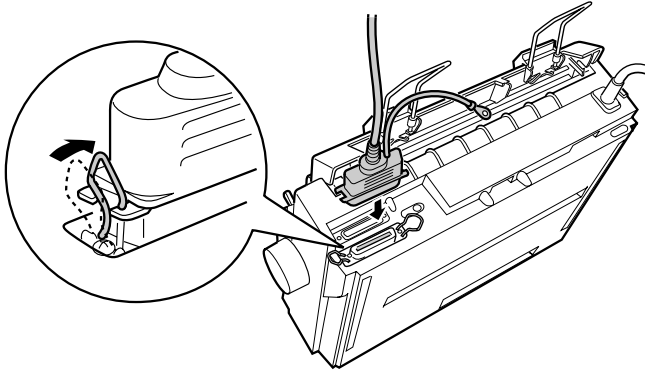
You can connect a cable to both interfaces; the printer switches automatically to the appropriate interface when it receives data.

■ Using the parallel interface

You need a shielded, twisted-pair cable no longer than 2 meters to use the parallel interface.

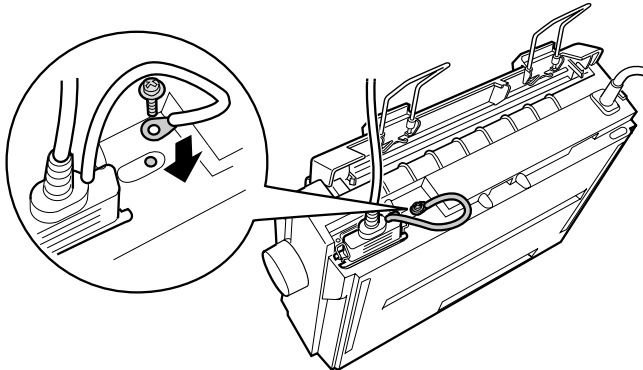
Follow these steps to connect the printer to the computer using the parallel interface:

1. Turn off both the computer and the printer.
2. Plug the parallel cable connector securely into the printer's parallel interface port. Squeeze the wire clips together until they lock in place on both sides of the connector.



Note:

If there is a ground wire at the end of the cable, attach it to the ground connector located to the right of the parallel interface port.



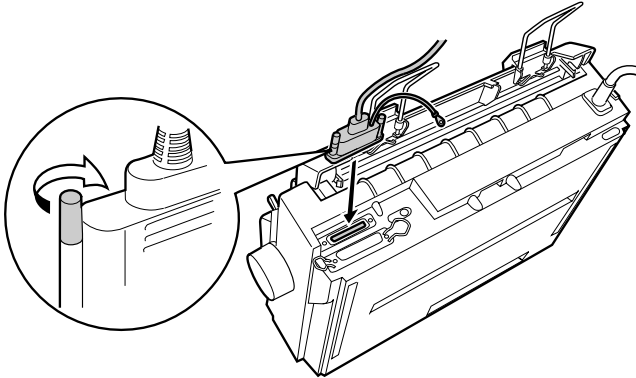
3. Plug the other end of the cable into the computer's parallel interface port. (If there is a ground wire at the end of the cable, attach it to the ground connector at the back of the computer.)

■ Using the serial interface

You need a serial cable that has a DB-25 male connector on the printer side to use the serial interface.

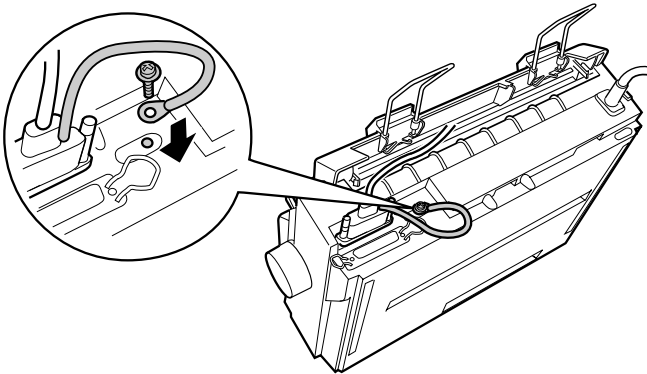
Follow these steps to connect the printer to the computer using the serial interface:

1. Turn off both the computer and the printer.
2. Plug the serial cable connector securely into the printer's serial interface port. Tighten the screws on both sides of the connector.



Note:

If there is a ground wire at the end of the cable, attach it to the ground connector located to the right of the serial interface port.



3. Plug the other end of the cable into the computer's serial interface port and then tighten the screws on both sides of the connector. (If there is a ground wire at the end of the cable, attach it to the ground connector at the back of the computer.)

4. Use the Default Setting mode to change the baud rate or parity bit, if necessary. See "About Your Printer's Default Settings" in chapter 2 of the online *User's Guide*.

■ Installing the Printer Software

After you connect the printer to your computer, you need to install the software included on the EPSON printer software CD-ROM shipped with your printer.

Your printer software includes:

- **Printer driver**
The printer driver is the software that runs, or "drives," your printer. With it, you can make printer settings such as print quality, resolution, and paper size.
- **EPSON Status Monitor 3 utility (Windows Me, 98, 95, 2000, or NT 4.0)**
The EPSON Status Monitor 3 utility notifies you of printer errors and displays printer status information.
- **EPSON Remote! (a DOS-based printer setup utility)**
The EPSON Remote! utility allows you to easily change the printer's default settings from the computer screen. See "Using the EPSON Remote! Utility" in chapter 3 of the online *User's Guide*.

■ Installing the software in Windows Me, 98, 95, 2000, or NT 4.0

Follow these steps to install the printer software in Windows Me, 98, 95, 2000, or NT 4.0:

Note:

- *Installing the printer software for Windows 2000 or NT 4.0 may require administrator privileges. If you have problems, ask your administrator for more information.*
- *If you wish to make a floppy disk version of the printer software on your CD-ROM, insert the CD-ROM and run the START.EXE program. In the dialog box that appears, click the **Driver disk creation utility** button and follow the on-screen instructions.*
- *If you are using the floppy disk version of the EPSON software, make a backup copy of the EPSON printer software disk or disks before you begin installation.*

1. Make sure that the printer and computer are switched off.
2. Switch the PC on. Windows starts automatically. Then switch the printer on.
3. Insert the CD-ROM containing the printer software into the CD-ROM drive. The AutoPlay function of the CD-ROM drive automatically starts the installation program on the CD-ROM.

If the installation program does not start automatically, click on **Start** and then on **Run**. In the **Run** dialog box, enter the drive letter of your CD-ROM drive in the command line (e.g. **E:**), followed by the command **START.EXE** (e.g. **E:\START.EXE**) and click on the **OK** button.

Note:

If your CD-ROM drive has a drive letter other than **E**, substitute the appropriate letter. The installation program starts. The subsequent procedure is menu-driven, i.e., you can select the relevant options from a list simply by clicking with the mouse. The remainder of the installation is automatic and you do not need to enter any more information.

4. Select the desired options and follow the on-screen instructions.
5. After the printer software has been successfully installed, click on the button identified by a door icon to exit the installation program.

Note:

- If the **New Hardware Found** screen or any other wizard appears when you turn on your computer, click **Cancel** and follow the steps above.
- Installation time varies depending on your computer.

For information on opening and using the software, see chapter 3 "Using the Printer Software" in the online *User's Guide*. After you install the printer driver on Windows Me, 95, 98, 2000 or NT 4.0, you can install the EPSON Status Monitor 3 utility program. See "About the EPSON Status Monitor 3 Utility" in chapter 3 of the online *User's Guide* for information on installing and using the Status Monitor.

■ Installing the software in Windows 3.1 or NT 3.5x

Follow the steps below to install the printer software in Windows 3.1 or NT 3.5x systems.

Note:

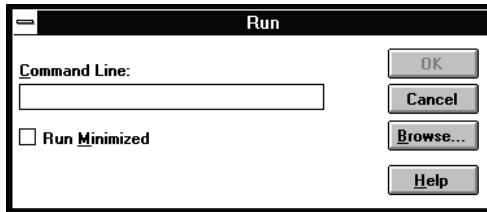
Installing the printer software on Windows NT 3.5x may require network administration privileges. Ask your administrator for more information.

1. Make sure Windows 3.1 or NT 3.5x is running and the **Program Manager** window is open.
2. Insert the EPSON printer software CD-ROM shipped with your printer in the CD-ROM drive.

Note:

If your system does not have a CD-ROM drive, you can make a floppy disk version from which to install the printer software.

3. From the **File** menu, choose **Run**. The **Run** dialog box appears. In the **Command Line** box, type **E:\START** and click **OK**.



Note:

*If your CD-ROM drive has a drive letter other than **E**, substitute the appropriate letter.*

The installation program starts. The subsequent procedure is menu-driven, i.e., you can select the relevant options from a list simply by clicking with the mouse. The remainder of the installation is automatic and you do not need to enter any more information.

4. Select the desired options and follow the on-screen instructions.
5. After the printer software has been successfully installed, click on the button identified by a door icon to exit the installation program.

The installation program automatically selects the LQ-300+ as the default printer for Windows applications.

For information on opening and using the software, see chapter 3 "Using the Printer Software" in the online *User's Guide*.

■ For DOS programs

To control the printer from DOS application programs, you need to select the printer you are using or another available printer from the printer list of your application.

Choose the EPSON LQ-300+ printer at the appropriate step in the setup or installation procedure of your DOS application program. If the list in your application does not include the LQ-300+ printer, choose the first available printer from this list:

LQ-300	FX-86e/800
LQ-580/LQ-570e	JX-80
LX-810/850	EX-800
LX-800	EPSON LQ printer
LX-80/86	EPSON FX printer
FX-850	EPSON printer

If you plan to use color, you must choose LQ-300. The other printers cannot use color.

Note:

If your application does not list a suitable alternative, contact the software manufacturer to see if an update is available.

■ Printing

■ Accessing the printer driver

To access the printer driver, follow the steps below.

Note:

The steps below provide general guidelines on accessing the printer driver. How you access the printer driver may differ depending on your application. See your application manual for details.

■ Windows Me/98/95/2000, and Windows NT 4.0

1. Select **Print Setup** or **Print** from the **File** menu of your application software. The **Print** or **Print Setup** dialog box appears.
2. Make sure that your printer is selected and then click **Printer, Setup, Properties,** or **Options.** (You may need to click a combination of these buttons.) The **Properties** (Windows Me/98/95/2000) or **Document Properties** (Windows NT 4.0) window appears, and you see the **Paper** and **Graphics** menus (Windows Me/98/95/2000) or the **Page Setup** and **Advanced** menus (Windows NT 4.0). These menus contain the printer driver settings.
3. To view a menu, click the corresponding tab at the top of the window. See Chapter 3 "Using the Printer Software" in the *online User's Guide* for detailed information about the settings.

Note:

*To access the printer driver from the **Start** menu, click **Start, Settings, Printers** to open the **Printer** window. Right-click the **Printer** icon and click **Properties** (Windows Me/98/95/2000) or **Document Defaults** (Windows NT 4.0).*

4. When you finish making your printer driver settings, click **OK** to apply the settings, or click **Restore Defaults** (Windows 95/98/Me/2000) or **Cancel** (Windows NT) to return the settings to their previous values.
5. Click **OK** in the **Print** or **Print Setup** dialog box to issue the print job.

■ Windows 3.1, and Windows NT 3.5x

1. Select **Print Setup** or **Print** from the **File** menu of your application software. The **Print** or **Print Setup** dialog box appears.
2. Make sure that your printer is selected and then click **Printer, Setup, Properties** or **Options.** (You may need to click a combination of these buttons.) The **Options** (Windows 3.1) or **Document Properties** dialog box (Windows NT 3.5x) appears.

Note:

*To access the printer driver from the Control Panel under Windows 3.1, in the Main window, double-click the **Control Panel** icon, then the **Printer** icon. Make sure your printer is highlighted, then click **Setup.***

*Under Windows NT 3.5x, in the Main window, open **Print Manager** and make sure your printer is highlighted, then click **Printer** and **Properties**. Finally click **Details** and **Job Default**.*

3. When you finish making your printer driver settings, click **OK** to apply the settings, or click **Cancel** to cancel your changes.
4. Click **OK** in the **Print** or **Print Setup** dialog box to issue the print job.

■ Printing on single sheets

You can load single-sheet paper one sheet at a time using the paper guide of the printer. Your single-sheet paper may be from 100 to 257 mm wide.

You load single sheets as shown in “Running the Self Test” on page 12. For normal use, turn on the printer without pressing any other buttons. When the printer receives data, it begins to print.



Caution:

Use the knob on the right side of the printer only to clear paper jams and only when the printer is off. Otherwise, you may damage the printer or cause it to lose the top-of-form position.

■ Using the Online Manual

The CD-ROM shipped with your printer includes an online manual in PDF format (PDF = Portable Document Format). PDF files can be used on various platforms (e.g. Windows, Macintosh, Unix etc.) and are electronic manuals with the same layout, illustrations, tables etc. to be found in a printed manual. You can display the online manual on your computer screen and print it out on any connected printer, if required.

The following online manual is available:

- **User’s Guide**

Contains complete information on the printer’s functions, maintenance, troubleshooting and technical specifications. Read this manual, if you require detailed information on the LQ-300+.

To access the online manual you need to install Adobe® Acrobat® Reader™ on your system. The Adobe Acrobat Reader program is an easy-to-use application program for displaying and printing online manuals. It offers a wide range of features which allow you to use the online manual without difficulty to find any desired information. You can read the information online on your computer screen or print it out on your printer for later reference. If you need complete information on the Adobe Acrobat Reader, refer to its online help.

If the Acrobat Reader is already installed on your system, you can skip the next section.

Note:

If the Adobe Acrobat Reader is not installed on your system, the manual will not open and an error message will be displayed.

■ Installing the Adobe Acrobat Reader

1. Insert the EPSON printer software CD-ROM into your computer's CD-ROM drive.

Windows Me/98/95/2000/NT 4.0:

The setup program on the CD-ROM will be started automatically and displays the start screen. If the setup program is not started automatically, click the **Start** button, then click **Run** and enter the command **E:\Start.exe** to start the setup program.

Note:

*If your CD-ROM drive has a drive letter other than **E**, substitute the appropriate letter.*

Windows 3.1x/NT 3.5x:

Select **Run** from the **File** menu and enter the command **E:\Start.exe** to start the setup program.

Note:

*If your CD-ROM drive has a drive letter other than **E**, substitute the appropriate letter.*

2. Select the preferred language.
3. Select **Online manuals**, followed by **Install Acrobat Reader** and follow the on-screen instructions.

After the Acrobat Reader has been installed on your system, you can access the online manuals.

■ Accessing the online manual

The setup program on the CD-ROM offers two possibilities to access the online manuals: from the CD-ROM or from your computer hard disk.

Note:

Before you can access an online manual from your hard disk, you first have to install it on your system.

1. Insert the EPSON printer software CD-ROM into your computer's CD-ROM drive.

Windows Me/98/95/2000/NT 4.0:

The setup program on the CD-ROM will be started automatically and displays the start screen. If the setup program is not started automatically, click the **Start** button, then click **Run** and enter the command **E:\Start.exe** to start the setup program.

Note:

*If your CD-ROM drive has a drive letter other than **E**, substitute the appropriate letter.*

Windows 3.1x/NT 3.5x:

Click **Run** on the **File** menu and enter the command **E:\Start.exe** to start the setup program.

Note:

*If your CD-ROM drive has a drive letter other than **E**, substitute the appropriate letter.*

2. Select the preferred language.
3. Select **Online manuals**. The setup program displays the name of the available online manual. Select the online manual.

Select **manual name - Read** if you wish to open the manual from the CD-ROM. The Acrobat Reader will be started automatically and the online manual opened.

Note:

*If you wish to copy the online manuals to your system's hard disk, select **manual name - PC installation**. You can delete the manual from the hard disk at a later date. Follow the instructions on the CD-ROM.*

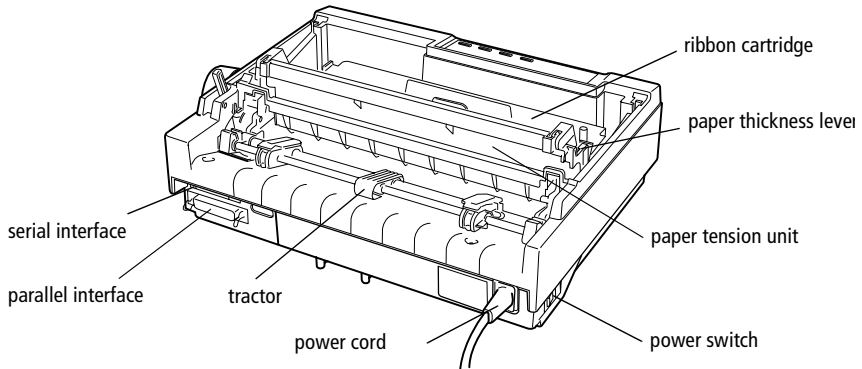
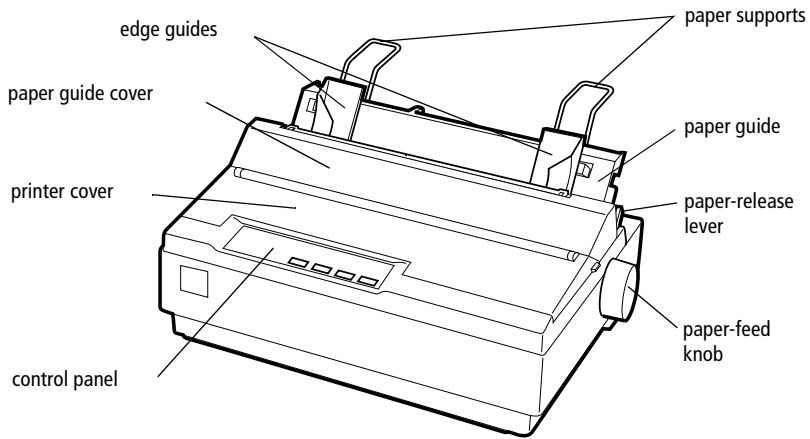
Once the manuals have been installed on the hard disk, proceed as follows:

- **Windows Me/98/95/2000/NT 4.0:**
Click the **Start** button, point to **Programs**, then point to **EPSON**. Click on the name of the online manual. The Acrobat Reader will be started automatically and the online manual opened.
- **Windows 3.1x/NT 3.5x:**
Open the program group **EPSON**. Click on the name of the online manual. The Acrobat Reader will be started automatically and the online manual opened.

■ Customer Support

EPSON's Service and Support hotline is available should you require urgent help. You will find the telephone number and further important information for your country in the Service and Support brochure provided with your printer.

■ Printer Parts



EPSON®

24-Nadel-Matrixdrucker

LQ-300+

Deutsch

Alle Rechte vorbehalten. Kein Teil dieses Handbuchs darf in irgendeiner Form (Druck, Fotokopie, Mikrofilm oder ein anderes Verfahren) ohne die schriftliche Genehmigung der EPSON Deutschland GmbH reproduziert oder unter Verwendung elektronischer Systeme verarbeitet, vervielfältigt oder verbreitet werden. Die hierin enthaltenen Informationen sind ausschließlich für dieses EPSON-Druckermodell bestimmt und nicht auf andere Druckermodelle übertragbar.

Weder die EPSON Deutschland GmbH noch die SEIKO EPSON CORPORATION haften für Schäden infolge von Fehlgebrauch sowie Reparaturen und Änderungen, die von dritter, nicht autorisierter Seite vorgenommen wurden. Dieses Handbuch wurde mit großer Sorgfalt erstellt. Eine Haftung für leicht fahrlässige Fehler, z.B. Druckfehler, ist jedoch ausgeschlossen.

EPSON haftet nicht für Schäden oder Störungen durch Einsatz von Optionen oder Zubehör, wenn dieses nicht ein original EPSON-Produkt ist oder eine ausdrückliche Zulassung der SEIKO EPSON CORPORATION als "EPSON Approved Product" hat.

EPSON und EPSON ESC/P sind eingetragene Marken und EPSON ESC/P2 ist eine Marke der SEIKO EPSON CORPORATION.

Microsoft, Windows und Windows NT sind eingetragene Marken der Microsoft Corporation.

IBM ist eine eingetragene Marke der International Business Machines Corporation.

Adobe und Acrobat sind eingetragene Marken und Acrobat Reader ist eine Marke der Adobe Systems Incorporated.

Hinweis: Alle im Handbuch genannten Bezeichnungen von Erzeugnissen sind Marken der jeweiligen Firmen. Aus dem Fehlen der Markenzeichen ® bzw. ™ kann nicht geschlossen werden, dass die Bezeichnung ein freier Markenname ist.

Copyright © 2000, EPSON Deutschland GmbH, Düsseldorf.

Wo Sie Informationen finden

■ **Schnellstart-Anleitung (dieses Handbuch)**

Liefert grundlegende Informationen zum Aufstellen des Druckers, zum Installieren der Druckersoftware und zum Installieren und Anzeigen der Online-Dokumentation. Außerdem erhalten Sie Anweisungen für den täglichen Gebrauch des Druckers. Bewahren Sie dieses Handbuch in der Nähe Ihres Druckers auf.

■ **Online-Dokumentation**

Auf der mitgelieferten CD-ROM befindet sich ein Handbuch im PDF-Format mit weiteren Informationen, Hinweisen und Tipps.

■ **Online-Hilfe**

Liefert Ihnen ausführliche Informationen und Anweisungen zur Druckersoftware, mit der der Drucker gesteuert wird. Die Online-Hilfe wird automatisch mit der Druckersoftware installiert.

■ Inhalt

Inhalt	3
Handbuch-Konventionen	4
Symbol Vorsicht! Druckkopf heiß	4
ENERGY STAR®-Kompatibilität	4
Drucker auspacken	5
Standort für den Drucker wählen	6
Drucker zusammenbauen	7
Walzenhandrad anbringen	7
Papierstützen anbringen	8
Farbbandkassette installieren oder austauschen	9
Drucker an die Stromversorgung anschließen	12
Selbsttest	12
Drucker an den Computer anschließen	15
Parallele Schnittstelle	16
Serielle Schnittstelle	17
Druckersoftware installieren	18
Druckersoftware unter Windows Me, 98, 95, 2000 oder NT 4.0 installieren	19
Software unter Windows 3.1 bzw. NT 3.5x installieren	20
Für DOS-Programme	21
Drucken	21
Druckertreiber aufrufen	21
Einzelblattpapier bedrucken	23
Online-Handbuch verwenden	23
Adobe Acrobat Reader installieren	24
Online-Handbuch aufrufen	24
Kundendienst	25
Druckerteile	26

■ Handbuch-Konventionen

Symbole im Handbuch:



Vorsicht:

Anmerkungen dieser Art müssen unbedingt beachtet werden, um Körperverletzungen zu vermeiden.



Achtung:

Anmerkungen dieser Art müssen beachtet werden, um Schäden am Drucker oder Computer zu vermeiden.

Hinweise

enthalten wichtige Informationen und hilfreiche Tipps zur Arbeit mit dem Drucker.

■ Symbol Vorsicht! Druckkopf heiß



Dieses Symbol am Druckkopf gibt an, dass der Druckkopf möglicherweise noch heiß ist. Berühren Sie den Druckkopf niemals direkt nach einem Druckvorgang. Warten Sie immer ein paar Minuten, bis er abgekühlt ist.

■ ENERGY STAR®-Kompatibilität

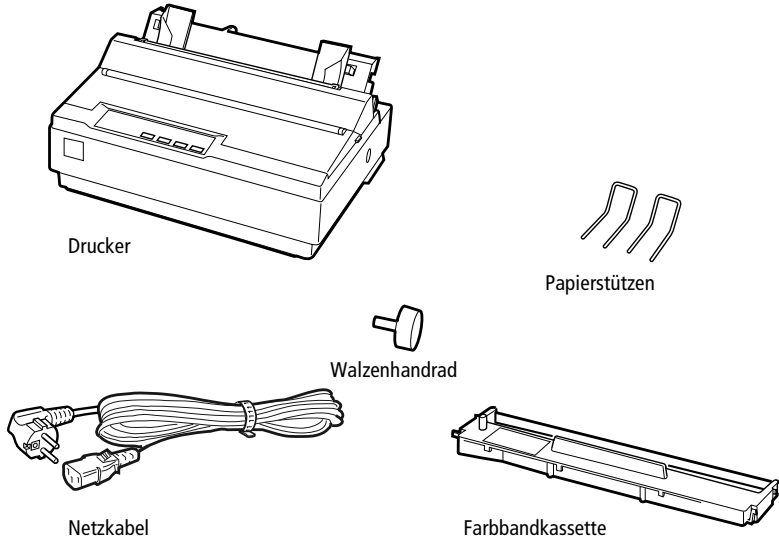


EPSON, als Partner von ENERGY STAR®, bestätigt, dass dieses Produkt den ENERGY STAR®-Richtlinien zur sinnvollen Energienutzung entspricht.

Das internationale ENERGY STAR® Office Equipment-Programm ist eine freiwillige Partnerschaft mit Vertretern der Computer- und Bürogeräteindustrie zur Förderung der Entwicklung energiesparender Computer, Monitore, Drucker, Faxgeräte, Kopiergeräte und Scanner mit dem Ziel, die durch Energieerzeugung bedingte Luftverschmutzung zu reduzieren.

■ Drucker auspacken

Zum Lieferumfang gehören eine CD-ROM mit der Druckersoftware, ein Hinweisblatt sowie die unten abgebildeten Teile. Überprüfen Sie beim Auspacken des Druckers, ob alle Teile vorhanden und unbeschädigt sind.



Hinweis:

Für manche Bestimmungsorte wird der Drucker mit angeschlossenem Netzkabel geliefert. Vergewissern Sie sich, dass der Netzstecker des beige packten Netzkabels passend für Ihre Steckdose ist.



Achtung:

Der Drucker kann nicht auf andere Spannungswerte umgerüstet werden. Vergewissern Sie sich, dass die auf dem Typenschild an der Rückseite des Druckers angegebene Nennspannung mit der Nennspannung Ihrer Steckdose übereinstimmt. Andernfalls wenden Sie sich an Ihren Fachhändler.

Bevor Sie den Drucker aufstellen und an das Netz anschließen, müssen Sie die Transportsicherungen und das Verpackungsmaterial vollständig entfernen. Beachten Sie dazu die Anweisungen auf dem beige packten Hinweisblatt.

Bewahren Sie Verpackungs- und Transportsicherungsmaterial sorgfältig auf, falls Sie den Drucker später einmal transportieren müssen. Soll der Drucker transportiert werden, verpacken Sie ihn sorgfältig wieder im Originalkarton. Ist die Originalverpackung nicht mehr vorhanden, verwenden Sie anderes geeignetes Verpackungsmaterial.

■ Standort für den Drucker wählen

Bei der Auswahl des Druckerstandortes sollten Sie Folgendes berücksichtigen.

- Die Stellfläche für den Drucker muss stabil und absolut eben sein. Wenn der Drucker geneigt steht, kann er nicht störungsfrei arbeiten.
- Stellen Sie den Drucker in der Nähe des Computers auf, so dass das Schnittstellenkabel problemlos angeschlossen werden kann.
- Stellen Sie den Drucker für Bedienung und Wartung frei zugänglich auf.
- Wählen Sie den Stand- bzw. Lagerungsort so, dass der Drucker vor starken Temperatur- und Feuchtigkeitsschwankungen sowie direkter Sonneneinstrahlung und starken Licht- oder Wärmequellen geschützt ist.
- Achten Sie darauf, dass der Drucker nicht Vibrationen und Stößen ausgesetzt ist.
- Stellen Sie den Drucker so auf, dass der Netzstecker jederzeit problemlos aus der Steckdose gezogen werden kann.
- Schließen Sie den Drucker nicht an schaltbare oder timergesteuerte Steckdosen an. Durch eine versehentliche Stromunterbrechung gehen möglicherweise Daten im Speicher von Computer oder Drucker verloren. Benutzen Sie keine Steckdosen, von deren Stromkreis auch andere leistungintensive Verbraucher Spannung abnehmen, so dass es zu Spannungsschwankungen kommen kann.
- Verwenden Sie den Computer und den Drucker nicht in der Nähe potenzieller elektromagnetischer Störfelder (z.B. Lautsprecher oder Basisstationen von Funktelefonen).
- Schließen Sie den Drucker nur an geerdete Steckdosen an, und verwenden Sie keine Adapterstecker.

Für den Einsatz eines Druckertisches müssen folgende Voraussetzungen erfüllt sein:

- Der Tisch muss eine Tragfähigkeit von mindestens 20 kg haben.
- Verwenden Sie keinen Tisch, auf dem der Drucker schräg stehen würde. Der Drucker muss absolut gerade stehen.
- Achten Sie darauf, dass die Papierzufuhr nicht durch das Netz- oder Schnittstellenkabel behindert wird. Wenn möglich, fixieren Sie die Kabel an einem Bein des Druckertisches.

■ Drucker zusammenbauen

Folgen Sie den Anweisungen in diesem Abschnitt, um den Drucker betriebsbereit zu machen.

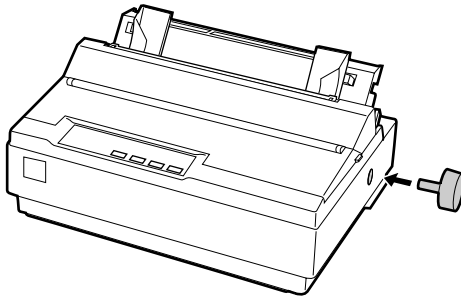
Die Druckerteile und ihre Bezeichnungen werden auf der letzten Seite dieses Handbuchs im Abschnitt "Druckerteile" aufgeführt.

■ Walzenhandrad anbringen

Wenn Sie den Drucker zusammenbauen, müssen Sie als Erstes das Walzenhandrad anbringen.

Gehen Sie folgendermaßen vor, um das Walzenhandrad zu installieren:

1. Setzen Sie das Walzenhandrad in die Öffnung an der Seite des Druckers, und drehen Sie es langsam, bis es auf die Welle gleitet.

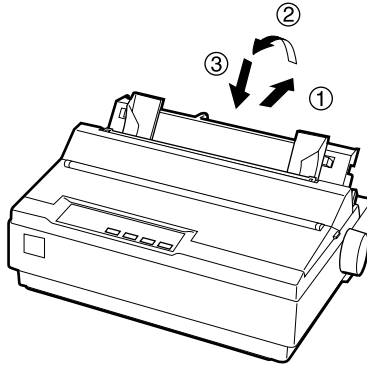


2. Drücken Sie das Walzenhandrad fest ein, bis es eng am Druckergehäuse anliegt.

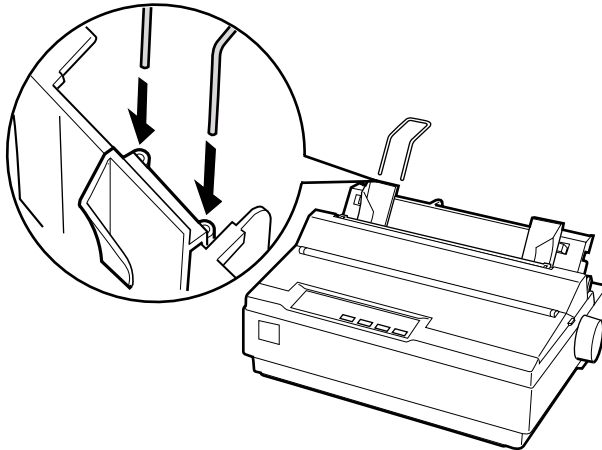
■ Papierstützen anbringen

Bevor Sie den Drucker in Betrieb nehmen, müssen Sie die Papierstützen anbringen. Gehen Sie folgendermaßen vor, um die Papierstützen zu installieren:

1. Ziehen Sie die Papierführung nach hinten. Richten Sie sie auf, und drücken Sie sie anschließend nach unten, bis sie einrastet.



2. Halten Sie eine der Papierstützen so, dass Sie sie mit ihren Enden in die Aussparungen an den Papierführungsschienen einsetzen können.



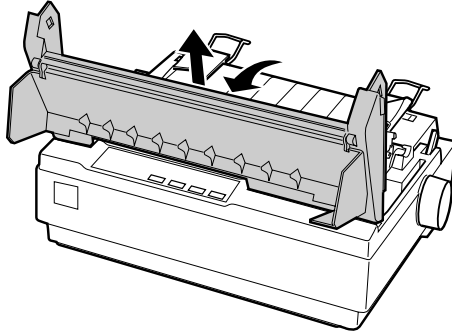
3. Wiederholen Sie Schritt 2 für die andere Papierstütze.

■ Farbbandkassette installieren oder austauschen

Stellen Sie sicher, dass der Drucker nicht an die Stromversorgung angeschlossen ist, bevor Sie die Farbbandkassette installieren.

Gehen Sie folgendermaßen vor, um die Farbbandkassette zu installieren oder auszutauschen:

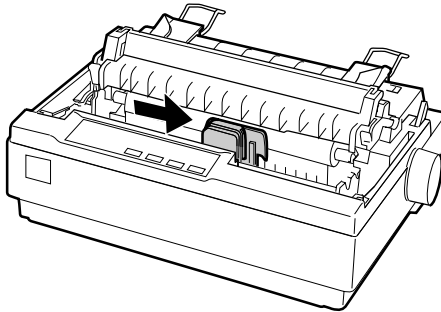
1. Klappen Sie die Druckerabdeckung hoch, und ziehen Sie sie dann nach oben ab.



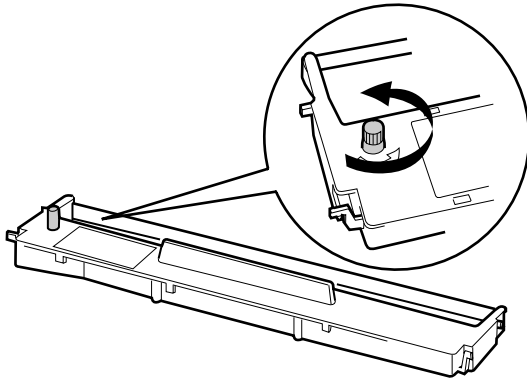
Vorsicht:

Bewegen Sie den Druckkopf nie bei eingeschaltetem Drucker, da dies das Gerät beschädigen kann. Unmittelbar nach einem Druckvorgang ist der Druckkopf noch heiß. Lassen Sie ihn einige Minuten abkühlen, bevor Sie ihn berühren.

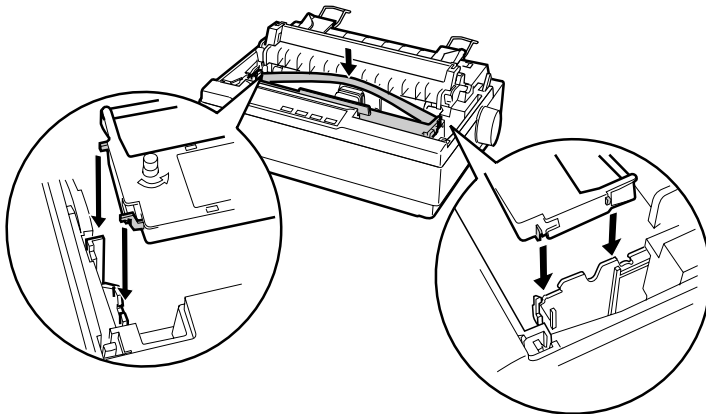
2. Schieben Sie anschließend den Druckkopf zur Mitte des Druckers.



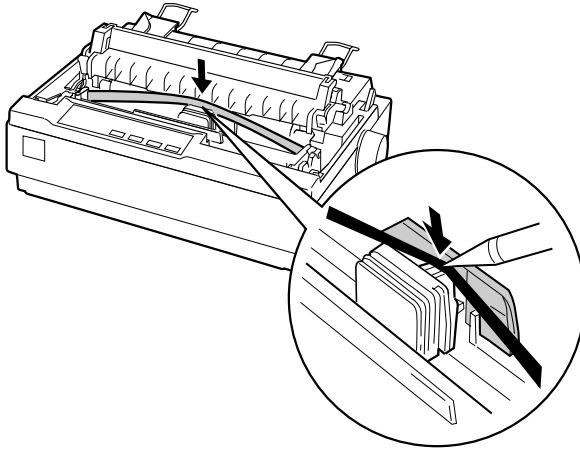
3. Drehen Sie den Knopf zum Spannen des Farbbandes in Pfeilrichtung, so dass das Farbband straff gespannt ist und sich leichter installieren lässt.



4. Setzen Sie die Farbbandkassette wie in der folgenden Abbildung dargestellt in den Drucker ein; drücken Sie anschließend beide Seiten der Kassette leicht an, bis die Kunststoffhaken einrasten.



5. Führen Sie das Farbband mit einem spitzen Objekt (z.B. einem Kugelschreiber) zwischen Druckkopf und Farbbandführung hindurch. Sie können dies durch Drehen am Spannkopf unterstützen; das Farbband darf weder verdreht noch geknittert sein.



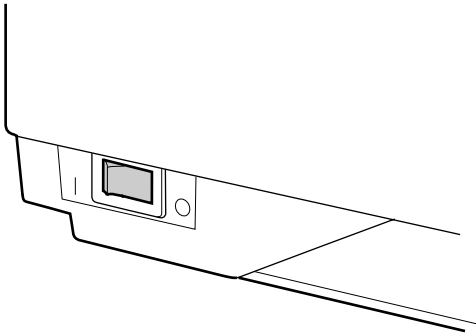
6. Schieben Sie den Druckkopf nach links und rechts, um sicherzustellen, dass er sich leicht bewegen lässt.
7. Bringen Sie die Druckerabdeckung wieder an, und schließen Sie sie.

Wenn die Ausdrücke zu blass werden, muss die Farbbandkassette ausgetauscht werden. Zum Herausnehmen der Farbbandkassette müssen Sie zunächst den Druckkopf zur Mitte des Druckers schieben. Heben Sie anschließend die Farbbandkassette an beiden Enden an, und nehmen Sie sie aus dem Drucker heraus.

■ Drucker an die Stromversorgung anschließen

Gehen Sie folgendermaßen vor, um den Drucker an die Stromversorgung anzuschließen:

1. Stellen Sie sicher, dass der Drucker ausgeschaltet ist. Er ist ausgeschaltet, wenn die Seite ○ des Netzschalters heruntergedrückt ist.



2. Vergewissern Sie sich, dass die auf dem Typenschild an der Rückseite des Druckers angegebene Betriebsspannung mit der Steckdosenspannung übereinstimmt.



Achtung:

Ist dies nicht der Fall, darf der Drucker keinesfalls an die Stromversorgung angeschlossen werden. Wenden Sie sich an Ihren EPSON-Händler.

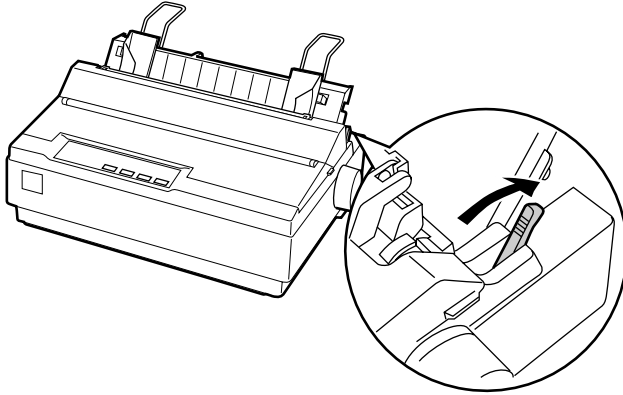
3. Wenn das Netzkabel druckerseitig noch nicht angeschlossen ist, stecken Sie es in den Netzanschluss an der Rückseite des Druckers.
4. Stecken Sie den Netzstecker am anderen Ende des Kabels in eine ordnungsgemäß geerdete Steckdose.

■ Selbsttest

Mit der druckereigenen Selbsttestfunktion können Sie überprüfen, ob der Drucker korrekt funktioniert. Sie können den Test entweder mit Endlospapier oder mit Einzelblättern durchführen. In diesem Abschnitt wird die einfachere Methode mit Einzelblättern beschrieben.

Gehen Sie folgendermaßen vor, um den Selbsttest durchzuführen:

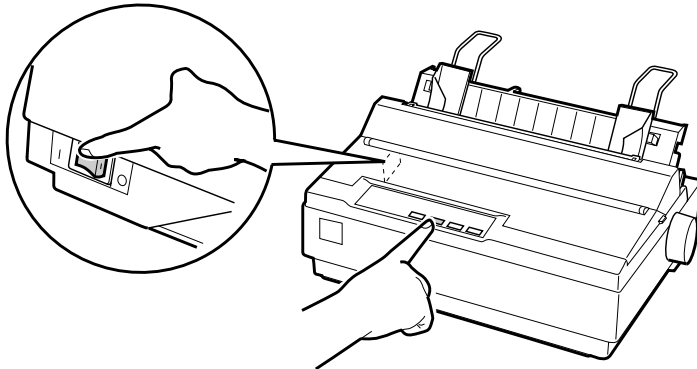
1. Stellen Sie sicher, dass der Drucker ausgeschaltet ist. Stellen Sie außerdem sicher, dass sich der Papierwahlhebel hinten in der Position für Einzelblattpapier befindet und dass die Papierführung aufgerichtet ist, wie in der folgenden Abbildung dargestellt.



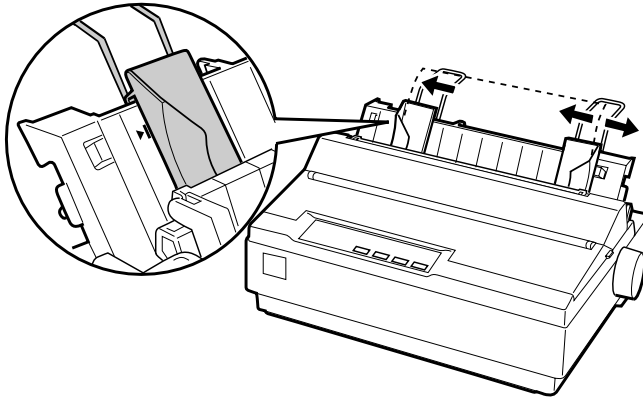
Achtung:

Verwenden Sie für den Selbsttest Papier mit einer Breite von mindestens 210 mm, da der Druckkopf ansonsten direkt auf die Walze drückt und dadurch beschädigt werden kann.

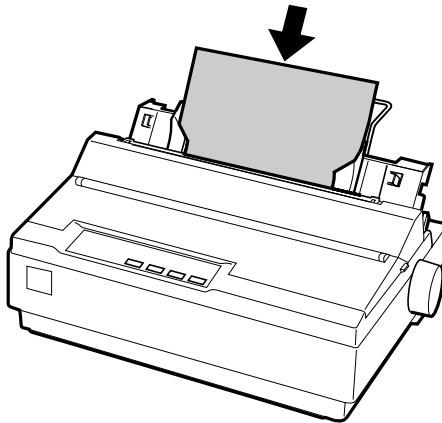
2. Halten Sie die Taste **LF/FF** gedrückt, und schalten Sie den Drucker ein.



3. Schieben Sie die linke Papierführungsschiene nach links, so dass sie an der Randmarkierung einrastet. Stellen Sie anschließend die rechte Papierführungsschiene auf die Breite des Papiers ein.



4. Schieben Sie ein Einzelblatt zwischen die Papierführungsschienen, bis Sie einen Widerstand spüren. Der Drucker zieht das Blatt automatisch ein und beginnt mit dem Drucken des Selbsttests.



5. Wenn Sie den Selbsttest vorübergehend unterbrechen wollen, drücken Sie die Taste **PAUSE**.
6. Wenn Sie den Selbsttest beenden wollen, stellen Sie sicher, dass der Drucker nicht gerade druckt. Drücken Sie die Taste **LF/FF**, um das Blatt auszugeben, und schalten Sie anschließend den Drucker aus.

Die folgende Abbildung zeigt einen Ausschnitt eines typischen Selbsttestausdrucks:

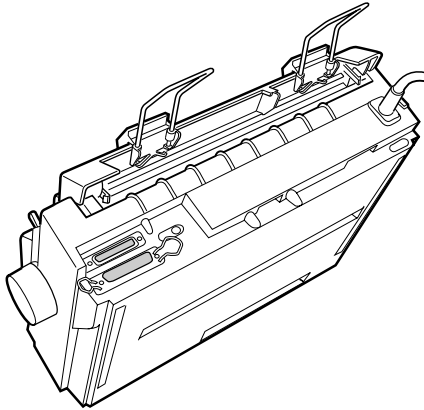
```
! "#$%&'()*+,-./0123456789:;<=>?@ABCDEFGHI
! "#$%&'()*+,-./0123456789:;<=>?@ABCDEFGHI
"#$%&'()*+,-./0123456789:;<=>?@ABCDEFGHIJ
#$%&'()*+,-./0123456789:;<=>?@ABCDEFGHIJK
$%&'()*+,-./0123456789:;<=>?@ABCDEFGHIJKL
%&'()*+,-./0123456789:;<=>?@ABCDEFGHIJKLM
&'()*+,-./0123456789:;<=>?@ABCDEFGHIJKLMN
```

Hinweis:

Wenn die Testseite nicht korrekt ausgedruckt wurde, lesen Sie Kapitel 4 "Fehlerbehebung" im Online-Benutzerhandbuch. Arbeiten der Drucker ordnungsgemäß, fahren Sie mit dem nächsten Abschnitt fort.

■ Drucker an den Computer anschließen

Ihr Drucker verfügt sowohl über eine IEEE-1284-kompatible parallele Schnittstelle als auch über eine serielle EIA-232D-Schnittstelle. Bevor Sie das Schnittstellenkabel anschließen, sollten Sie den Drucker aufrecht hinstellen, wie in der folgenden Abbildung dargestellt. Dadurch erreichen Sie den Schnittstellenanschluss leichter.



Verbinden Sie Ihren Computer wie im Folgenden beschrieben mit der gewünschten Schnittstelle.

Hinweis:

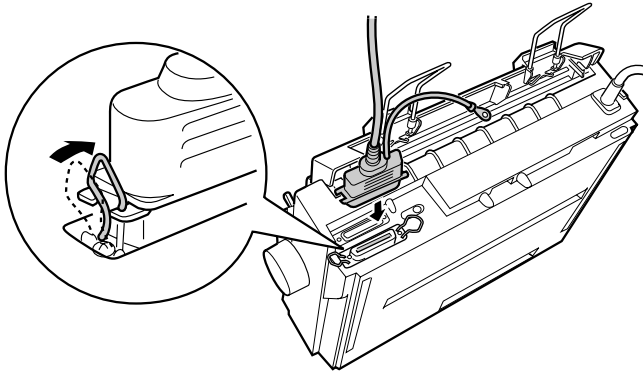
Sie können auch beide Schnittstellen verwenden; der Drucker schaltet automatisch zur jeweiligen Schnittstelle um, wenn er Daten empfängt.

■ Parallele Schnittstelle

Für die parallele Schnittstelle benötigen Sie ein abgeschirmtes und verdrehtes Kabel von höchstens 2 m Länge.

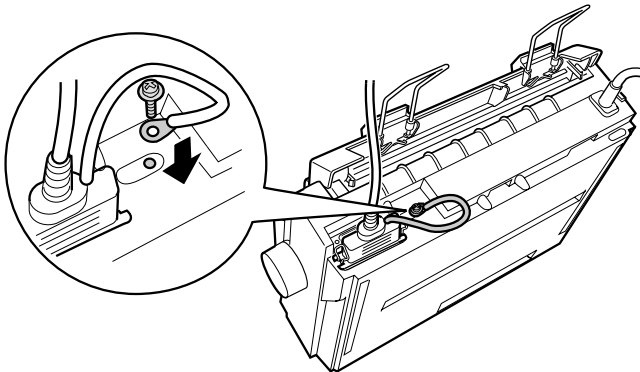
Gehen Sie folgendermaßen vor, um den Drucker über die parallele Schnittstelle an den Computer anzuschließen:

1. Schalten Sie den Computer und den Drucker aus.
2. Stecken Sie das eine Ende des parallelen Schnittstellenkabels fest auf den parallelen Schnittstellenanschluss des Druckers. Drücken Sie die Drahtklemmen zusammen, bis sie auf beiden Seiten einrasten.



Hinweis:

Befindet sich ein Massedraht am Ende des Kabels, verbinden Sie diesen mit dem Masseanschluss rechts neben dem parallelen Schnittstellenanschluss.



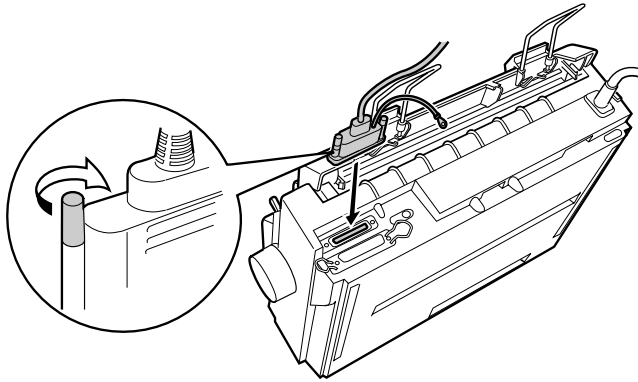
3. Stecken Sie das andere Ende des parallelen Schnittstellenkabels auf den parallelen Schnittstellenanschluss des Computers. (Befindet sich ein Massedraht am Ende des Kabels, verbinden Sie diesen mit dem Masseanschluss an der Rückseite des Computers.)

■ Serielle Schnittstelle

Für die serielle Schnittstelle benötigen Sie ein serielles Schnittstellenkabel mit einer DB-25-Stiftbuchse am Druckerende.

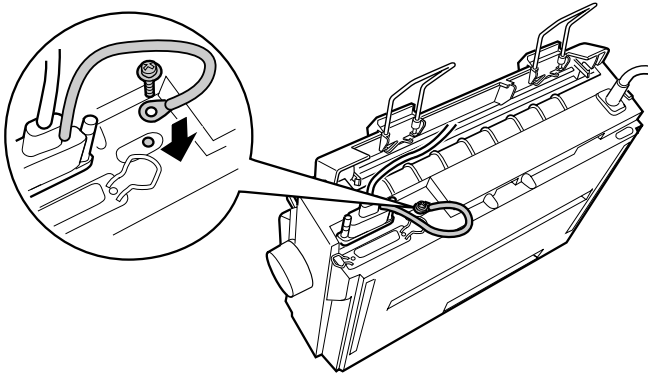
Gehen Sie folgendermaßen vor, um den Drucker über die serielle Schnittstelle an den Computer anzuschließen:

1. Schalten Sie den Computer und den Drucker aus.
2. Stecken Sie das eine Ende des seriellen Schnittstellenkabels fest auf den seriellen Schnittstellenanschluss des Druckers. Ziehen Sie die Schrauben auf beiden Seiten des Anschlusses fest an.



Hinweis:

Befindet sich ein Massedraht am Ende des Kabels, verbinden Sie diesen mit dem Masseanschluss rechts neben dem seriellen Schnittstellenanschluss.



3. Stecken Sie das andere Ende des seriellen Schnittstellenkabels auf den seriellen Schnittstellenanschluss des Computers, und ziehen Sie anschließend die Schrauben auf beiden Seiten des Anschlusses fest an. (Befindet sich ein Massedraht am Ende des Kabels, verbinden Sie diesen mit dem Masseanschluss an der Rückseite des Computers.)
4. Ändern Sie gegebenenfalls Baudrate oder Parität im SETUP-Modus. Nähere Informationen dazu erhalten Sie im Abschnitt "Standardeinstellungen des Druckers" in Kapitel 2 des Online-Benutzerhandbuchs.

■ Druckersoftware installieren

Wenn Sie den Drucker an den Computer angeschlossen haben, müssen Sie die Software von der mitgelieferten CD-ROM installieren.

Die Druckersoftware umfasst:

- **Druckertreiber**
Der Druckertreiber ist ein spezielles Programm, über das die auf dem Computer installierten Anwendungen Befehle an den Drucker schicken. Diese Befehle steuern Druckerfunktionen wie Druckqualität, Auflösung und Papierformat.
- **EPSON Status Monitor 3 (Windows Me, 98, 95, 2000 oder NT 4.0)**
Das Utility EPSON Status Monitor 3 informiert Sie über Druckerfehler und zeigt Informationen zum Druckerstatus an.
- **EPSON Remote! (ein DOS-Utility zur Druckerkonfiguration)**
Mit dem Utility EPSON Remote! können Sie unter DOS Druckereinstellungen vom Computer aus vornehmen. Nähere Informationen dazu erhalten Sie im Abschnitt "Das Utility EPSON Remote!" in Kapitel 3 des Online-Benutzerhandbuchs.

■ Druckersoftware unter Windows Me, 98, 95, 2000 oder NT 4.0 installieren

Gehen Sie folgendermaßen vor, um die Druckersoftware unter Windows Me, 98, 95, 2000 oder NT 4.0 zu installieren:

Hinweis:

- *Um die Druckersoftware unter Windows 2000 oder NT 4.0 zu installieren, benötigen Sie möglicherweise Administratorrechte. Erkundigen Sie sich bei Ihrem Netzwerkadministrator.*
- *Wenn Sie eine Diskettenversion der auf der CD-ROM befindlichen Druckersoftware erstellen möchten, legen Sie die CD-ROM in das CD-ROM-Laufwerk ein, und starten Sie das START.EXE-Programm. Klicken Sie in dem angezeigten Dialogfeld auf die Schaltfläche **Druckertreiberdisketten erstellen**, und folgen Sie den Anweisungen am Bildschirm.*
- *Wenn Sie die Diskettenversion der EPSON-Druckersoftware verwenden, erstellen Sie vor der Installation eine Sicherungskopie der Disketten.*

1. Schalten Sie den Drucker und den Computer aus.
2. Schalten Sie den Computer ein. Windows wird automatisch gestartet. Schalten Sie anschließend den Drucker ein.
3. Legen Sie die CD-ROM mit der Druckersoftware in das CD-ROM-Laufwerk ein. Die AutoPlay-Funktion des CD-ROM-Laufwerks startet automatisch das Installationsprogramm auf der CD-ROM.

Falls das Installationsprogramm nicht automatisch gestartet wird, klicken Sie auf **Start** und anschließend auf **Ausführen**. Geben Sie im Dialogfeld **Ausführen** in die Befehlszeile den Buchstaben Ihres CD-ROM-Laufwerks ein (z.B. **E:**), gefolgt von dem Befehl **START.EXE** (z.B. **E:\START.EXE**), und klicken Sie anschließend auf **OK**.

Hinweis:

E steht für die Laufwerkskennung Ihres CD-ROM-Laufwerks und kann auch anders lauten. Die Installation beginnt. Die weitere Vorgehensweise erfolgt menügesteuert, d.h., Sie können die für Sie relevanten Optionen aus einer Auswahlliste durch einfaches Anklicken mit der Maus auswählen. Der Rest der Installation verläuft automatisch, so dass keine weiteren Eingaben Ihrerseits erforderlich sind.

4. Wählen Sie die gewünschten Optionen aus, und folgen Sie den Anweisungen am Bildschirm.
5. Klicken Sie nach erfolgreicher Installation der Druckersoftware auf das Tür-Symbol, um das Installationsprogramm zu verlassen.

Hinweis:

- *Wenn nach dem Einschalten des Computers das Dialogfeld **Neue Hardwarekomponente gefunden** oder ein anderer Assistent angezeigt wird, klicken Sie auf **Abbrechen**, und gehen Sie wie oben beschrieben vor.*
- *Die Installationszeit kann variieren, je nachdem welchen Computer Sie verwenden.*

Nähere Informationen zum Aufrufen und Verwenden der Software erhalten Sie in Kapitel 3 "Druckersoftware" im Online-*Benutzerhandbuch*. Sobald Sie den Druckertreiber unter Windows 95, 98, Me, 2000 oder NT 4.0 installiert haben, können Sie das Utility EPSON Status Monitor 3 installieren. Nähere Informationen zur Installation und Verwendung des Utility EPSON Status Monitor 3 erhalten Sie im Abschnitt "Das Utility EPSON Status Monitor 3" in Kapitel 3 des Online-*Benutzerhandbuchs*.

■ Software unter Windows 3.1 bzw. NT 3.5x installieren

Gehen Sie folgendermaßen vor, um die Druckersoftware unter Windows 3.1 oder NT 3.5x zu installieren:

Hinweis:

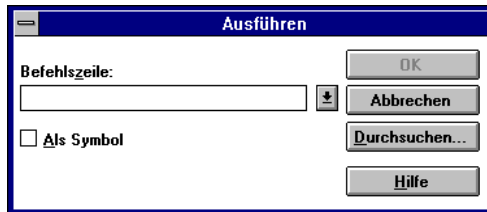
Um die Druckersoftware unter Windows NT 3.5x zu installieren, benötigen Sie möglicherweise Administratorrechte. Erkundigen Sie sich bei Ihrem Netzwerkadministrator.

1. Starten Sie Windows 3.1 bzw. Windows NT 3.5x, und öffnen Sie den Programm-Manager.
2. Legen Sie die CD-ROM mit der Druckersoftware in das CD-ROM-Laufwerk ein.

Hinweis:

Verfügt Ihr System nicht über ein CD-ROM-Laufwerk, können Sie zu Installationszwecken eine Diskettenversion der Druckersoftware anfertigen.

3. Wählen Sie im Menü **Datei** den Befehl **Ausführen**. Das Dialogfeld **Ausführen** wird angezeigt. Geben Sie in die **Befehlszeile** **E:\START** ein, und klicken Sie auf **OK**.



Hinweis:

E steht für die Laufwerkskennung Ihres CD-ROM-Laufwerks und kann auch anders lauten.

Die Installation beginnt. Die weitere Vorgehensweise erfolgt menügesteuert, d.h., Sie können die für Sie relevanten Optionen aus einer Auswahlliste durch einfaches Anklicken mit der Maus auswählen. Der Rest der Installation verläuft automatisch, so dass keine weiteren Eingaben Ihrerseits erforderlich sind.

4. Wählen Sie die gewünschten Optionen aus, und folgen Sie den Anweisungen am Bildschirm.

5. Klicken Sie nach erfolgreicher Installation der Druckersoftware auf das Tür-Symbol, um das Installationsprogramm zu verlassen.

Nach der Installation des Druckertreibers wird der LQ-300+ automatisch als Standarddrucker für Windows-Anwendungen ausgewählt.

Nähere Informationen zum Aufrufen und Verwenden der Software erhalten Sie in Kapitel 3 "Druckersoftware" im Online-*Benutzerhandbuch*.

■ Für DOS-Programme

Bei den meisten DOS-Anwendungen müssen Sie den Drucker während der Programminstallation oder beim Konfigurieren des Programms auswählen.

Wenn Ihre Anwendung einen Befehl enthält, mit dem Sie Ihren Drucker aus einer Liste auswählen können, wählen Sie den EPSON LQ-300+ aus. Wird der LQ-300+ nicht aufgeführt, wählen Sie den ersten verfügbaren Drucker aus der folgenden Liste:

LQ-300	FX-86e/800
LQ-580/LQ-570e	JX-80
LX-810/850	EX-800
LX-800	EPSON LQ-Drucker
LX-80/86	EPSON FX-Drucker
FX-850	EPSON-Drucker

Wenn Sie in Farbe drucken wollen, müssen Sie den LQ-300 auswählen. Die übrigen Drucker unterstützen keinen Farbdruck.

Hinweis:

Falls in der Druckerliste kein geeigneter Drucker aufgeführt wird, erkundigen Sie sich bei Ihrem Software-Händler nach einer neueren Programmversion.

■ Drucken

■ Druckertreiber aufrufen

Gehen Sie folgendermaßen vor, um den Druckertreiber aufzurufen:

Hinweis:

Die folgenden Anweisungen zum Aufrufen des Druckertreibers sind allgemein gehalten. Das Verfahren kann je nach verwendeter Anwendung variieren. Nähere Informationen dazu erhalten Sie in der Dokumentation zur jeweiligen Anwendung.

■ Windows 95/98/2000/Me und Windows NT 4.0

1. Wählen Sie im Menü **Datei** Ihrer Anwendung den Befehl **Drucker einrichten** bzw. **Drucken** aus. Das Dialogfeld **Drucken** bzw. **Druckereinrichtung** wird angezeigt.

2. Stellen Sie sicher, dass der richtige Drucker ausgewählt ist, und klicken Sie anschließend auf **Drucker, Einrichten, Eigenschaften** oder **Optionen**. (Möglicherweise müssen Sie eine Kombination dieser Schaltflächen anklicken.) Das Dialogfeld **Eigenschaften** (Windows 95/98/2000/Me) bzw. **Dokumenteigenschaften** (Windows NT 4.0) wird angezeigt. Es enthält die Registerkarten **Papier** und **Grafik** (Windows 95/98/2000/Me) bzw. **Seite einrichten** und **Weitere Optionen** (Windows NT 4.0). In den Registerkarten können Sie die Druckertreibereinstellungen vornehmen.
3. Um eine Registerkarte anzuzeigen, klicken Sie auf den entsprechenden Tab. Nähere Informationen zu den Einstellungen erhalten Sie in Kapitel 3 "Druckersoftware" im Online-Benutzerhandbuch.

Hinweis:

*Wenn Sie den Druckertreiber aus dem Menü **Start** heraus aufrufen wollen, klicken Sie auf **Start**, zeigen Sie auf **Einstellungen**, und klicken Sie auf **Drucker**, um das Fenster **Drucker** zu öffnen. Klicken Sie mit der rechten Maustaste auf das Symbol Ihres Druckers, und klicken Sie auf **Eigenschaften** (Windows 95/98/2000/Me) bzw. **Standardeinstellungen für Dokument** (Windows NT 4.0).*

4. Wenn Sie die Einstellungen für den Druckertreiber vorgenommen haben, klicken Sie auf **OK**, um die Einstellungen zu übernehmen, oder klicken Sie auf **Standard wiederherstellen** (Windows 95/98/Me/2000) bzw. auf **Abbrechen** (Windows NT 4.0), um die Einstellungen auf ihre ursprünglichen Werte zurückzusetzen.
5. Klicken Sie im Dialogfeld **Drucken** bzw. **Druckereinrichtung** auf **OK**, um den Druckauftrag zu starten.

■ **Windows 3.1 und Windows NT 3.5x**

1. Wählen Sie im Menü **Datei** Ihrer Anwendung den Befehl **Drucker einrichten** bzw. **Drucken** aus. Das Dialogfeld **Drucken** bzw. **Druckereinrichtung** wird angezeigt.
2. Stellen Sie sicher, dass der richtige Drucker ausgewählt ist, und klicken Sie anschließend auf **Drucker, Einrichten, Eigenschaften** oder **Optionen**. (Möglicherweise müssen Sie eine Kombination dieser Schaltflächen anklicken.) Das Dialogfeld **Optionen** (Windows 3.1) bzw. **Dokumenteigenschaften** (Windows NT 3.5x) wird angezeigt.

Hinweis:

*Um unter Windows 3.1 den Druckertreiber über die Systemsteuerung aufzurufen, doppelklicken Sie im Hauptfenster auf das Symbol **Systemsteuerung** und anschließend auf das Symbol **Drucker**. Stellen Sie sicher, dass Ihr Drucker ausgewählt ist, und klicken Sie anschließend auf **Einrichten**.*

*Öffnen Sie unter Windows NT 3.5x im Hauptfenster den Druck-Manager und vergewissern Sie sich, dass der richtige Drucker ausgewählt ist. Klicken Sie dann auf **Drucker** und anschließend auf **Eigenschaften**. Klicken Sie auf **Details** und anschließend auf **Standard**.*

3. Wenn Sie die Einstellungen für den Druckertreiber abgeschlossen haben, klicken Sie auf **OK**, um die Einstellungen zu übernehmen, oder auf **Abbrechen**, um die Einstellungen auf ihre Standardwerte zurückzusetzen.
4. Klicken Sie im Dialogfeld **Drucken** bzw. **Druckereinrichtung** auf **OK**, um den Druckauftrag zu starten.

■ Einzelblattpapier bedrucken

Einzelblattpapier kann Blatt für Blatt über die Papierführung an der Oberseite des Druckers zugeführt werden. Die Papierbreite des Einzelblattpapiers muss 100 bis 257 mm betragen.

Zum Einlegen von Einzelblattpapier gehen Sie wie im Abschnitt "Selbsttest" on page 12 beschrieben vor. Für die normale Verwendung schalten Sie den Drucker ein, ohne dabei irgendwelche Tasten zu drücken. Sobald der Drucker Daten empfängt, beginnt er mit dem Drucken.



Achtung:

Verwenden Sie das Walzenhandrad rechts am Drucker nur, um Papierstaus zu beseitigen. Der Drucker muss dabei ausgeschaltet sein. Andernfalls wird möglicherweise der Drucker beschädigt, oder die Druckstart- bzw. Abtrennposition geht verloren.

■ Online-Handbuch verwenden

Die mit dem Drucker gelieferte CD-ROM enthält ein Online-Handbuch im PDF-Format (PDF = Portable Document Format). PDF-Dateien können auf verschiedenen Plattformen (z.B. Windows, Macintosh, Unix, usw.) verwendet werden. Es handelt sich hierbei um elektronische Handbücher mit dem gleichen Layout sowie den gleichen Abbildungen und Tabellen, wie sie auch in einer gedruckten Dokumentation enthalten sind. Sie können das Online-Handbuch am Computerbildschirm anzeigen und bei Bedarf auf einem angeschlossenen Drucker ausdrucken lassen.

Das folgende Online-Handbuch ist verfügbar:

- **Benutzerhandbuch**

Enthält ausführliche Informationen zu Druckerfunktionen, Wartungsmaßnahmen und Fehlerbehebung sowie die technischen Daten. Hier finden Sie detaillierte Informationen zum LQ-300+.

Um das Online-Handbuch öffnen und lesen zu können, muss Adobe[®] Acrobat[®] Reader[™] auf Ihrem System installiert sein. Adobe Acrobat Reader ist ein einfach zu bedienendes Programm zum Anzeigen und Drucken von Online-Handbüchern. Es bietet vielfältige Funktionen zum problemlosen Auffinden der gesuchten Informationen im Handbuch. Sie können sich die Informationen am Bildschirm durchlesen oder sie zur späteren Verwendung ausdrucken. Ausführliche Informationen zum Adobe Acrobat Reader erhalten Sie in der Online-Dokumentation des Programms. Sollte Acrobat Reader auf Ihrem System bereits installiert sein, können Sie diesen Abschnitt überspringen und mit dem nächsten fortfahren.

Hinweis:

Wenn Adobe Acrobat Reader nicht auf Ihrem System installiert ist, wird das Handbuch nicht geöffnet, und eine Fehlermeldung wird angezeigt.

■ Adobe Acrobat Reader installieren

1. Legen Sie die CD-ROM mit der Druckersoftware in das CD-ROM-Laufwerk des Computers ein.

Windows 95/98/Me/NT 4.0/2000

Das Installationsprogramm startet automatisch, und der Startbildschirm wird angezeigt. Wenn das Installationsprogramm nicht automatisch startet, klicken Sie auf **Start** und anschließend auf **Ausführen**, und geben Sie den Befehl **E:\Start.exe** in die Befehlszeile ein.

Hinweis:

E steht für die Laufwerkskennung Ihres CD-ROM-Laufwerks und kann auch anders lauten.

Windows 3.1x/NT 3.5x:

Wählen Sie im Menü **Datei** den Befehl **Ausführen** aus, und geben Sie in die Befehlszeile den Befehl **E:\Start.exe** ein, um das Installationsprogramm aufzurufen.

Hinweis:

E steht für die Laufwerkskennung Ihres CD-ROM-Laufwerks und kann auch anders lauten.

2. Wählen Sie die gewünschte Sprache aus.
3. Wählen Sie **Online-Handbücher** und anschließend **Acrobat Reader installieren**, und folgen Sie den Anweisungen am Bildschirm.

Wenn Acrobat Reader auf Ihrem System installiert ist, können Sie das Online-Handbuch öffnen und lesen.

■ Online-Handbuch aufrufen

Das Installationsprogramm auf der CD-ROM bietet zwei Möglichkeiten zum Öffnen des Online-Handbuchs an: von der CD-ROM aus oder von der Festplatte des Computers aus.

Hinweis:

Bevor Sie das Online-Handbuch von der Festplatte aus aufrufen können, müssen Sie es auf die Festplatte kopieren.

1. Legen Sie die CD-ROM mit der Druckersoftware in das CD-ROM-Laufwerk des Computers ein.

Windows 95/98/2000/Me/NT 4.0

Das Installationsprogramm startet automatisch, und der Startbildschirm wird angezeigt. Wenn das Installationsprogramm nicht automatisch startet, klicken Sie auf **Start** und anschließend auf **Ausführen**, und geben Sie den Befehl **E:\Start.exe** in die Befehlszeile ein.

Hinweis:

E steht für die Laufwerkskennung Ihres CD-ROM-Laufwerks und kann auch anders lauten.

Windows 3.1x/NT 3.5x:

Wählen Sie im Menü **Datei** den Befehl **Ausführen** aus, und geben Sie in die Befehlszeile den Befehl **E:\Start.exe** ein, um das Installationsprogramm zu starten.

Hinweis:

E steht für die Laufwerkskennung Ihres CD-ROM-Laufwerks und kann auch anders lauten.

2. Wählen Sie die gewünschte Sprache aus.
3. Wählen Sie **Online-Handbücher**. Das Installationsprogramm zeigt den Namen des verfügbaren Online-Handbuchs an. Wählen Sie das Handbuch aus.
Wählen Sie **Handbuchname - Lesen**, wenn das Handbuch von der CD-ROM aus geöffnet werden soll. Adobe Acrobat Reader wird automatisch gestartet, und das Online-Handbuch wird geöffnet.

Hinweis:

*Wenn Sie das Online-Handbuch auf die Festplatte kopieren wollen, wählen Sie **Handbuchname - PC-Installation**. Sie können das Handbuch jederzeit wieder von der Festplatte löschen. Folgen Sie dazu den Anweisungen auf der CD-ROM.*

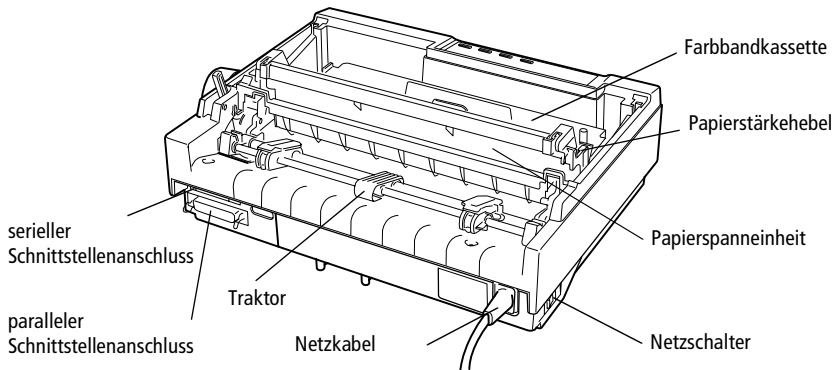
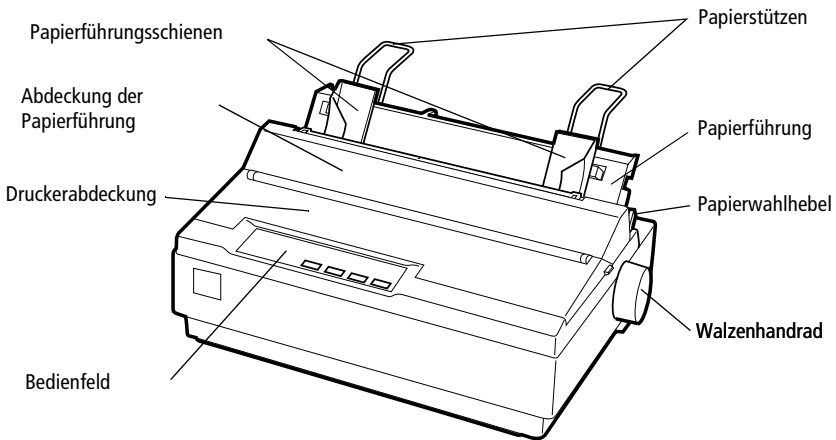
Wenn Sie das Handbuch auf die Festplatte kopiert haben, gehen Sie folgendermaßen vor:

- **Windows 95/98/2000/Me/NT 4.0**
Klicken Sie auf **Start**, zeigen Sie auf **Programme** und anschließend auf **EPSON**. Klicken Sie auf den Namen des Handbuchs. Adobe Acrobat Reader wird automatisch gestartet, und das Online-Handbuch wird geöffnet.
- **Windows 3.1x/NT 3.5x:**
Öffnen Sie die Programmgruppe **EPSON**. Klicken Sie auf den Namen des Handbuchs. Adobe Acrobat Reader wird automatisch gestartet, und das Online-Handbuch wird geöffnet.

■ Kundendienst

Falls Sie dringende Hilfe benötigen, können Sie sich telefonisch an den EPSON-Kundendienst wenden. Die Telefonnummer und weitere wichtige Informationen für Ihr Land finden Sie in der mit Ihrem Drucker mitgelieferten Kundendienstbroschüre.

■ Druckerteile



EPSON®

Imprimante matricielle à 24 aiguilles

LQ-300+

Français

Tous droits réservés. La reproduction, l'enregistrement ou la diffusion de tout ou partie de ce manuel, sous quelque forme et par quelque moyen que ce soit, électronique, mécanique, photocopie, sonore ou autre, sont interdits sans l'autorisation écrite préalable de SEIKO EPSON CORPORATION. Les informations contenues dans le présent manuel ne s'appliquent qu'à l'imprimante EPSON décrite ci-après. EPSON n'est pas responsable de l'éventuelle utilisation de ces renseignements avec d'autres imprimantes.

La société SEIKO EPSON CORPORATION et ses filiales ne peuvent être tenues pour responsables des préjudices, pertes, coûts ou dépenses, subis par l'acquéreur de ce produit ou par des tiers, résultant d'un accident, d'une utilisation non conforme ou d'un abus, de modifications, de réparations ou de transformations non autorisées de ce produit, ou encore, de la non-observation (sauf aux Etats-Unis d'Amérique) des instructions d'utilisation et d'entretien émanant de SEIKO EPSON CORPORATION.

SEIKO EPSON CORPORATION n'endosse aucune responsabilité en cas de dommages ou de problèmes pouvant survenir à la suite de l'utilisation d'accessoires ou de consommables autres que les produits originaux d'EPSON ou ceux qui sont agréés par la société SEIKO EPSON CORPORATION.

EPSON et EPSON ESC/P sont des marques déposées et EPSON ESC/P2 est une marque de SEIKO EPSON CORPORATION.

Microsoft, Windows et Windows NT sont des marques déposées de Microsoft Corporation.

IBM est une marque déposée d'International Business Machines Corporation.

Adobe et Acrobat sont des marques déposées et Acrobat Reader est une marque d'Adobe Systems Incorporated.

Remarque générale : *Tous les autres noms de produits mentionnés dans ce manuel ne le sont que dans un but d'identification et peuvent être des marques commerciales de leurs propriétaires respectifs. EPSON décline tout droit sur ces marques.*

Copyright © 2000 by EPSON Deutschland GmbH, Düsseldorf.

Obtention d'informations

■ Manuel Démarrage rapide (ce manuel)

Ce manuel contient des informations sur l'installation de l'imprimante et du logiciel de l'imprimante ainsi que sur la consultation de la documentation en ligne. Il fournit également des instructions sur l'utilisation quotidienne de l'appareil. Conservez ce manuel à proximité de l'imprimante.

■ Documentation en ligne

Le CD-ROM fourni avec l'imprimante comporte de la documentation en ligne au format PDF qui comprend des conseils et d'autres informations.

■ Aide en ligne

L'aide en ligne fournit des informations et des instructions détaillées sur le logiciel de l'imprimante Windows qui contrôle votre imprimante. Elle est automatiquement installée en même temps que le logiciel de l'imprimante.

■ Table des matières

Avertissement, Attention et Remarque	4
Symbole d'avertissement de la tête d'impression	4
Conformité ENERGY STAR®	4
Déballage de l'imprimante	5
Choix d'un emplacement pour l'imprimante	6
Assemblage de l'imprimante	7
Installation du bouton d'alimentation en papier	7
Fixation des supports papier	8
Installation ou remplacement de la cartouche de ruban	9
Branchement de l'imprimante	11
Exécution du test automatique	12
Connexion de l'imprimante à votre ordinateur	15
Utilisation de l'interface parallèle	15
Utilisation de l'interface série	16
Installation du logiciel de l'imprimante	18
Installation du logiciel sous Windows Me, 98, 95, 2000 ou NT 4.0	18
Installation du logiciel sous Windows 3.1 ou NT 3.5x	19
Pour les applications DOS	20
Impression	21
Accès au pilote d'impression	21
Impression sur feuilles simples	22
Utilisation du manuel en ligne	22
Installation d'Adobe Acrobat Reader	23
Accès au manuel en ligne	23
Support technique	25
Composants de l'imprimante	26

■ Avertissement, Attention et Remarque

Ce guide applique les conventions suivantes :



Avertissement

A respecter afin d'éviter tout accident corporel.



Attention

A respecter pour éviter d'endommager votre installation.

Remarques

Contiennent des informations importantes et des conseils utiles concernant le fonctionnement de votre imprimante.

■ Symbole d'avertissement de la tête d'impression



Ce symbole figure sur la tête d'impression pour indiquer que celle-ci peut être chaude. Ne touchez jamais la tête d'impression aussitôt après avoir utilisé l'imprimante. Laissez-la refroidir pendant quelques minutes avant de la toucher.

■ Conformité ENERGY STAR®

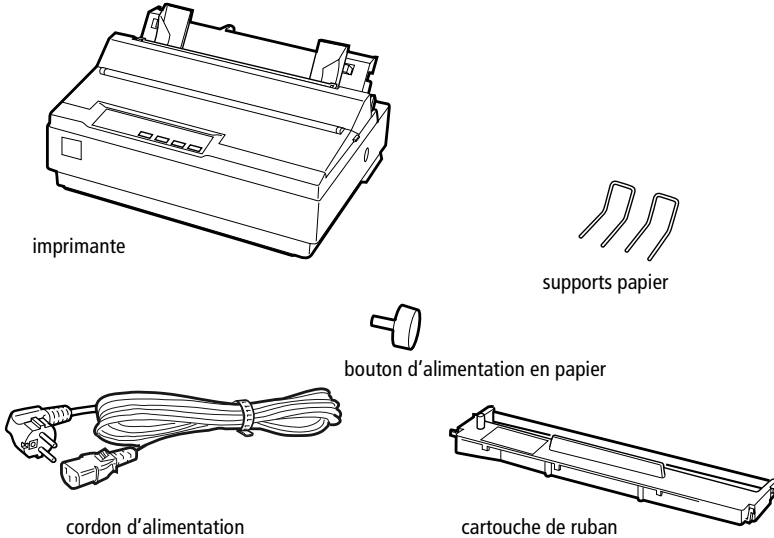


En sa qualité de partenaire ENERGY STAR®, EPSON garantit que ce produit répond aux directives du programme ENERGY STAR® d'économie d'énergie.

Le programme international bureautique ENERGY STAR® résulte du partenariat volontaire conclu avec l'industrie informatique et bureautique en vue de promouvoir l'introduction d'ordinateurs personnels, de moniteurs, d'imprimantes, de télécopieurs, de photocopieurs et de scanners qui utilisent l'énergie de manière efficace afin de réduire la pollution de l'air engendrée par la production d'électricité.

■ Déballage de l'imprimante

En plus des éléments illustrés ci-dessous, le carton de l'imprimante doit comprendre un CD-ROM contenant le logiciel de l'imprimante EPSON et une Notice de déballage. Vérifiez que le carton contient bien tous les éléments.



Remarque :

Selon le modèle, le cordon d'alimentation peut être solidaire de l'imprimante. En outre, la forme de la fiche du cordon varie selon le pays d'achat de l'imprimante. Vérifiez donc que la fiche est adaptée à votre pays.



Attention :

Il existe plusieurs modèles de cette imprimante, conçus pour différentes tensions d'alimentation. Il n'est pas possible de modifier la tension d'alimentation de l'appareil. Si la tension d'alimentation qui figure sur l'étiquette à l'arrière de l'imprimante ne correspond pas à la tension secteur de votre pays, contactez votre revendeur.

Avant d'installer votre imprimante et de la mettre sous tension, vous devez retirer tous les éléments de protection à l'extérieur et à l'intérieur de celle-ci. Suivez les instructions de la Notice de déballage qui accompagne votre imprimante.

Conservez tous les éléments d'emballage et de protection afin de pouvoir les réutiliser si vous êtes amené à expédier votre imprimante ultérieurement. L'imprimante doit toujours être transportée dans son emballage d'origine.

■ Choix d'un emplacement pour l'imprimante

Suivez les consignes suivantes pour choisir l'emplacement de votre imprimante :

- Posez l'imprimante sur une surface plane et stable. Elle ne fonctionnera pas correctement si elle ne repose pas à l'horizontale.
- Choisissez un endroit où vous pourrez facilement connecter un câble d'interface réseau à l'imprimante si nécessaire.
- Prévoyez un espace suffisant autour de l'imprimante pour permettre son utilisation et son entretien faciles.
- Evitez d'utiliser et de ranger l'imprimante dans des endroits soumis à des variations rapides de température et d'humidité. Protégez l'imprimante des rayons directs du soleil, d'une luminosité intense, des sources de chaleur ainsi que de la poussière ou d'une humidité excessive.
- Evitez les endroits soumis à des chocs et des vibrations.
- Placez l'imprimante à proximité d'une prise murale de laquelle son cordon d'alimentation pourra être débranché facilement.
- Evitez les prises électriques commandées par un interrupteur mural ou un programmeur automatique. Une coupure de courant peut effacer les informations contenues dans la mémoire de votre imprimante ou de votre ordinateur. Evitez également d'utiliser une prise raccordée au même circuit électrique qu'un moteur de forte puissance ou d'autres appareils électriques susceptibles de faire varier la tension d'alimentation.
- Tenez votre système informatique à l'écart des sources potentielles d'interférences électromagnétiques, notamment des enceintes et de la base émettrice-réceptrice des téléphones sans fil.
- Utilisez une prise secteur reliée à la terre. N'utilisez pas d'adaptateur.

Si vous envisagez d'utiliser une table pour imprimante, suivez les recommandations suivantes :

- Utilisez une table capable de supporter un poids d'au moins 20 kg.
- N'utilisez jamais une table sur laquelle l'imprimante serait inclinée. L'imprimante doit toujours être maintenue à l'horizontale.
- Disposez le cordon d'alimentation et le câble d'interface de votre imprimante à l'écart du chemin papier. Dans la mesure du possible, fixez les câbles à un pied de la table pour imprimante.

■ Assemblage de l'imprimante

Cette section vous fournit des informations pour l'installation et la mise en marche de votre imprimante.

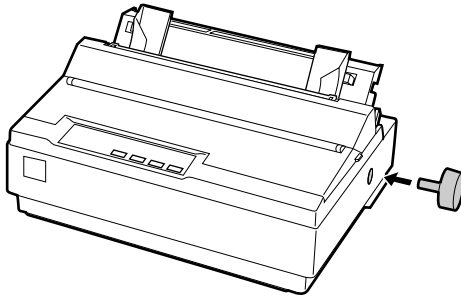
Reportez-vous à la section « Composants de l'imprimante » à la dernière page de ce guide pour consulter les noms des composants de l'imprimante.

■ Installation du bouton d'alimentation en papier

La première étape de la procédure d'assemblage consiste à installer le bouton d'alimentation en papier.

Procédez de la façon suivante pour installer le bouton d'alimentation en papier :

1. Insérez le bouton dans le trou situé sur le côté de l'imprimante et tournez-le lentement jusqu'à ce qu'il glisse sur l'axe.

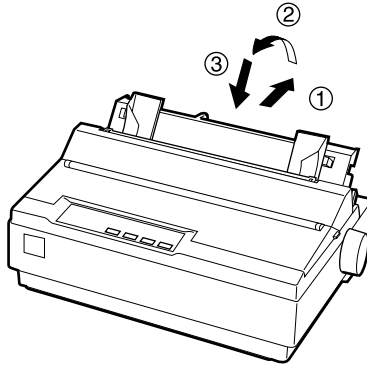


2. Appuyez fermement sur le bouton d'alimentation en papier jusqu'à ce qu'il soit contre le coffret de l'imprimante.

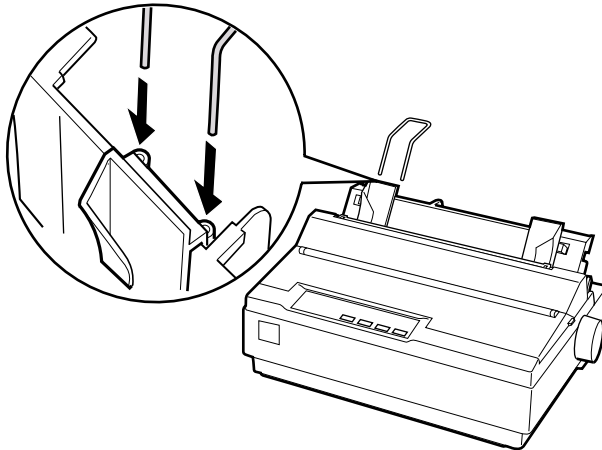
■ Fixation des supports papier

Vous devez installer les supports papier avant de commencer à utiliser l'imprimante. Procédez de la façon suivante pour fixer les supports papier sur l'imprimante :

1. Tirez le guide papier vers l'arrière, soulevez-le et appuyez fermement dessus pour le mettre en place.



2. Prenez un des supports papier et enfoncez ses bouts dans les encoches du guide latéral.



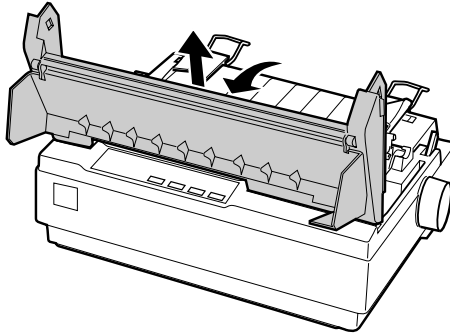
3. Répétez l'étape 2 pour l'autre support papier.

■ Installation ou remplacement de la cartouche de ruban

Avant d'installer la cartouche de ruban, assurez-vous que l'imprimante n'est pas raccordée à une prise électrique.

Procédez de la façon suivante pour installer ou remplacer la cartouche de ruban.

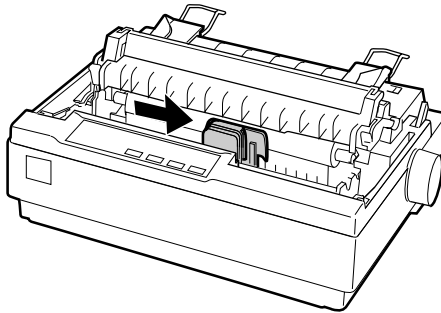
1. Relevez le capot de l'imprimante jusqu'à la verticale, puis soulevez-le pour le retirer.



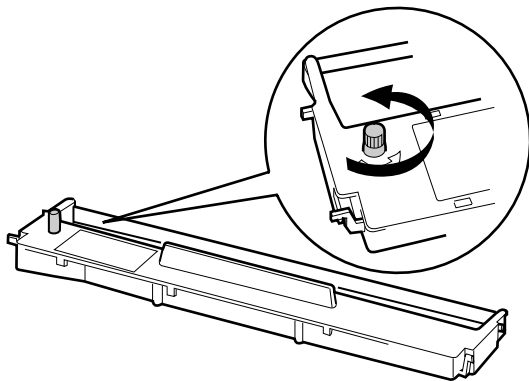
Avertissement :

Ne déplacez jamais la tête d'impression lorsque l'imprimante est sous tension, car vous risquez d'endommager cette dernière. De même, si vous venez d'utiliser l'imprimante, laissez refroidir la tête d'impression pendant quelques minutes avant de la toucher.

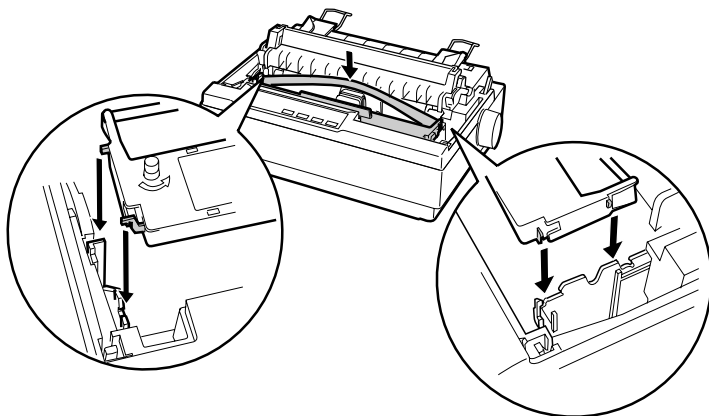
2. Faites glisser la tête d'impression jusqu'au centre de l'imprimante.



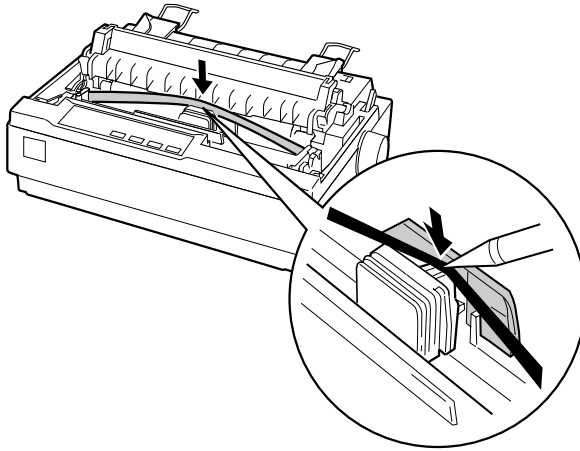
3. Tournez le bouton de tension du ruban dans le sens de la flèche afin de tendre le ruban pour faciliter son installation.



4. Insérez la cartouche de ruban dans l'imprimante, de la manière illustrée, puis appuyez fermement des deux côtés de la cartouche pour que les crochets en plastique pénètrent dans les fentes de l'imprimante.



5. En vous aidant d'un objet pointu, notamment un stylo à bille, faites passer le ruban entre la tête d'impression et le guide ruban. Tournez le bouton de tension du ruban pour faciliter sa mise en place. Il ne doit être ni tordu, ni froissé.



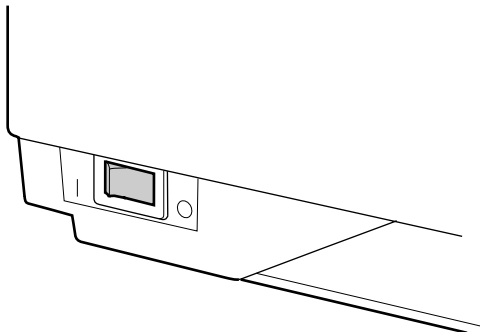
6. Faites glisser la tête d'impression d'un bout à l'autre pour vous assurer qu'elle se déplace sans entrave.
7. Réinstallez le capot de l'imprimante et fermez-le.

Lorsque les documents imprimés deviennent pâles, vous devez remplacer la cartouche de ruban. Pour retirer la cartouche usagée, déplacez d'abord la tête d'impression jusqu'au centre de l'imprimante. Soulevez les deux extrémités de la cartouche et sortez-la de l'imprimante pour la retirer.

■ Branchement de l'imprimante

Procédez de la façon suivante pour brancher l'imprimante :

1. Assurez-vous que le bouton Marche/Arrêt de l'imprimante est en position Arrêt. C'est le cas lorsque le côté O du bouton est enfoncé.



2. Assurez-vous que la tension d'alimentation requise, qui figure sur l'étiquette apposée à l'arrière de l'imprimante, est bien identique à celle fournie par la prise électrique.



Attention :

Si la tension nominale de l'imprimante ne correspond pas à celle de votre prise, contactez votre revendeur. Ne branchez pas le cordon d'alimentation.

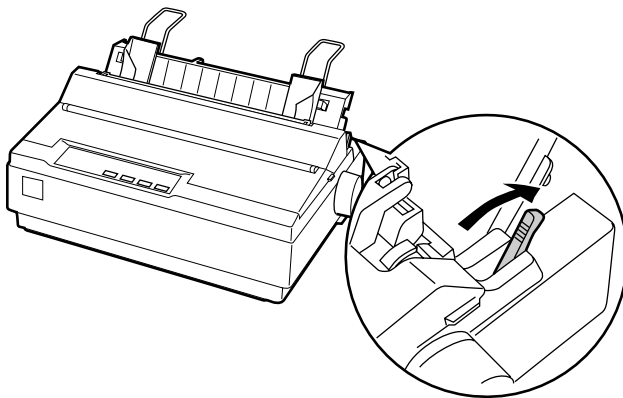
3. Si le cordon d'alimentation n'est pas connecté à l'imprimante, raccordez-le à la prise d'alimentation secteur (AC) de l'imprimante.
4. Branchez le cordon d'alimentation sur une prise secteur reliée à la terre.

■ Exécution du test automatique

Le test automatique permet de vérifier le bon fonctionnement de l'imprimante. Pour l'effectuer, vous pouvez utiliser du papier continu ou des feuilles simples. La procédure décrite ci-après explique l'exécution du test en utilisant des feuilles simples, ce qui est la méthode la plus facile.

Procédez de la façon suivante pour effectuer le test automatique :

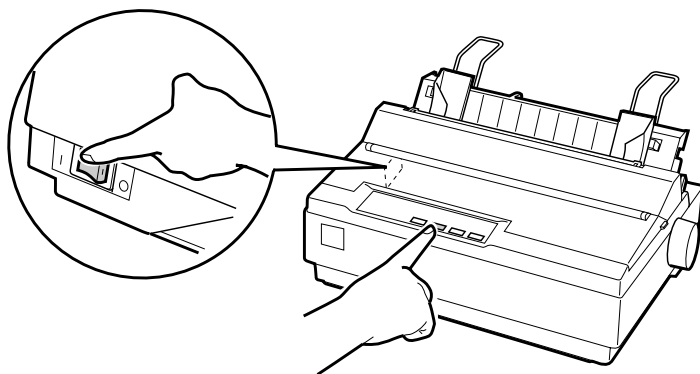
1. Assurez-vous que l'imprimante est hors tension. Assurez-vous également que le levier de déchargement du papier est réglé sur la position correspondant aux feuilles simples et que le guide papier est relevé, de la manière illustrée ci-dessous.



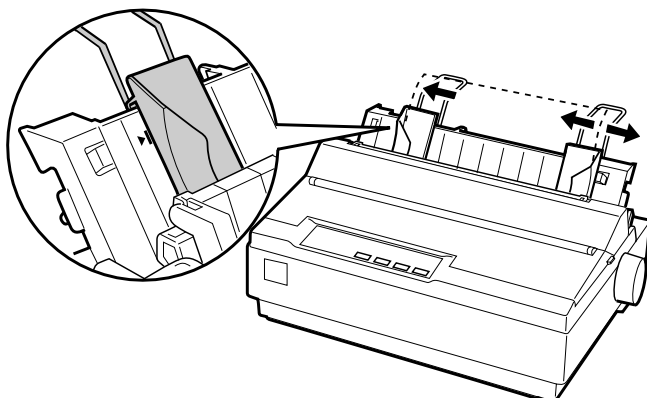
Attention :

Vous devez utiliser du papier de 210 mm de large minimum pour effectuer le test automatique afin que la tête d'impression n'imprime pas directement sur le rouleau d'impression.

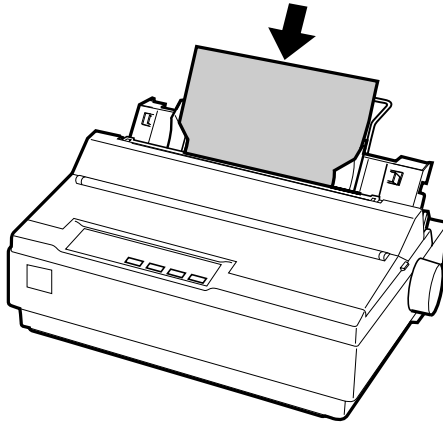
2. Tout en maintenant la touche **LF/FF** enfoncée, mettez l'imprimante sous tension.



3. Faites glisser le guide latéral gauche jusqu'à ce qu'il se verrouille au niveau du repère du guide. Ajustez ensuite le guide latéral droit en fonction de la largeur du papier.



4. Insérez fermement une feuille entre les guides latéraux jusqu'à ce que vous rencontriez de la résistance. L'imprimante charge la feuille automatiquement et commence l'impression du test automatique.



5. Pour interrompre temporairement l'impression, appuyez sur la touche **Pause**.
6. Pour mettre fin au test automatique, assurez-vous que l'imprimante n'imprime pas. Appuyez sur la touche **LF/FF** pour éjecter la feuille, puis mettez l'imprimante hors tension.

Ceci est un extrait de test automatique ordinaire :

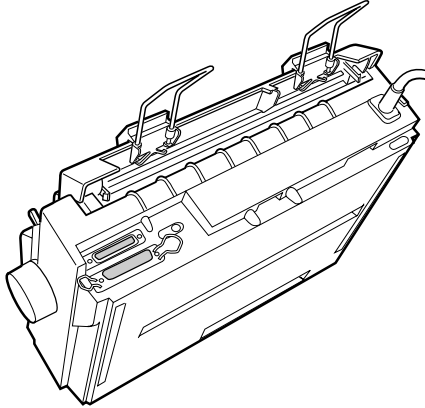
```
!"#$%&'()*+,-./0123456789:;<=>?@ABCDEFGHI  
!"#$%&'()*+,-./0123456789:;<=>?@ABCDEFGHI  
!"#$%&'()*+,-./0123456789:;<=>?@ABCDEFGHIJ  
#$%&'()*+,-./0123456789:;<=>?@ABCDEFGHIJK  
$%&'()*+,-./0123456789:;<=>?@ABCDEFGHIJKL  
%&'()*+,-./0123456789:;<=>?@ABCDEFGHIJKLM  
&'()*+,-./0123456789:;<=>?@ABCDEFGHIJKLMN
```

Remarque :

Si vous n'êtes pas satisfait du résultat de l'impression, reportez-vous au chapitre 4 « Dépannage » du Guide de l'utilisateur en ligne. Si l'impression est correcte, passez à la section suivante.

■ Connexion de l'imprimante à votre ordinateur

Votre imprimante possède à la fois une interface parallèle compatible IEEE-1284 et une interface série EIA-232D. Avant de commencer, posez l'imprimante verticalement, de la manière illustrée ci-dessous. (Il est ainsi plus facile de raccorder le câble.)



Connectez votre ordinateur à l'interface de votre choix, de la manière décrite ci-après.

Remarque :

Vous pouvez raccorder un câble aux deux interfaces. L'imprimante bascule alors automatiquement de l'une à l'autre quand elle reçoit des données.

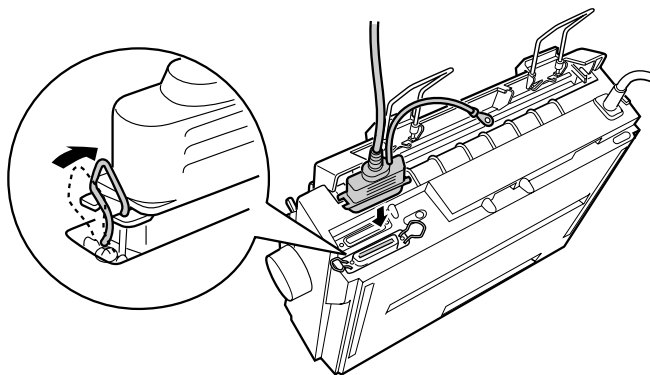
■ Utilisation de l'interface parallèle

Pour utiliser l'interface parallèle, vous avez besoin d'un câble blindé à paire torsadée de 2 mètres de long maximum.

Procédez de la façon suivante pour connecter l'imprimante à l'ordinateur en utilisant l'interface parallèle :

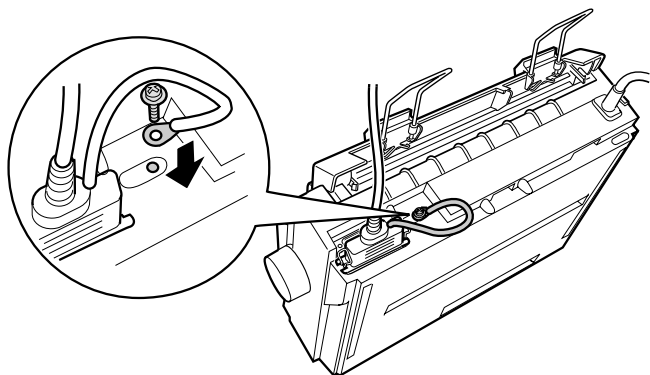
1. Mettez l'imprimante et l'ordinateur hors tension.

2. Branchez convenablement le connecteur du câble parallèle sur le port d'interface parallèle de l'imprimante. Rabattez les clips métalliques jusqu'à ce qu'ils s'emboîtent correctement de chaque côté du connecteur.



Remarque :

Si l'extrémité du câble est munie d'un fil de masse, raccordez-le au connecteur de masse situé à droite du port d'interface parallèle.



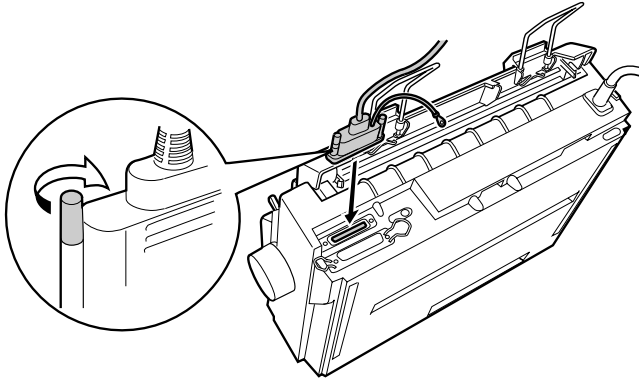
3. Branchez l'autre extrémité du câble sur le port d'interface parallèle de l'ordinateur. (Si cette extrémité du câble est munie d'un fil de masse, raccordez-le au connecteur de masse situé à l'arrière de l'ordinateur.)

■ Utilisation de l'interface série

Pour utiliser l'interface série, vous avez besoin d'un câble série disposant d'un connecteur mâle DB-25 à l'extrémité destinée à l'imprimante.

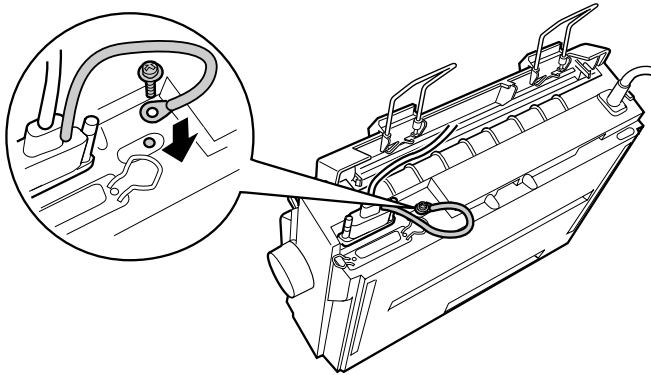
Procédez de la façon suivante pour connecter l'imprimante à l'ordinateur en utilisant l'interface série :

1. Mettez l'imprimante et l'ordinateur hors tension.
2. Branchez convenablement le connecteur du câble série sur le port d'interface série de l'imprimante. Serrez les vis de part et d'autre du connecteur.



Remarque :

Si l'extrémité du câble est munie d'un fil de mise à la terre, raccordez-le au connecteur de masse situé à droite du port d'interface série.



3. Branchez l'autre extrémité du câble sur le port d'interface série de l'ordinateur, puis serrez les vis de part et d'autre du connecteur. (Si cette extrémité du câble est munie d'un fil de mise à la terre, raccordez-le au connecteur de masse situé à l'arrière de l'ordinateur.)
4. Utilisez le mode de définition des paramètres par défaut pour modifier si nécessaire la vitesse en bauds et le bit de parité. Reportez-vous à la section « A propos des paramètres par défaut de votre imprimante » du chapitre 2 du *Guide de l'utilisateur en ligne*.

■ Installation du logiciel de l'imprimante

Après avoir connecté l'imprimante à votre ordinateur, vous devez installer le logiciel qui figure sur le CD-ROM du logiciel de l'imprimante EPSON livré avec celle-ci.

Le logiciel de l'imprimante comporte les éléments suivants :

- Pilote d'impression
Le pilote d'impression est le logiciel qui permet de faire fonctionner, ou « piloter », l'imprimante. Il vous permet de définir les paramètres de l'imprimante, notamment la qualité d'impression, la résolution et le format du papier.
- Utilitaire EPSON Status Monitor 3 (Windows Me, 98, 95, 2000 ou NT 4.0)
L'utilitaire EPSON Status Monitor 3 vous renseigne sur les erreurs relevées au niveau de l'imprimante et affiche des informations relatives à l'état de celle-ci.
- EPSON Remote! (utilitaire de configuration de l'imprimante exécuté sous DOS)
L'utilitaire EPSON Remote! vous permet de modifier facilement les paramètres par défaut de l'imprimante à partir de l'écran de l'ordinateur. Reportez-vous à la section « Utilisation de l'utilitaire EPSON Remote! » du chapitre 3 du *Guide de l'utilisateur* en ligne.

■ Installation du logiciel sous Windows Me, 98, 95, 2000 ou NT 4.0

Procédez de la façon suivante pour installer le logiciel de l'imprimante sous Windows Me, 98, 95, 2000 ou NT 4.0 :

Remarque :

- *L'installation du logiciel de l'imprimante sous Windows 2000 ou NT 4.0 peut exiger des droits d'administrateur. Si vous rencontrez des problèmes, adressez-vous à votre administrateur.*
 - *Si vous souhaitez effectuer une copie sur disquette du logiciel de l'imprimante à partir du CD-ROM, insérez le CD-ROM dans le lecteur et exécutez le programme START.EXE. Dans la boîte de dialogue qui s'affiche, cliquez sur le bouton **Création d'une disquette de sauvegarde** et suivez les instructions affichées.*
 - *Si vous utilisez la version sur disquette du logiciel EPSON, effectuez une copie de sauvegarde de la (des) disquette(s) du logiciel de l'imprimante EPSON avant de procéder à l'installation.*
1. Assurez-vous que l'imprimante et l'ordinateur sont hors tension.
 2. Mettez l'ordinateur sous tension. Windows démarre automatiquement. Mettez ensuite l'imprimante sous tension.
 3. Insérez le CD-ROM contenant le logiciel de l'imprimante dans votre lecteur de CD-ROM. La fonction de lecture automatique du lecteur de CD-ROM démarre instantanément le programme d'installation.

Si le programme d'installation ne démarre pas automatiquement, cliquez sur **Démarrer**, puis sur **Exécuter**. Dans la boîte de dialogue **Exécuter**, tapez la lettre de votre lecteur de CD-ROM au niveau de la ligne de commande (par exemple **E:**), suivie de la commande **START.EXE** (par exemple, **E:\START.EXE**) et cliquez sur le bouton **OK**.

Remarque :

*Si votre lecteur de CD-ROM porte une lettre différente de **E**, remplacez E par la lettre appropriée. Le programme d'installation démarre. La suite de la procédure d'installation est pilotée par menu. Autrement dit, vous pouvez sélectionner les options que vous souhaitez en cliquant simplement avec la souris dans la liste affichée à l'écran. Le reste de l'installation est automatique et vous ne devez plus fournir aucune autre information.*

4. Sélectionnez les options souhaitées et suivez les instructions affichées.
5. Une fois que le logiciel de l'imprimante a été correctement installé, quittez le programme d'installation en cliquant sur le bouton dont l'icône représente une porte.

Remarque :

- *Si l'écran **Nouveau matériel détecté** ou tout autre assistant s'affiche lorsque vous mettez votre ordinateur sous tension, cliquez sur **Annuler** et exécutez la procédure ci-dessus.*
- *La durée de l'installation varie selon l'ordinateur.*

Pour plus d'informations sur l'ouverture et l'utilisation du logiciel, reportez-vous au chapitre 3 « Utilisation du logiciel de l'imprimante » du *Guide de l'utilisateur* en ligne. Quand vous avez installé le pilote d'impression sous Windows Me, 95, 98, 2000 ou NT 4.0, vous pouvez installer l'utilitaire EPSON Status Monitor 3. Pour plus d'informations sur l'installation et l'utilisation de Status Monitor, reportez-vous à la section « A propos de l'utilitaire EPSON Status Monitor 3 » du chapitre 3 du *Guide de l'utilisateur* en ligne.

■ Installation du logiciel sous Windows 3.1 ou NT 3.5x

Procédez de la façon suivante pour installer le logiciel de l'imprimante sous Windows 3.1 ou NT 3.5x.

Remarque :

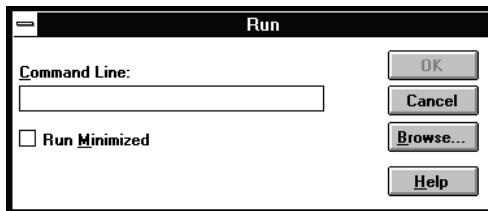
L'installation du logiciel de l'imprimante pour Windows NT 3.5x peut exiger des droits d'administrateur réseau. Pour plus d'informations, adressez-vous à votre administrateur.

1. Assurez-vous que Windows 3.1 ou NT 3.5 est en cours d'exécution et que la fenêtre **Gestionnaire de programmes** est ouverte.
2. Insérez le CD-ROM du logiciel de l'imprimante EPSON, livré avec celle-ci, dans le lecteur de CD-ROM.

Remarque :

Si votre système n'a pas de lecteur de CD-ROM, vous pouvez créer une version sur disquette à partir de laquelle vous installerez le logiciel de l'imprimante.

3. Dans le menu **Fichier**, choisissez **Exécuter**. La boîte de dialogue **Exécuter** s'affiche. Dans la zone **Ligne de commande**, tapez **E:\START**, puis cliquez sur **OK**.



Remarque :

*Si votre lecteur de CD-ROM porte une lettre différente de **E**, remplacez E par la lettre appropriée.*

Le programme d'installation démarre. La suite de la procédure d'installation est pilotée par menu. Autrement dit, vous pouvez sélectionner les options que vous souhaitez en cliquant simplement avec la souris dans la liste affichée à l'écran. Le reste de l'installation est automatique et vous ne devez plus fournir aucune autre information.

4. Sélectionnez les options souhaitées et suivez les instructions affichées.
5. Une fois que le logiciel de l'imprimante a été correctement installé, quittez le programme d'installation en cliquant sur le bouton dont l'icône représente une porte.

Le programme d'installation sélectionne automatiquement l'imprimante LQ-300+ comme imprimante par défaut pour les applications Windows.

Pour plus d'informations sur l'ouverture et l'utilisation du logiciel, reportez-vous au chapitre 3 « Utilisation du logiciel de l'imprimante » du *Guide de l'utilisateur* en ligne.

■ Pour les applications DOS

Pour contrôler l'imprimante à partir d'applications DOS, vous devez sélectionner celle-ci ou une autre imprimante disponible dans la liste des imprimantes de votre application. Choisissez l'imprimante EPSON LQ-300+ à l'étape appropriée de la procédure d'installation ou de configuration de votre application DOS. Si la liste affichée dans votre application ne comporte pas l'imprimante LQ-300+, choisissez la première imprimante disponible de la liste suivante :

LQ-300	FX-86e/800
LQ-580/LQ-570e	JX-80
LX-810/850	EX-800
LX-800	Imprimante EPSON LQ
LX-80/86	Imprimante EPSON FX
FX-850	Imprimante EPSON

Si vous souhaitez utiliser des couleurs, vous devez choisir LQ-300. Les autres imprimantes ne permettent pas l'utilisation de couleurs.

Remarque :

Si la liste de votre application ne propose aucune des alternatives ci-dessus, contactez l'éditeur du logiciel et renseignez-vous sur la disponibilité d'une mise à jour.

■ Impression

■ Accès au pilote d'impression

Suivez la procédure décrite ci-après pour accéder au pilote d'impression.

Remarque :

Les étapes ci-dessous décrivent, de manière générale, la procédure à suivre pour accéder au pilote d'impression. Cette procédure peut varier suivant l'application. Pour plus d'informations, reportez-vous au manuel de votre application.

■ Windows Me/98/95/2000 et Windows NT 4.0

1. Choisissez **Configuration de l'impression** ou **Imprimer** dans le menu **Fichier** de votre application. La boîte de dialogue **Imprimer** ou **Configuration de l'impression** s'affiche.
2. Assurez-vous que votre imprimante est sélectionnée et cliquez sur **Imprimante**, **Configurer**, **Propriétés** ou **Options**. (Il se peut que vous deviez cliquer sur plusieurs de ces boutons.) La fenêtre **Propriétés** (Windows Me/98/95/2000) ou **Propriétés du document** (Windows NT 4.0) s'affiche et vous pouvez sélectionner les menus **Papier** et **Graphiques** (Windows Me/98/95/2000) ou **Mise en page** et **Avancées** (Windows NT 4.0). Ces menus contiennent les paramètres du pilote d'impression.
3. Pour afficher un menu, cliquez sur l'onglet correspondant en haut de la fenêtre. Pour plus d'informations sur les paramètres, reportez-vous au chapitre 3 « Utilisation du logiciel de l'imprimante » du *Guide de l'utilisateur* en ligne.

Remarque :

*Pour accéder au pilote d'impression à partir du menu **Démarrer**, cliquez sur **Démarrer**, **Paramètres**, **Imprimantes** pour ouvrir la fenêtre **Imprimante**. Cliquez avec le bouton droit de la souris sur l'icône de l'imprimante et cliquez sur **Propriétés** (Windows Me/98/95/2000) ou **Valeurs par défaut du document** (Windows NT 4.0).*

4. Une fois que les paramètres du pilote d'impression ont été définis, cliquez sur **OK** pour les appliquer, ou sur **Restaurer les options par défaut** (Windows 95/98/Me/2000) ou **Annuler** (Windows NT) pour rétablir les valeurs antérieures de ces paramètres.
 5. Cliquez sur **OK** dans la boîte de dialogue **Imprimer** ou **Configuration de l'impression** pour lancer le travail d'impression.
- ### ■ Windows 3.1 et Windows NT 3.5x
1. Choisissez **Configuration de l'impression** ou **Imprimer** dans le menu **Fichier** de votre application. La boîte de dialogue **Imprimer** ou **Configuration de l'impression** s'affiche.

2. Assurez-vous que votre imprimante est sélectionnée et cliquez sur **Imprimante**, **Configurer**, **Propriétés** ou **Options**. (Il se peut que vous deviez cliquer sur plusieurs de ces boutons.) La boîte de dialogue **Options** (Windows 3.1) ou **Propriétés du document** (Windows NT 3.5x) s'affiche.

Remarque :

*Pour accéder au pilote d'impression à partir du Panneau de configuration de Windows 3.1, double-cliquez sur l'icône **Panneau de configuration** dans la fenêtre **Principale**, puis sur l'icône **Imprimante**. Assurez-vous que votre imprimante est affichée en surbrillance, puis cliquez sur **Configurer**.*

*Sous Windows NT 3.5x, ouvrez le **Gestionnaire d'impression** dans la fenêtre **Principale**, et assurez-vous que votre imprimante apparaît en surbrillance, puis cliquez sur **Imprimante** et **Propriétés**. Cliquez ensuite sur le bouton **Détails**, puis sur **Travaux**.*

3. Lorsque vous avez défini les paramètres du pilote d'impression, cliquez sur **OK** pour les appliquer, ou sur **Annuler** pour annuler vos modifications.
4. Cliquez sur **OK** dans la boîte de dialogue **Imprimer** ou **Configuration de l'impression** pour lancer le travail d'impression.

■ Impression sur feuilles simples

Vous pouvez charger des feuilles simples, une à une, à l'aide du guide papier de l'imprimante. La largeur de vos feuilles simples peut être comprise entre 100 et 257 mm.

Vous pouvez charger des feuilles simples de la manière décrite à la section « Exécution du test automatique » à la page 12. Pour une utilisation normale, mettez l'imprimante sous tension sans appuyer sur aucune autre touche. Dès que l'imprimante reçoit des données, elle les imprime.



Attention :

N'utilisez le bouton situé sur le côté droit de l'imprimante que pour éliminer un bourrage papier et uniquement lorsque l'imprimante est hors tension. Sinon, vous risquez d'endommager l'imprimante ou de perdre la position de haut de page.

■ Utilisation du manuel en ligne

Le CD-ROM fourni avec votre imprimante comporte un manuel en ligne au format PDF (Portable Document Format). Les fichiers PDF peuvent être ouverts sur différentes plates-formes (notamment Windows, Macintosh, Unix, etc.). Il s'agit de manuels électroniques qui présentent la même mise en page, les mêmes illustrations, les mêmes tableaux, etc. qu'une documentation imprimée. Vous pouvez afficher le manuel en ligne sur l'écran de votre ordinateur et en tirer éventuellement une copie papier sur n'importe quelle imprimante connectée à votre ordinateur.

Le manuel en ligne suivant est disponible pour votre imprimante :

■ Guide de l'utilisateur

Contient des informations exhaustives sur les fonctions, l'entretien, le dépannage et les caractéristiques techniques de l'imprimante. Lisez ce manuel si vous recherchez des informations détaillées sur l'imprimante LQ-300+.

Pour accéder au manuel en ligne, vous devez installer Adobe® Acrobat® Reader™ sur votre système. Adobe Acrobat Reader est une application conviviale pour l'affichage et l'impression des manuels en ligne. Elle possède de nombreuses fonctionnalités pour consulter les manuels et retrouver facilement les informations que vous recherchez. Vous pouvez les lire en ligne directement à l'écran de l'ordinateur, ou les imprimer afin de pouvoir les consulter ultérieurement. Pour plus d'informations sur l'utilisation d'Adobe Acrobat Reader, reportez-vous à son aide en ligne.

Si Acrobat Reader est déjà installé sur votre ordinateur, vous pouvez passer directement à la section suivante.

Remarque :

Si Adobe Acrobat Reader n'est pas installé sur votre ordinateur, le manuel ne s'ouvre pas et un message d'erreur s'affiche.

■ Installation d'Adobe Acrobat Reader

1. Insérez le CD-ROM du logiciel de l'imprimante EPSON dans votre lecteur de CD-ROM.

Windows Me/98/95/2000/NT 4.0 :

Le programme d'installation qui figure sur le CD-ROM démarre automatiquement et affiche l'écran de démarrage. Si le programme d'installation ne démarre pas automatiquement, cliquez sur le bouton **Démarrer**, puis sur **Exécuter** et tapez la commande **E:\Start.exe** pour démarrer le programme d'installation.

Remarque :

*Si votre lecteur de CD-ROM porte une lettre différente de **E**, remplacez E par la lettre appropriée.*

Windows 3.1x/NT 3.5x :

Sélectionnez **Exécuter** dans le menu **Fichier**, puis tapez la commande **E:\Start.exe** pour démarrer le programme d'installation.

Remarque :

*Si votre lecteur de CD-ROM porte une lettre différente de **E**, remplacez E par la lettre appropriée.*

2. Sélectionnez la langue de votre choix.
3. Sélectionnez **Manuels en ligne**, puis **Installer Acrobat Reader** et suivez les instructions affichées.

Une fois Acrobat Reader installé sur votre ordinateur, vous pouvez accéder au manuel en ligne.

■ Accès au manuel en ligne

Le programme d'installation sur le CD-ROM vous offre deux possibilités d'accès au manuel en ligne : à partir du CD-ROM ou à partir du disque dur de votre ordinateur.

Remarque :

Pour accéder au manuel en ligne à partir de votre disque dur, vous devez d'abord l'installer sur votre ordinateur.

1. Insérez le CD-ROM du logiciel de l'imprimante EPSON dans votre lecteur de CD-ROM.

Windows Me/98/95/2000/NT 4.0 :

Le programme d'installation qui figure sur le CD-ROM démarre automatiquement et affiche l'écran de démarrage. Si le programme d'installation ne démarre pas automatiquement, cliquez sur le bouton **Démarrer**, puis sur **Exécuter** et tapez la commande **E:\Start.exe** pour démarrer le programme d'installation.

Remarque :

*Si votre lecteur de CD-ROM porte une lettre différente de **E**, remplacez E par la lettre appropriée.*

Windows 3.1x/NT 3.5x :

Sélectionnez **Exécuter** dans le menu **Fichier**, puis tapez la commande **E:\Start.exe** pour démarrer le programme d'installation.

Remarque :

*Si votre lecteur de CD-ROM porte une lettre différente de **E**, remplacez E par la lettre appropriée.*

2. Sélectionnez la langue de votre choix.
3. Sélectionnez **Manuels en ligne**. Le programme d'installation affiche le nom des manuels en ligne disponibles. Sélectionnez le manuel en ligne.
Sélectionnez **nom du manuel - Lire** si vous souhaitez ouvrir le manuel en ligne à partir du CD-ROM. Acrobat Reader démarre automatiquement et le manuel en ligne s'ouvre.

Remarque :

*Si vous souhaitez copier le manuel en ligne sur le disque dur de votre système, sélectionnez **nom du manuel - Installation sur le PC**. Si vous le souhaitez, vous pouvez supprimer à tout moment le manuel du disque dur. Suivez les instructions sur le CD-ROM.*

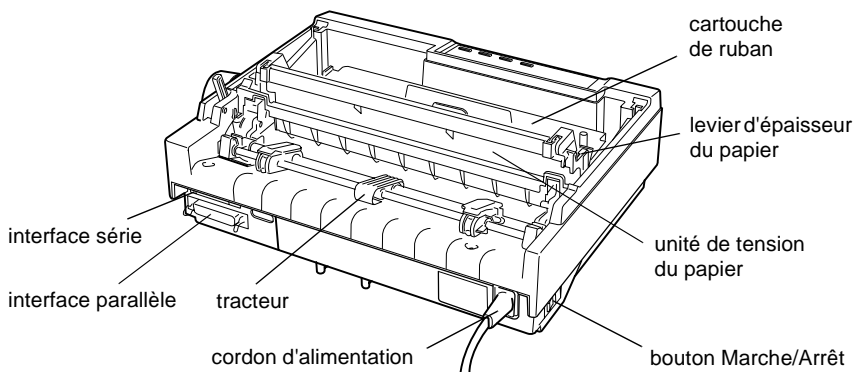
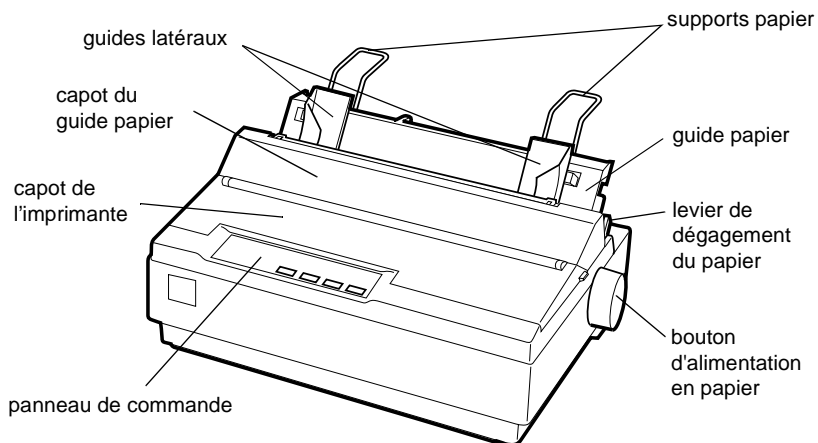
Une fois le manuel en ligne installé sur le disque dur, procédez de la manière suivante :

- **Windows Me/98/95/2000/NT 4.0 :**
Cliquez sur le bouton **Démarrer**, pointez sur **Programmes**, puis sur **EPSON**. Cliquez sur le nom du manuel en ligne. Acrobat Reader démarre automatiquement et le manuel en ligne s'ouvre.
- **Windows 3.1x/NT 3.5x :**
Ouvrez le groupe de programmes **EPSON**. Cliquez sur le nom du manuel en ligne. Acrobat Reader démarre automatiquement et le manuel en ligne s'ouvre.

■ Support technique

La ligne du support technique et du service après-vente EPSON est à votre disposition pour toute aide urgente. Vous trouverez le numéro de téléphone ainsi que d'autres informations importantes, applicables dans votre pays, dans la brochure Service après-vente et support, fournie avec votre imprimante.

Composants de l'imprimante



LQ-300+

STAMPANTE A IMPATTO A 24 AGHI

EPSON

Copyright

Tutti i diritti riservati. È vietata la riproduzione di qualsiasi parte di questo manuale, in qualsiasi forma, senza l'esplicito permesso scritto della EPSON Italia. Il contenuto di questo manuale può essere modificato senza preavviso. Ogni cura è stata posta nella raccolta e nella verifica della documentazione contenuta in questo manuale; tuttavia la EPSON Italia spa non può assumersi alcuna responsabilità derivante dall'utilizzo della stessa. Lo stesso dicasi per ogni società coinvolta nella creazione e nella produzione di questo manuale.

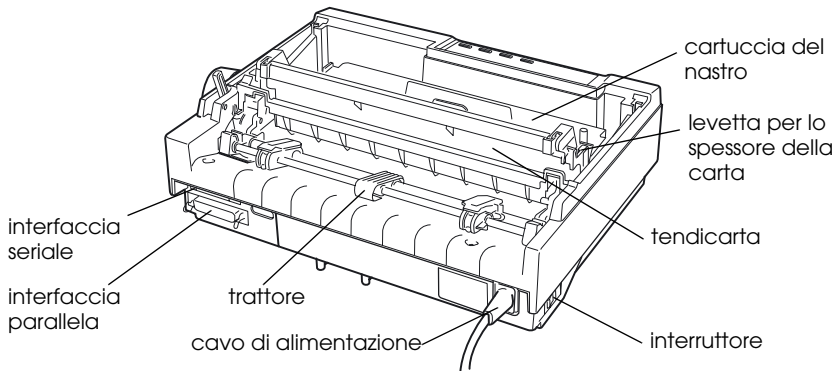
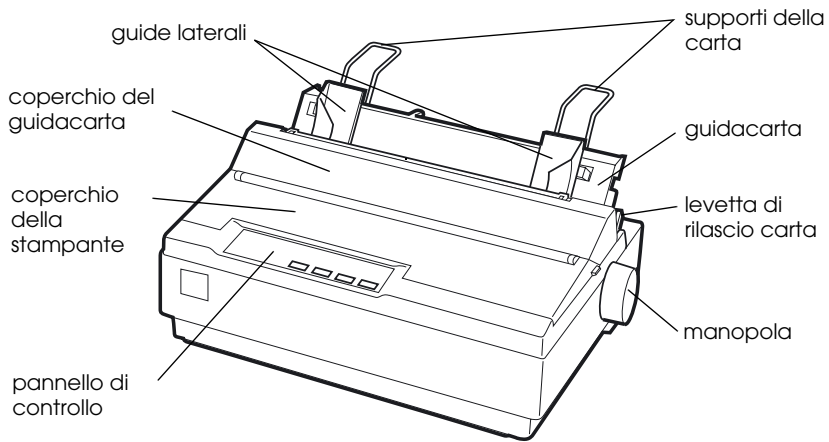
EPSON e EPSON ESC/P sono marchi di SEIKO EPSON CORPORATION.

Microsoft e Windows sono marchi registrati di Microsoft Corporation.

Altri nomi di prodotto citati nella documentazione servono unicamente a scopo di identificazione e possono essere marchi registrati delle rispettive aziende.

Copyright © 2001 EPSON Italia spa

Parti della stampante



Indicatori e tasti del pannello di controllo

Indicatori Tear Off (Font)**

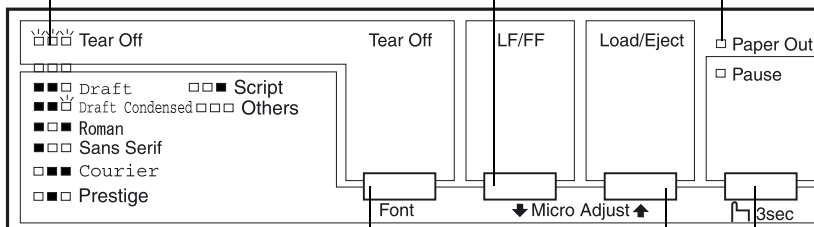
- Lampeggiano quando il modulo continuo è in posizione di strappo; le altre combinazioni indicano il font selezionato.

Tasto LF/FF

- Fa avanzare la carta riga per riga se premuto brevemente.
- Tenendolo premuto, espelle un foglio singolo o fa avanzare il modulo continuo alla successiva posizione di inizio stampa.

Indicatore Paper Out

- Acceso quando non c'è carta nell'alimentatore selezionato o la carta non è caricata correttamente.
- Lampeggia quando la carta non è stata completamente espulsa o si è verificato un inceppamento.



Tasto Tear Off (Font)**

- Fa avanzare il modulo continuo fino alla posizione di strappo.
- Fa retrocedere il modulo continuo dalla posizione di strappo alla posizione di inizio stampa.

Tasto Load/Eject

- Carica un foglio di carta singolo.
- Espelle un foglio di carta singolo se è caricato.
- Carica il modulo continuo dalla posizione di attesa.
- Fa retrocedere il modulo continuo alla posizione di attesa.

Tasto Pause

Interrompe la stampa temporaneamente e la riprende quando è premuto di nuovo. Quando è premuto per 3 secondi attiva la microregolazione*. Per disattivarla, premete di nuovo

*Microregolazione

Tenendo premuto il tasto Pause per tre secondi, la stampante passa in modalità microregolazione. In questa modalità, potete premere i tasti LF/FF↓ e Load/Eject↑ per regolare le posizioni di inizio stampa o di strappo. Consultate il Capitolo 2, «Utilizzo della stampante».

**Selezione dei font

In modalità microregolazione potete selezionare il font da utilizzare per la stampa premendo il tasto Tear Off. Gli indicatori Tear Off (spenti, accesi o lampeggianti) indicano il font selezionato.

Indicatore Pause

- Acceso quando la stampante è in pausa.
- Lampeggia quando è attiva la microregolazione*.
- Lampeggia quando la testina di stampa è surriscaldata.

Introduzione

La stampante a 24 aghi EPSON® LQ-300+ combina prestazioni elevate e un'alta qualità di stampa in un design compatto. Le sue caratteristiche comprendono:

- ❑ Vari percorsi di alimentazione della carta, adatti alle più svariate esigenze di stampa.
- ❑ Gestione di più tipi di carta, inclusi i moduli continui, i moduli a più parti (originale più tre copie), le etichette, i fogli singoli e le buste.
- ❑ Stampa ad alta velocità, che permette di stampare fino a 300 cps (caratteri al secondo) a 10 cpi (caratteri per pollice).

La stampante è fornita insieme al driver di stampante e ad altri programmi, fra cui l'utility EPSON Status Monitor 3 per Microsoft® Windows® Me, 98, 95, 2000 o NT 4.0 che vi permette di controllare lo stato della stampante rapidamente e con facilità.

Convenzioni utilizzate in questa guida

In questa guida vengono usate le seguenti convenzioni:



Pericolo: I paragrafi contrassegnati in questo modo contengono istruzioni che devono essere seguite attentamente per evitare danni o lesioni all'operatore.



Attenzione: queste istruzioni devono essere osservate per evitare danni alle apparecchiature.


Nota: le note contengono importanti informazioni e suggerimenti utili per il funzionamento della stampante.

Norme di sicurezza importanti

Prima di utilizzare la stampante leggete tutte queste istruzioni. Inoltre, seguite tutte le istruzioni e gli avvertimenti presenti all'interno della stampante.

- ❑ Non appoggiate la stampante su una superficie instabile o vicino a un radiatore o a una fonte di calore.
- ❑ Collocate la stampante su una superficie piana. La stampante non funziona correttamente se è inclinata.
- ❑ Non ostruite le aperture dell'involucro della stampante e non inserite oggetti nelle aperture.
- ❑ Utilizzate esclusivamente il tipo di alimentazione elettrica indicato sull'etichetta della stampante.

- ❑ Collegare la stampante a una presa elettrica dotata di messa a terra. Evitate di utilizzare prese di corrente a cui sono allacciati impianti di condizionamento, fotocopiatrici o altri dispositivi che si accendono e si spengono con regolarità.
- ❑ Non utilizzate un cavo di alimentazione danneggiato.
- ❑ Se utilizzate una prolunga, assicuratevi che l'assorbimento totale di corrente degli apparecchi collegati non superi il valore massimo ammesso. Inoltre, assicuratevi che l'assorbimento totale degli apparecchi collegati alla presa elettrica non superi la corrente massima ammessa per quel tipo di presa.
- ❑ Prima di pulire la stampante, staccate il cavo di alimentazione dalla presa. Per la pulizia utilizzate sempre un panno umido.
- ❑ Non versate liquidi sulla stampante.
- ❑ Ad eccezione dei casi specificamente indicati in questa guida, non tentate di intervenire personalmente sulla stampante.
- ❑ Quando si verificano le seguenti condizioni, scollegate la stampante e fate riferimento per la manutenzione a personale qualificato:
 - i. Il cavo o la presa sono danneggiati.
 - ii. È entrato del liquido nella stampante.
 - iii. La stampante è rimasta esposta all'acqua o l'involucro esterno è danneggiato.
 - iv. La stampante non opera normalmente o mostra un sensibile calo nelle prestazioni.

- ❑ Regolate solo quei controlli che sono indicati nelle istruzioni operative.
- ❑  Le parti della stampante contrassegnate con questo simbolo potrebbero essere calde. Spegnete la stampante e lascetela raffreddare per alcuni minuti prima di toccare una parte che porta questo simbolo.

Segnalazione di pericolo per la testina di stampa



Il simbolo sulla testina di stampa indica che questa parte potrebbe essere calda. Non toccate mai la testina di stampa dopo che la stampante è appena stata usata. Lasciate raffreddare la testina di stampa alcuni minuti prima di toccarla.

Specifiche ENERGY STAR®



Come partner del programma ENERGY STAR®, EPSON ha fatto in modo che questa stampante soddisfi le specifiche del programma ENERGY STAR®, che ha lo scopo di rendere le apparecchiature elettroniche più efficienti dal punto di vista energetico.

- ❑ Il programma internazionale ENERGY STAR® per le apparecchiature da ufficio è una collaborazione volontaria tra le industrie produttrici di computer e di apparecchiature da ufficio per promuovere l'introduzione di computer, monitor, stampanti, fax, fotocopiatrici e scanner più efficienti dal punto di vista energetico con lo scopo di ridurre l'inquinamento atmosferico causato dalla produzione di energia.

Come ottenere assistenza

Per ulteriori informazioni sull'installazione e l'uso della stampante e del software, potete rivolgervi al vostro rivenditore autorizzato EPSON o ai servizi di assistenza offerti da EPSON Italia.

Assistenza clienti

La rete dei Centri di Assistenza Tecnica Autorizzati EPSON è in continua espansione: per consentire ai clienti di avere nominativi e indirizzi sempre aggiornati, abbiamo attivato un numero verde (chiamata gratuita) operativo nei giorni feriali dalle 9 alle 13 e dalle 14 alle 18 (il sabato dalle 10 alle 17):

800 - 801101

Attenzione: questo numero non è abilitato a dare informazioni di carattere tecnico.

Supporto tecnico

Il servizio supporta tutte le problematiche relative ai prodotti EPSON: caratteristiche, configurazioni, installazioni, driver. È operativo dal lunedì al venerdì, dalle 9 alle 19:30 con orario continuato, il sabato dalle 10 alle 17, ai seguenti numeri:

02 26 83 00 58

02 28 04 06 98 (fax)

Il sito Internet

All'indirizzo del sito Internet di Epson Italia

<http://www.epson.it>

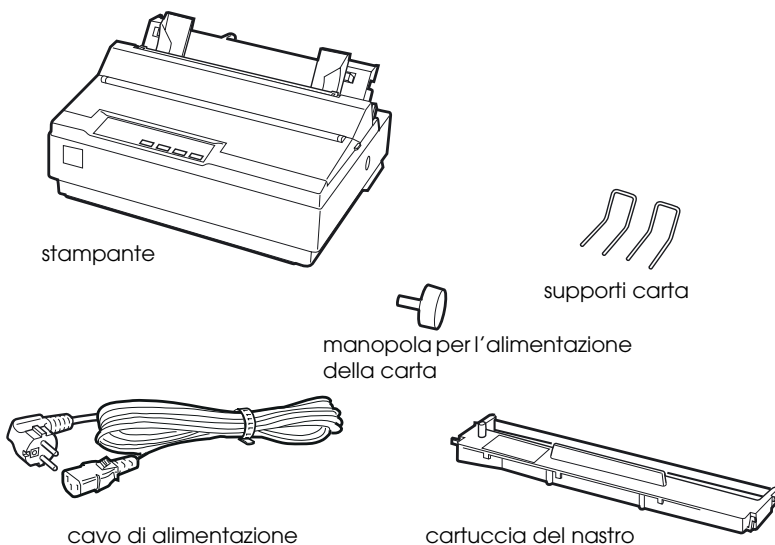
potrete trovare informazioni su:

- tutti i prodotti EPSON;
- eventi e fiere a cui l'azienda partecipa;
- come ottenere supporto tecnico;
- i Centri di Assistenza Tecnica Autorizzati;
- i driver e le utility;
- informazioni istituzionali e notizie per la stampa

Installazione della stampante

Disimballaggio della stampante

Oltre ai componenti indicati nella seguente illustrazione, la confezione della stampante dovrebbe contenere un CD ROM del software per la stampante e un foglio di avvertenze. Controllate che tutto quanto sia stato incluso nella confezione.



Nota:

A seconda del modello, il cavo di alimentazione potrebbe essere permanentemente collegato alla stampante. Inoltre, la forma della spina del cavo è diversa in funzione del paese in cui la stampante viene venduta; assicuratevi che la spina del cavo sia del tipo adatto.

**Attenzione:**

La stampante è disponibile in vari modelli progettati per tensioni di alimentazione diverse e non è possibile cambiare la tensione della stampante. Se l'etichetta posta sul retro non riporta la tensione corretta, rivolgetevi al rivenditore.

Dovete rimuovere tutti i materiali d'imballaggio prima di installare e accendere la stampante. Per rimuovere questi materiali, seguite quanto indicato nel foglio di istruzioni (incluso nella stampante).

Conservate la confezione e il materiale d'imballaggio per poterli riutilizzare in caso di trasporto della stampante. Essa dovrebbe essere sempre trasportata nella sua confezione originale.

Dove installare la stampante

Scegliete il posto più adatto alla stampante seguendo le indicazioni riportate di seguito:

- ❑ Collocate la stampante su una superficie piana e stabile. La stampante non può funzionare correttamente se è inclinata.
- ❑ Collocate la stampante in una posizione che consenta, se necessario, di collegare facilmente il cavo di rete.
- ❑ Lasciate abbastanza spazio attorno alla stampante per le normali operazioni di stampa e manutenzione.
- ❑ Evitate di conservare o utilizzare la stampante in posizioni soggette a rapidi sbalzi di temperatura e umidità. Scegliete un luogo non esposto alla luce solare diretta o a fonti di calore e riparato dall'umidità e dalla polvere.
- ❑ Evitate posizioni soggette a urti e vibrazioni.
- ❑ Collocate la stampante vicino a una presa di corrente, in modo da poter staccare facilmente il cavo di alimentazione.

- ❑ Evitate di utilizzare prese elettriche controllate da interruttori a parete o da timer automatici. L'interruzione di corrente potrebbe cancellare informazioni dalla memoria della stampante o del computer. Evitate inoltre prese collegate allo stesso circuito utilizzato per apparecchiature ad elevato assorbimento che possono causare variazioni di tensione.
- ❑ Tenete l'intero sistema lontano da potenziali sorgenti di interferenza elettromagnetica, come ad esempio altoparlanti o le basi dei telefoni senza filo.
- ❑ Utilizzate una presa di alimentazione dotata di messa terra e non usate adattatori.

Se intendete collocare la stampante su un carrello, tenete presenti le seguenti indicazioni:

- ❑ Utilizzate un carrello in grado di sostenere almeno 20 kg.
- ❑ Non utilizzate mai un supporto inclinato. La stampante deve essere sempre tenuta in piano.
- ❑ Collegate il cavo di alimentazione e di interfaccia della stampante in modo che non interferiscano con l'alimentazione della carta. Se possibile, fissate i cavi a una gamba del carrello.

Assemblaggio della stampante

Questa sezione fornisce informazioni per assemblare e mettere in funzione la stampante.

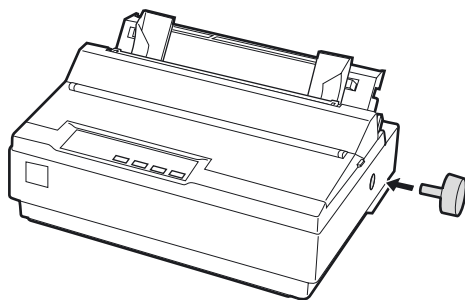
Consultate "Parti della stampante" nella prima pagina di questo manuale per i nomi dei singoli componenti.

Installazione della manopola per l'alimentazione della carta

Il primo passo da compiere per assemblare la stampante è quello di installare la manopola per l'alimentazione della carta.

Seguite questi passi per installare la manopola per l'alimentazione della carta:

1. Inserite la manopola nel foro posto sulla parte laterale della stampante e ruotatela lentamente fino a quando non scivola lungo il perno.



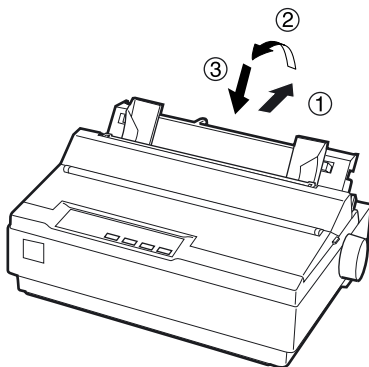
2. Spingete con decisione la manopola fino a quando non si adatta al corpo della stampante.

Inserimento dei supporti per la carta

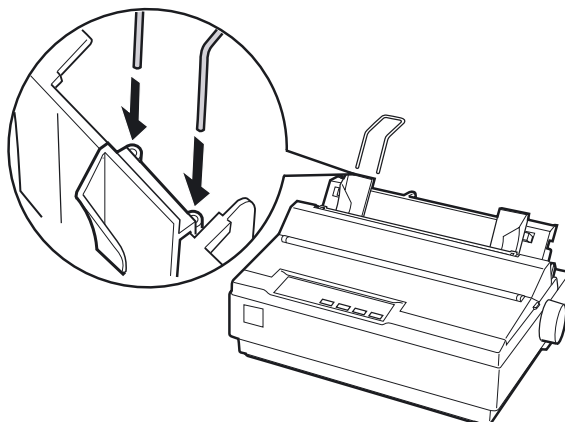
Prima di utilizzare la stampante dovete installare i supporti per la carta.

Seguite questi passi per installare i supporti per la carta sulla stampante:

1. Tirate il guidacarta verso l'esterno. Sollevatelo e spingetelo con decisione fino a che non si adatta in posizione.



2. Prendete uno dei supporti per la carta e inseritene la punta negli alloggiamenti posti sulla guida laterale.



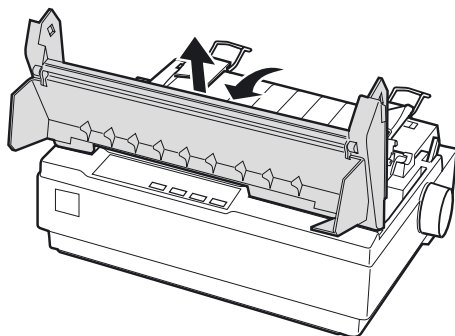
3. Ripetete il passo 2 per l'altro supporto per la carta.

Installazione o sostituzione della cartuccia del nastro

Prima di installare la cartuccia del nastro, assicuratevi che la stampante non sia collegata alla presa di corrente.

Seguite questi passi per installare o sostituire la cartuccia del nastro:

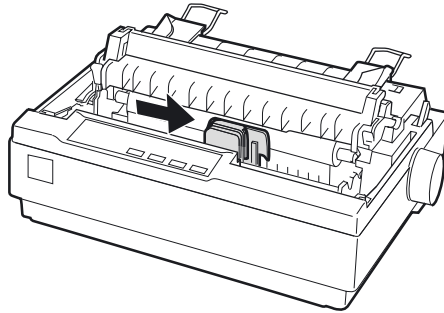
1. Aprite il coperchio in posizione verticale, quindi tiratelo verso l'alto per rimuoverlo.



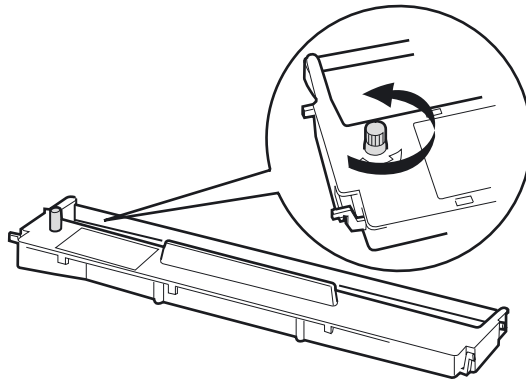
Pericolo:

Non spostate mai la testina di stampa quando la stampante è accesa poiché potreste danneggiare la stampante. Inoltre, se avete appena terminato di utilizzare la stampante, lasciate raffreddare la testina di stampa per qualche minuto prima di toccarla.

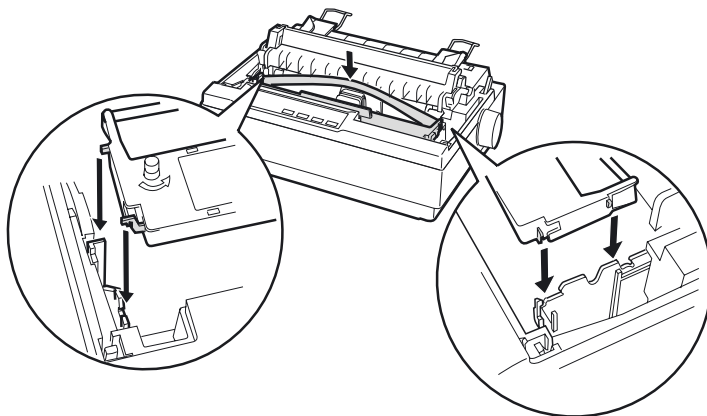
2. Fate scivolare la testina di stampa fino al centro della stampante.



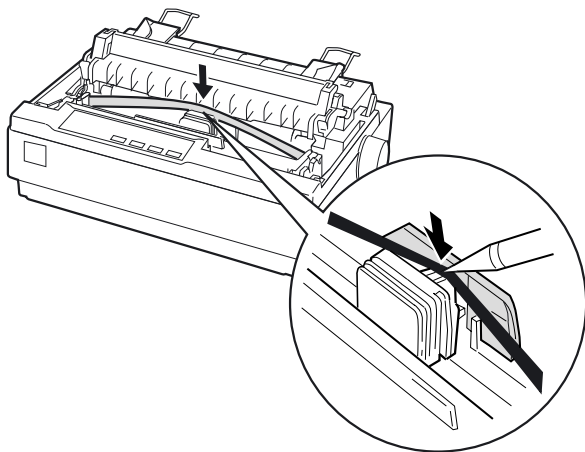
3. Girate la manopola tendinastro in direzione della freccia per tendere il nastro e rendere così più semplice l'installazione.



4. Inserite la cartuccia del nastro nella stampante come mostrato qui di seguito; spingete quindi con decisione su entrambi i lati della cartuccia per inserire i ganci di plastica negli alloggiamenti posti sulla stampante.



5. Utilizzate un oggetto appuntito, come ad esempio la punta di una penna a sfera, per inserire il nastro fra la testina di stampa e il guidanastro. Ruotate la manopola tendinastro per favorire il posizionamento del nastro che non deve essere rigirato o spiegazzato.



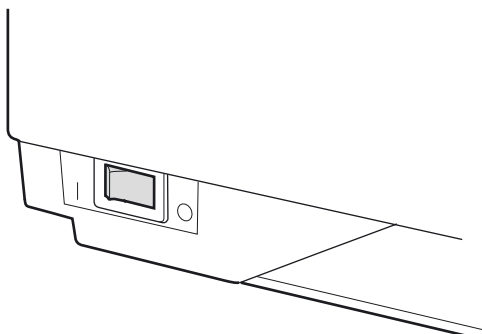
6. Fate scivolare la testina di stampa da parte a parte per verificare che si muova agevolmente.
7. Reinstallate e chiudete il coperchio della stampante.

Quando la stampa risulta sbiadita è necessario sostituire la cartuccia del nastro. Per rimuovere la vecchia cartuccia del nastro, spostate prima la testina di stampa verso il centro della stampante. Rimuovete quindi la cartuccia sollevando le linguette poste su entrambi i lati ed estraetela dalla stampante.

Collegamento della stampante all'alimentazione

Seguite questi passi per collegare la stampante all'alimentazione:

1. Assicuratevi che la stampante sia spenta. La stampante è spenta quando la parte contrassegnata con ○ dell'interruttore di alimentazione è spinta verso il basso.



2. Controllate che la tensione indicata sull'etichetta posta sul retro della stampante corrisponda a quella della presa elettrica.



Attenzione:

Se la tensione della presa elettrica e quella indicata nell'etichetta della stampante non corrispondono, rivolgetevi al vostro rivenditore. In tal caso, non collegate la stampante all'alimentazione.

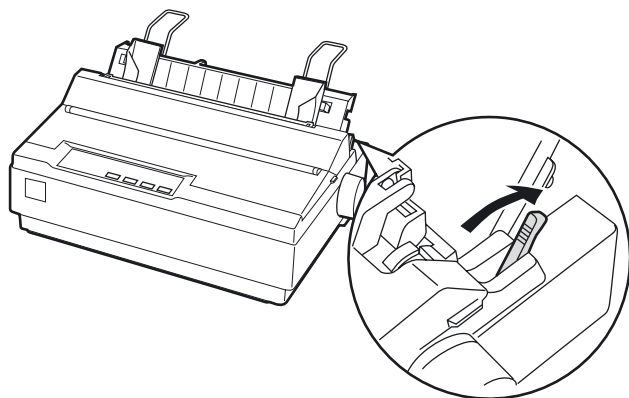
3. Se il cavo di alimentazione non è già fissato alla stampante, inserite la spina femmina nella presa CA sul retro della stampante.
4. Inserite il cavo di alimentazione in una presa dotata di messa a terra.

Esecuzione del test automatico

Utilizzate il test interno automatico per controllare che la stampante stia funzionando correttamente. Potete eseguire il test sia con la carta a modulo continuo sia con i fogli singoli; in questa sezione viene descritto il procedimento più semplice, ovvero quello con i fogli singoli.

Seguite questi passi per eseguire il test automatico:

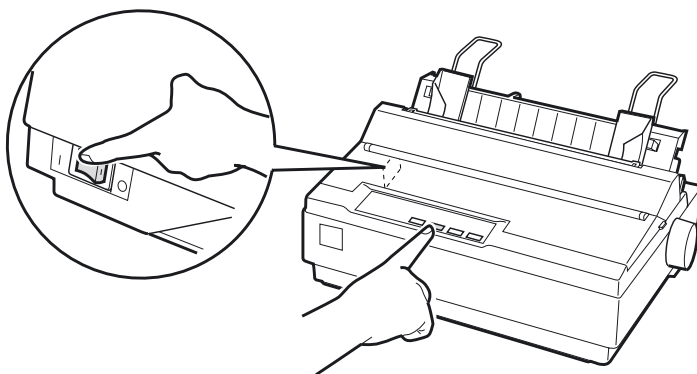
1. Assicuratevi che la stampante sia spenta. Assicuratevi inoltre che la levetta per il rilascio della carta sia spinta all'indietro nella posizione per fogli singoli e che il guidacarta si trovi in in posizione verticale, come mostrato nel seguito.



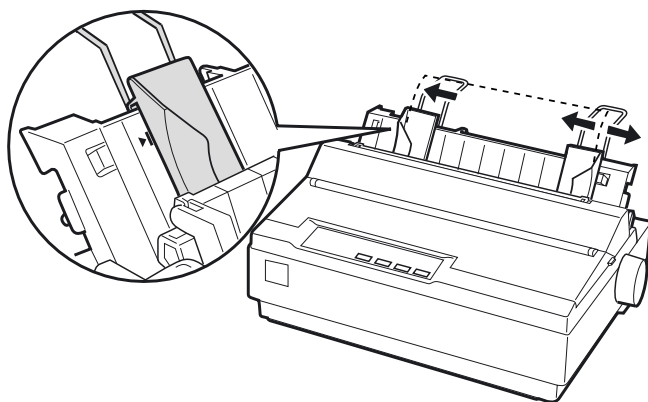
Attenzione:

Per eseguire il test interno della stampante è consigliabile utilizzare carta di larghezza di almeno 210 mm. In caso contrario la testina stampa direttamente sul piano di battuta.

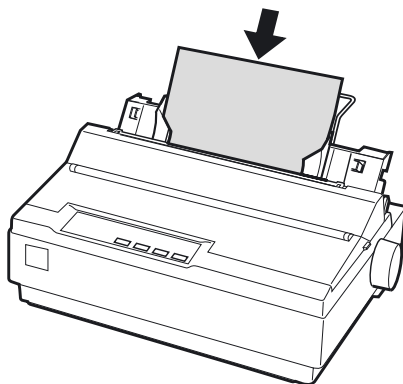
2. Accendete la stampante tenendo premuto il tasto LF/FF.



3. Fate scivolare la guida laterale sinistra fino a farla scattare in posizione in corrispondenza della tacca posta sul guidacarta. Successivamente, spostate la guida laterale destra fino a farla corrispondere con la larghezza della carta.



- Fate scivolare con decisione un foglio di carta fra le guide laterali fino a quando non incontra resistenza. La stampante caricherà il foglio automaticamente e inizierà a stampare il test automatico.



- Per sospendere temporaneamente il test, premete il tasto PAUSE.
- Per terminare il test, assicuratevi che la stampante non stia stampando. Premete il tasto LF/FF per espellere il foglio; spegnete quindi la stampante.

Qui di seguito è mostrata una parte di un tipico test automatico:

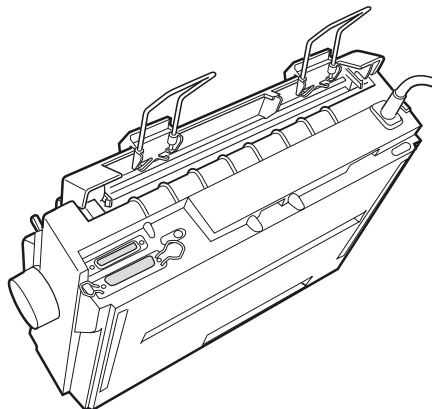
```
!"#$%&'()*+,-./0123456789:;<=>?@ABCDEFGHI  
!"#$%&'()*+,-./0123456789:;<=>?@ABCDEFGHI  
!"#$%&'()*+,-./0123456789:;<=>?@ABCDEFGHIJ  
#$%&'()*+,-./0123456789:;<=>?@ABCDEFGHIJK  
$%&'()*+,-./0123456789:;<=>?@ABCDEFGHIJKL  
%&'()*+,-./0123456789:;<=>?@ABCDEFGHIJKLM  
&'()*+,-./0123456789:;<=>?@ABCDEFGHIJKLMN
```

Nota:

Se il test automatico non stampa in modo soddisfacente, consultate il Capitolo 4, "Problemi e soluzioni". Se la stampa del test automatico è soddisfacente, passate alla sezione successiva.

Collegamento della stampante al computer

La vostra stampante è dotata di un'interfaccia parallela compatibile IEEE-1284 e di un'interfaccia seriale EIA-232D. Prima di cominciare, ponete la stampante in posizione verticale, come mostrato nel seguito. (In questo modo risulterà più semplice connettere il cavo.)



Collegate il vostro computer all'interfaccia desiderata come descritto nel seguito.

Nota:

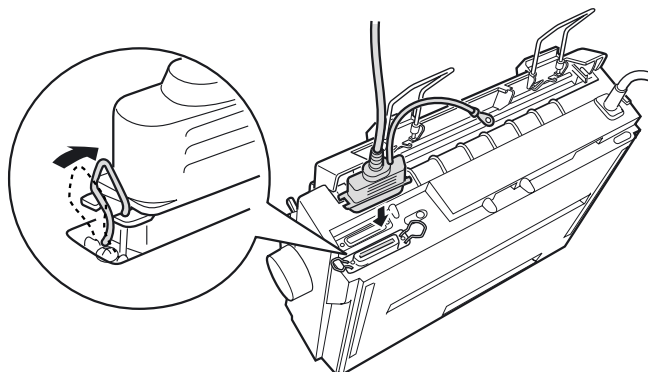
È possibile connettere un cavo ad entrambe le interfacce; la stampante selezionerà automaticamente l'interfaccia dalla quale sta ricevendo i dati.

Utilizzo dell'interfaccia parallela

Per utilizzare l'interfaccia parallela è necessario un doppio ritorto schermato lungo non più di due metri.

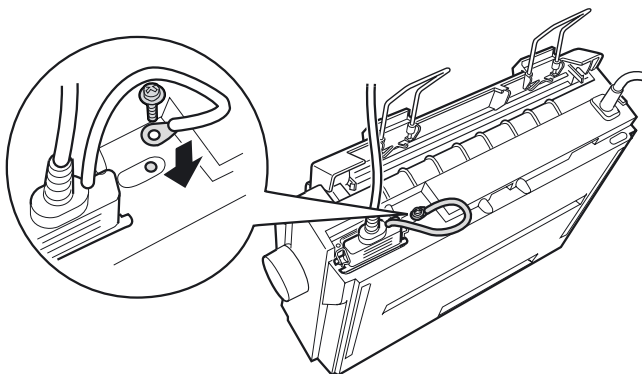
Seguite questi passaggi per collegare la stampante al computer utilizzando l'interfaccia parallela:

1. Spegnete sia il computer sia la stampante.
2. Inserite il connettore del cavo parallelo nella porta dell'interfaccia parallela in modo che sia saldamente collegato alla stampante. Stringete le mollette su entrambi i lati del connettore fino a quando non scattano in posizione.



Nota:

Se il cavo parallelo è dotato di un cavo di messa a terra, collegatelo al connettore posto sulla destra della porta dell'interfaccia parallela.



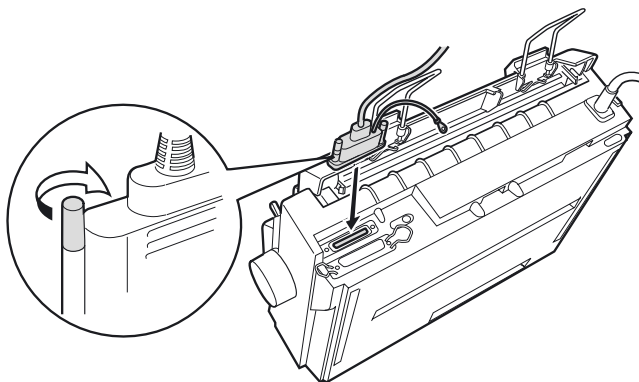
3. Inserite l'altro capo del cavo nella porta dell'interfaccia parallela del computer. (Se esiste un cavo di messa a terra, collegatelo al connettore di messa a terra posto sul retro del computer).

Utilizzo dell'interfaccia seriale

Per utilizzare l'interfaccia seriale è necessario un cavo che abbia un connettore maschio DB-25 sull'estremità da collegare alla stampante.

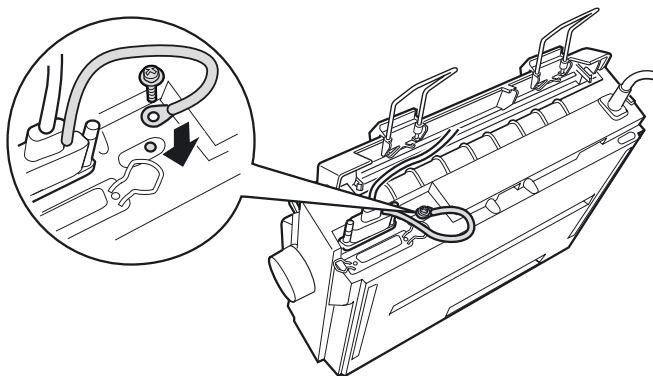
Seguite questi passaggi per collegare la stampante al computer utilizzando l'interfaccia seriale:

1. Spegnete sia il computer sia la stampante.
2. Inserite il connettore del cavo seriale in modo che sia saldamente collegato alla porta dell'interfaccia seriale della stampante. Stringete le viti poste su entrambi i lati del connettore.



Nota:

Se il cavo seriale è dotato di un cavo di messa a terra, collegatelo al connettore posto sulla destra della porta dell'interfaccia.



3. Inserite l'altra estremità del cavo nella porta dell'interfaccia seriale del computer e stringete le viti poste su entrambi i lati del connettore. (Se esiste un cavo di messa a terra, collegatelo al connettore di messa a terra posto sul retro del computer).
4. Se necessario, utilizzate la modalità Impostazioni di default per modificare il baud rate o il bit di parità. Consultate "Impostazioni predefinite della stampante" a pagina 2-3".

Installazione del software della stampante

Dopo aver collegato la stampante al computer, dovete installare il software incluso nel CD-ROM del software EPSON fornito con la stampante.

Il software della stampante include:

- ❑ **Driver di stampante**
Il driver di stampante è il software che controlla la stampante. Con esso è possibile effettuare impostazioni come la qualità di stampa, la risoluzione e il formato della carta.
- ❑ **EPSON Status Monitor 3 (solo Windows Me, 98, 95, 2000 o NT 4.0)**
EPSON Status Monitor 3 vi informa sugli errori della stampante e visualizza le informazioni sullo stato della stampante.
- ❑ **EPSON Remote! (utility DOS per l'impostazione della stampante)**
L'utility EPSON Remote! vi permette di cambiare facilmente dal computer le impostazioni di default della stampante. Consultate "Utilizzo dell'utility EPSON Remote!" a pagina 3-23.

Per installare il software della stampante, consultate "Installazione del software in Windows Me, 98, 95, 2000, o NT 4.0" a pagina 1-21. Se state utilizzando il DOS, consultate "Per gli utenti di programmi DOS" a pagina 1-24.

Installazione del software in Windows Me, 98, 95, 2000, o NT 4.0

Seguite i passi descritti nel seguito per installare il software in Windows Me, 98, 95, 2000, o NT 4.0:

Nota:

- ❑ *L'installazione del software della stampante sotto Windows 2000 o NT 4.0 potrebbe richiedere i privilegi di amministratore di rete. Per ulteriori informazioni, chiedete al vostro amministratore di rete.*
 - ❑ *Se volete fare una copia su dischetto del software della stampante presente sul CD-ROM, inserite il CD e avviate il programma EPSETUP. Nella finestra di dialogo che appare, fate clic sul pulsante Creazione disco driver e seguite le istruzioni sullo schermo.*
 - ❑ *Se state utilizzando la versione su dischetto del software della stampante, prima di iniziare l'installazione fatene una copia.*
 - ❑ *Se, quando accendete il computer, appare la schermata Nuovo componente hardware individuato o un qualunque altro programma di installazione guidata, fate clic su Annulla e seguite i passi qui di seguito.*
 - ❑ *Se appare la schermata "Firma digitale non trovata", fate clic su Sì. Se fate clic su No, dovete reinstallare il driver della stampante come descritto qui di seguito.*
 - ❑ *Il tempo di installazione varia a seconda del tipo di computer.*
1. Assicuratevi che Windows Me, 98, 95, 2000, o NT 4.0 sia avviato e la stampante spenta.
 2. Inserite il CD con il software per la stampante nel drive del CD-ROM. Appare la finestra di dialogo Installazione. Se utilizzate il dischetto, inseritelo nel relativo drive, quindi fate due volte clic sull'icona del dischetto e due volte clic sull'icona Setup.exe.

3. Fate clic su **Installazione** per avviare l'installazione del software della stampante.
4. Selezionate la stampante dall'elenco, quindi seguite le istruzioni sullo schermo.

Quando installate il driver della stampante sotto Windows Me, 98, 95, 2000 o NT 4.0, viene anche installata l'utility EPSON Status Monitor 3.

Per le informazioni su come avviare e utilizzare il software, consultate il Capitolo 3, "Utilizzo del software della stampante".

Installazione del software in Windows 3.1 o NT 3.5x

Seguite i passi seguenti per installare il software della stampante sotto Windows 3.1 o NT 3.5x:

Nota:

L'installazione del software della stampante sotto Windows NT 3.5x potrebbe richiedere i privilegi di amministratore di rete. Per ulteriori informazioni, chiedete al vostro amministratore di rete.

1. Assicuratevi che Windows sia avviato e che la finestra di Program Manager sia aperta.
2. Inserite il CD-ROM del software per la stampante nel drive CD-ROM (se utilizzate la versione su dischetto, inserite il Disco 1 del software della stampante nel drive per dischetti).
3. Nel menu File scegliete **Esegui**. Apparirà la finestra di dialogo Esegui. Nella riga di comando digitate D:SETUP (se il drive CD-ROM ha una lettera diversa da "D", o se state utilizzando la versione su dischetto, sostituitemela con la lettera appropriata). Fate quindi clic su **OK**.

Nota:

Se volete fare una versione su dischetto del software della stampante incluso nel CD-ROM, digitate EPSETUP invece di SETUP. Nella finestra di dialogo che appare, fate clic sul pulsante dell'utility Creazione disco driver e seguite le istruzioni sullo schermo.

4. Il programma di installazione inizia a copiare i file del software della stampante.
5. Quando l'installazione è completata, fate clic su OK per uscire dal programma di installazione.

Il programma di installazione seleziona automaticamente la stampante LQ-300+ come stampante di default per le applicazioni Windows.

Per le informazioni su come avviare e utilizzare il software, consultate il Capitolo 3, "Utilizzo del software della stampante".

Per gli utenti di programmi DOS

Per controllare la stampante da programmi applicativi DOS, dovete selezionare la stampante che state utilizzando o un'altra stampante disponibile dall'elenco delle stampanti della vostra applicazione.

Selezionate la stampante EPSON LQ-300+ al passo appropriato della procedura di impostazione o di installazione del vostro programma applicativo DOS. Se l'elenco dell'applicazione non include la stampante LQ-300+ selezionate la prima stampante disponibile di questo elenco:

LQ-300	FX-86e/800
LQ-580/LQ-570e	JX-80
LX-810/850	EX-800
LX-800	EPSON LQ printer
LX-80/86	EPSON FX printer
FX-850	EPSON printer

Se volete stampare a colori, dovete selezionare LQ-300. Le altre stampanti non sono in grado di stampare a colori.

Nota:

Se la vostra applicazione non elenca un'alternativa possibile, contattate il produttore del vostro programma per verificare se è disponibile un aggiornamento.

EPSON®

LQ-300+

Impresora matricial de 24 agujas

Manual del Usuario

Todos los derechos reservados. Ninguna parte de esta publicación puede reproducirse, ni almacenarse en un sistema de recuperación o transmitirse en cualquier forma o por cualquier medio electrónico, mecánico, fotocopiado, grabado, etc. sin el previo permiso escrito de SEIKO EPSON CORPORATION. La información contenida aquí es exclusiva para esta impresora EPSON. EPSON no se hace responsable de la utilización de dicha información para otras impresoras.

SEIKO EPSON CORPORATION y sus afiliados no se hacen responsables ante el adquirente de este producto o ante terceros de daños, pérdidas, costes o gastos en que pueda incurrir el adquirente o terceros como consecuencia de: accidente, mal uso o abuso de este producto, así como tampoco de modificaciones, reparaciones o alteraciones no autorizadas de este producto, o (excepto en los EEUU) el no cumplimiento estricto de las instrucciones de funcionamiento y mantenimiento de SEIKO EPSON CORPORATION.

EPSON y EPSON ESC/P son marcas comerciales registradas y EPSON ESC/P2 es una marca comercial de SEIKO EPSON CORPORATION.

Microsoft, Windows y Windows NT son marcas comerciales registradas de Microsoft Corporation.

IBM es una marca comercial registrada de International Business Machines Corporation.

Aviso general: Otros nombres de productos se utilizan solamente con fines de identificación y pueden ser marcas comerciales de sus respectivos propietarios. EPSON renuncia a todos y cada uno de los derechos sobre estas marcas.

Copyright © 2000 por SEIKO EPSON CORPORATION, Nagano, Japón

Conocer la impresora

La impresora matricial EPSON® LQ-300+ de 24 agujas proporciona una impresión de alta calidad y unas altas prestaciones en un diseño compacto. Características:

- ❑ Varios recorridos de papel para adaptarse a cada tipo de impresión.
- ❑ Posibilidad de trabajar con muchos tipos de papel, incluyendo papel continuo, impresos con copias (original y hasta tres copias), etiquetas, hojas sueltas y sobres.
- ❑ Alta velocidad de impresión, de hasta 300 cps (caracteres por segundo) a 10 cpp (caracteres por pulgada).

Junto con la impresora se entrega el controlador de la misma y otras utilidades, entre las que se encuentran EPSON Status Monitor 3 para Microsoft® Windows® Me, 98, 95, 2000 o NT 4.0. La utilidad EPSON Status Monitor 3 le permite comprobar el estado de la impresora de forma rápida y sencilla.

Atenciones, Precauciones y Notas

Este manual utiliza las siguientes convenciones:



Las **Atenciones** deben seguirse escrupulosamente para evitar daños personales.



Las **Precauciones** deben observarse para evitar daños en el equipo.

Las **Notas** contienen información importante y consejos útiles acerca del funcionamiento de la impresora.


Instrucciones importantes de seguridad

Lea estas instrucciones de seguridad antes de utilizar la impresora. Además, siga todas las advertencias e instrucciones que aparecen escritas en la impresora.

- ❑ No coloque la impresora sobre una superficie inestable, o cerca de un radiador o fuente de calor.
- ❑ Sitúe la impresora sobre una superficie plana. La impresora no funcionará correctamente si está inclinada o ladeada.
- ❑ No bloquee ni cubra las ranuras y aberturas de la carcasa de la impresora, y no inserte objetos por las ranuras.
- ❑ Utilice sólo el tipo de alimentación indicado en la etiqueta de la impresora.
- ❑ Conecte todos los equipos a tomas de corriente derivadas a masa. No utilice tomas a las que también haya conectadas fotocopiadoras o sistemas de aire acondicionado que se activen y desactiven con regularidad.
- ❑ No utilice un cable de alimentación dañado o deshilachado.
- ❑ Si utiliza una toma múltiple con la impresora, compruebe que el amperaje de todos los dispositivos conectados a la toma no sobrepase el amperaje de ésta. Compruebe también que el amperaje total de todos los dispositivos conectados a la toma no sobrepase el amperaje de ésta.
- ❑ Desconecte la impresora antes de limpiarla, y límpiela sólo con un paño húmedo.
- ❑ No derrame líquidos sobre la impresora.
- ❑ No intente reparar usted mismo la impresora, salvo en los puntos específicamente explicados en este manual.

- ❑ En las siguientes condiciones debe desconectar la impresora y ponerse en contacto con el Servicio Técnico Oficial EPSON más próximo.
 - i. Si el cable de alimentación o el conector están dañados.
 - ii. Si ha penetrado líquido en el interior de la impresora.
 - iii. Si la impresora ha recibido algún golpe o si la carcasa está dañada.
 - iv. Si la impresora no funciona con normalidad o muestra un cambio significativo en sus prestaciones.

- ❑ Ajuste sólo aquellos controles mencionados en las instrucciones de funcionamiento.

- ❑  Las partes de la impresora marcadas con este símbolo pueden estar calientes. Desactive la impresora y déjela enfriar unos minutos antes de tocar ninguna parte de la impresora donde aparezca este símbolo.

- ❑ Si utiliza la impresora en Alemania, tenga en cuenta:

Para proporcionar una protección adecuada de la impresora contra cortocircuitos y sobreintensidades, la instalación del edificio debe estar protegida por un fusible de 10 ó 16 Amp.

Símbolo de precaución del cabezal de impresión



Este símbolo en el cabezal de impresión indica que esta parte podría estar caliente. Nunca toque el cabezal de impresión después de utilizar la impresora. Deje enfriar el cabezal de impresión unos minutos antes de tocarlo.

Normativa ENERGY STAR®



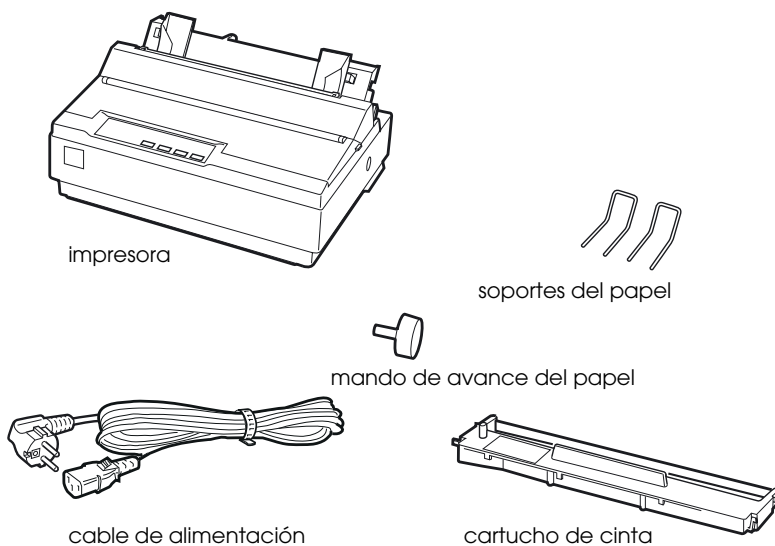
Como miembro de ENERGY STAR®, EPSON ha decidido que este producto cumpla con las especificaciones del Programa Internacional ENERGY STAR® para un mejor aprovechamiento de la energía.

El Programa Internacional ENERGY STAR® para Equipos de Oficina es una colaboración voluntaria de las industrias de equipamiento informático y de oficina para promocionar la introducción de ordenadores personales, monitores, impresoras, fax, fotocopadoras y escáneres que aprovechen mejor la energía, en un esfuerzo por reducir la contaminación atmosférica producida por la generación de energía.

Preparar la impresora

Desempaquetar la impresora

Además de los elementos mostrados en la siguiente figura, la caja de la impresora debe contener un Welcome Pack que incluye el CD-ROM del software de la impresora EPSON y una Hoja de instrucciones. Compruebe que la caja incluya todos los elementos descritos.



Nota:

Según el modelo de impresora, es posible que el cable de alimentación venga conectado de forma permanente. Asimismo, la forma del conector del cable de alimentación también puede variar según el país en el que adquirió la impresora; compruebe que el conector tenga la forma adecuada para su país.

**Precaución:**

Existen varias versiones de la impresora, diseñadas para funcionar bajo diferentes voltajes, y no es posible ajustar la impresora para su utilización a un voltaje distinto. Si la etiqueta de la parte posterior de la impresora no muestra el voltaje correcto para su país, póngase en contacto con su distribuidor.

Deberá retirar todos los materiales protectores de alrededor y del interior de la impresora antes de instalarla y activarla. Siga las instrucciones de la Hoja (que se entrega con la impresora) para retirar estos materiales.

Guarde todos los materiales protectores y de embalaje por si debe transportar la impresora posteriormente. Siempre debe transportarla en su embalaje original.

Elegir un lugar para la impresora

Tenga en cuenta las siguientes observaciones al seleccionar un lugar para la impresora:

- Sitúe la impresora sobre una superficie plana y estable. La impresora no funcionará correctamente si está inclinada o ladeada.
- Coloque la impresora en un lugar donde pueda conectarla fácilmente a un cable de interface de red, si fuera necesario.
- Deje suficiente espacio alrededor de la impresora para facilitar el funcionamiento y mantenimiento.
- Evite utilizar o almacenar la impresora en lugares sujetos a cambios bruscos de temperatura y humedad. Manténgala alejada de la luz directa del sol, de la luz intensa, de fuentes de calor y de la humedad o polvo excesivos.
- Evite los lugares sometidos a impactos y vibraciones.

- ❑ Coloque la impresora cerca de una toma de corriente, de forma que pueda desconectar fácilmente el cable de alimentación.
- ❑ Evite las tomas eléctricas controladas por conmutadores de pared o por temporizadores automáticos. El corte accidental de alimentación puede borrar información de la memoria de la impresora o del ordenador. Evite también las tomas que se encuentren en el mismo circuito que motores de gran tamaño u otros aparatos que puedan causar fluctuaciones de voltaje.
- ❑ Mantenga todo el sistema informático alejado de fuentes potenciales de interferencias electromagnéticas, tales como altavoces o las unidades base de los teléfonos inalámbricos.
- ❑ Utilice una toma eléctrica convenientemente derivada a masa; no utilice un adaptador.

Si ha pensado en utilizar un soporte para la impresora, siga estas directrices básicas:

- ❑ Utilice un soporte que aguante 20 kg. como mínimo.
- ❑ Nunca utilice un soporte en que la impresora quede inclinada. La impresora siempre debe quedar plana.
- ❑ Coloque el cable de alimentación de la impresora y el cable del interface de modo que no interfieran con el avance del papel. Si fuera posible, ate los cables a una pata del soporte de la impresora.

Instalar la impresora

Siga los pasos de esta sección para instalar la impresora y empezar a trabajar con ella.

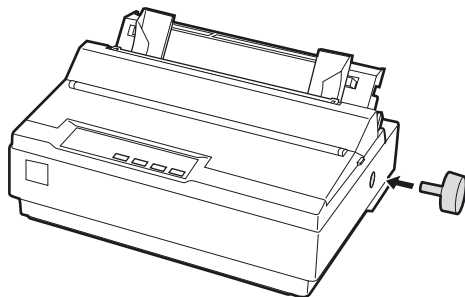
En la sección “Partes de la impresora”, en la última página de este manual, encontrará los nombres de las partes de la impresora individual.

Instalar el mando de avance del papel

El primer paso del proceso de instalación de la impresora es instalar el mando de avance del papel.

Siga los pasos descritos a continuación para instalar el mando de avance del papel:

1. Introduzca el mando en el orificio lateral de la impresora y gírelo lentamente hasta que quede encajado en el eje.



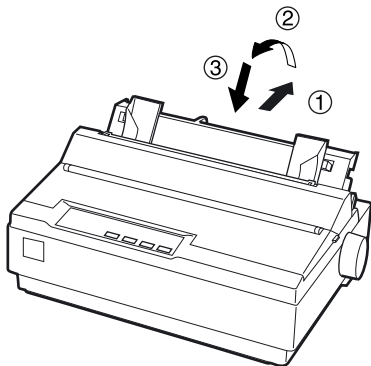
2. Presione con firmeza el mando de avance del papel hasta que encaje en la carcasa de la impresora.

Instalar los soportes del papel

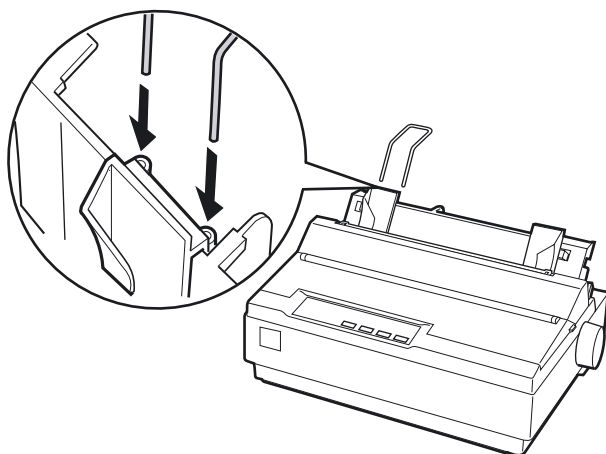
Antes de empezar a utilizar la impresora, debería instalar los soportes del papel.

Siga los pasos descritos a continuación para instalar los soportes del papel en la impresora:

1. Tire de la guía del papel hacia atrás. Levántela, y presiónela con firmeza hasta que encaje en su posición.



2. Sujete uno de los soportes del papel y encaje las puntas del soporte en las muescas de la guía lateral.



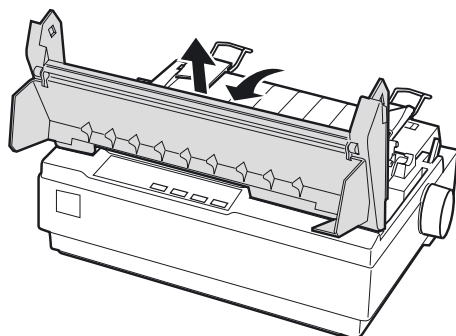
3. Repita el paso 2 para el otro soporte del papel.

Instalar o sustituir el cartucho de cinta

Antes de instalar el cartucho de cinta, compruebe que la impresora no esté conectada a una toma de corriente.

Siga los pasos descritos a continuación para instalar o sustituir el cartucho de cinta:

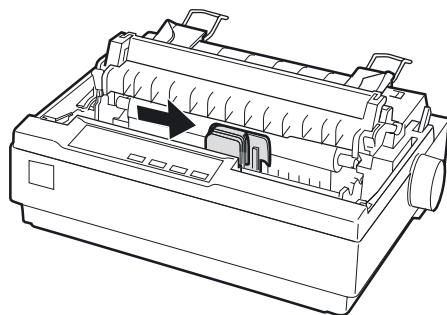
1. Abra la tapa de la impresora, colóquela en posición vertical y tire de ella para extraerla.



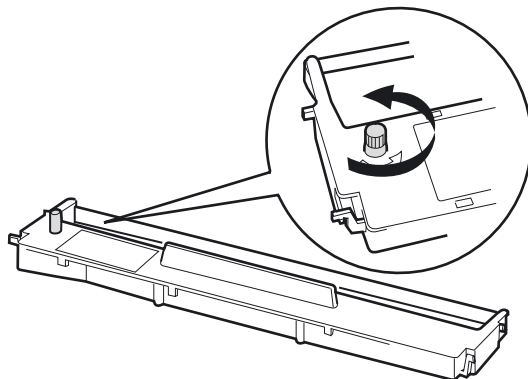
Atención:

Nunca desplace el cabezal de impresión si la impresora está activada, ya que podría resultar dañada. Igualmente, si acaba de utilizar la impresora, deje enfriar el cabezal de impresión unos minutos antes de tocarlo.

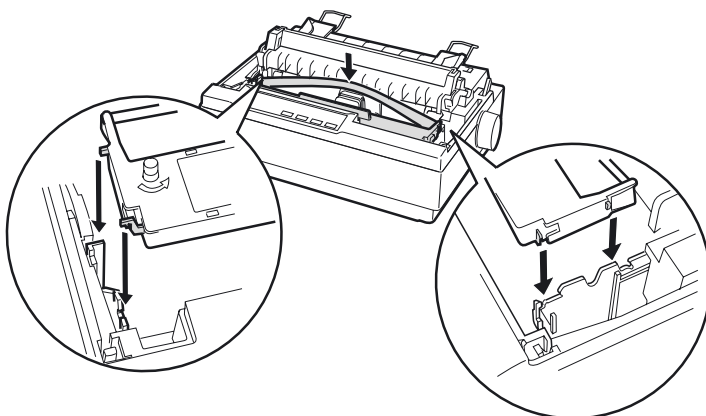
2. Deslice el cabezal de impresión hasta el centro de la impresora.



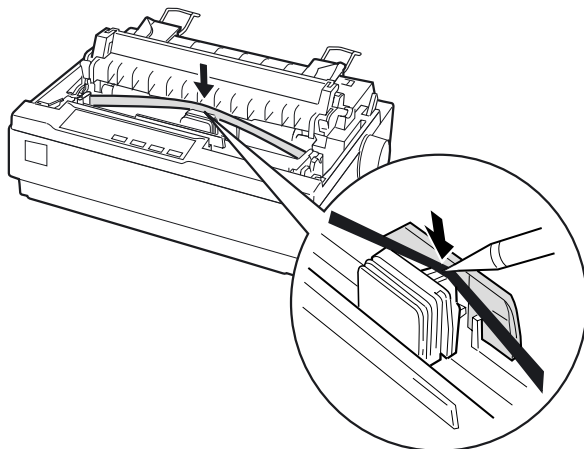
3. Gire el mando tensor de la cinta en la dirección de la flecha para tensarla y facilitar su instalación.



4. Inserte el cartucho de cinta en la impresora de la forma mostrada en la figura; a continuación, presione con firmeza ambos lados del cartucho para encajar los ganchos de plástico en las ranuras de la impresora.



5. Utilice un objeto puntiagudo, por ejemplo un bolígrafo, para guiar la cinta entre el cabezal de impresión y la guía de la cinta. Gire el mando tensor de la cinta para facilitar el avance correcto de ésta (no debe quedar torcida ni arrugada).



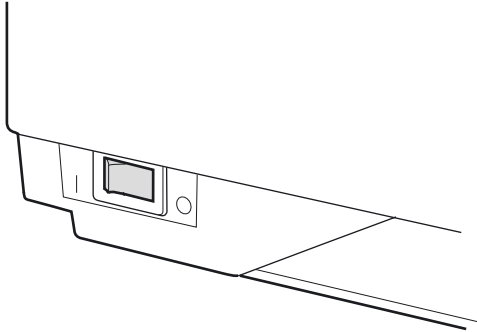
6. Deslice el cabezal de impresión de lado a lado para comprobar que se desplaza correctamente.
7. Instale de nuevo la tapa de la impresora y ciérrela.

Si observa que la impresión se debilita, deberá sustituir el cartucho de cinta. Para retirar el cartucho usado, desplace el cabezal de impresión hasta el centro de la impresora. A continuación, retire el cartucho levantando los anclajes de ambos lados y extrayéndolo de la impresora.

Conectar la impresora

Siga los pasos descritos a continuación para conectar la impresora:

1. Compruebe que el conmutador de alimentación de la impresora esté desactivado. Lo está si el lado ○ del conmutador está pulsado.



2. Compruebe la etiqueta de la parte posterior de la impresora para asegurarse de que el voltaje coincide con el de la toma de corriente.



Precaución:

Si el voltaje especificado y el voltaje de la toma de corriente no coinciden, póngase en contacto con su distribuidor. No conecte el cable de alimentación.

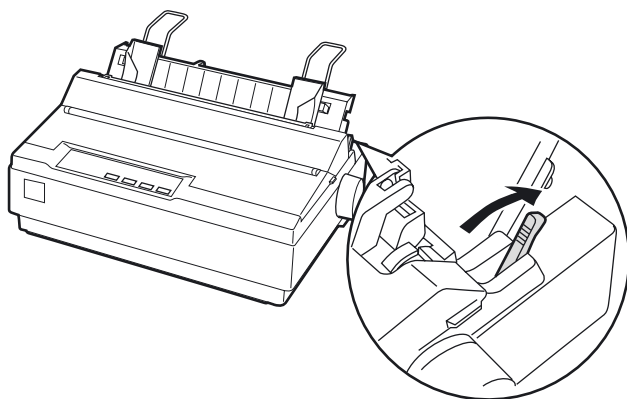
3. Si el cable de alimentación no está conectado a la impresora, conéctelo a la toma de CA de la impresora.
4. Conecte el cable de alimentación a una toma de corriente adecuadamente derivada a masa.

Ejecutar el auto test

La función de auto test incorporada sirve para comprobar que la impresora funciona correctamente. Puede realizar el test tanto con papel continuo como con hojas sueltas. El procedimiento detallado a continuación describe el test más sencillo, utilizando hojas sueltas.

Siga los pasos descritos a continuación para ejecutar el auto test:

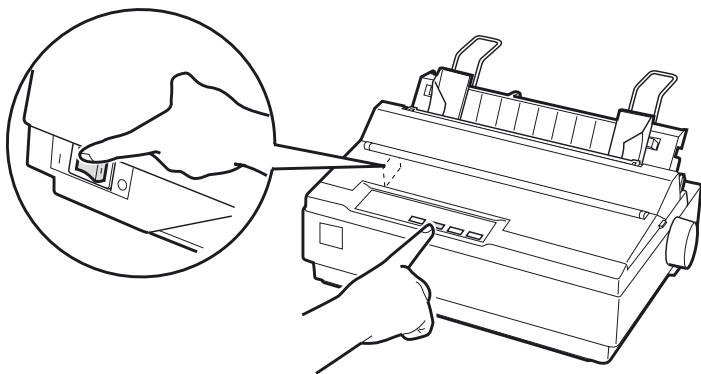
1. Compruebe que la impresora esté desactivada. Compruebe también que la palanca de liberación del papel se encuentre colocada en la posición de hojas sueltas y que la guía del papel se encuentre en posición vertical, tal como se muestra en la figura.



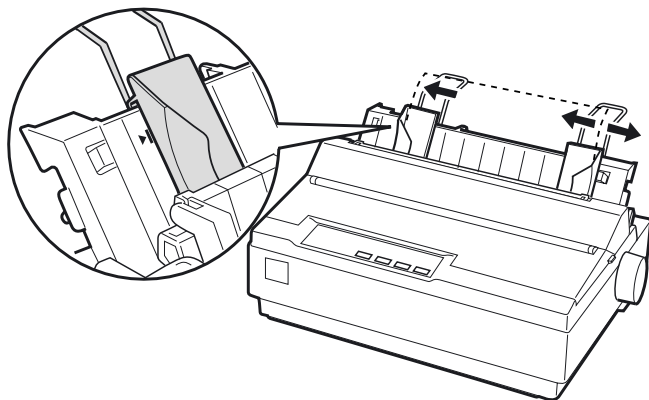
Precaución:

Para realizar el auto test debería utilizar papel de una anchura mínima de 210 mm, ya que en caso contrario el cabezal de impresión imprimirá directamente encima del rodillo.

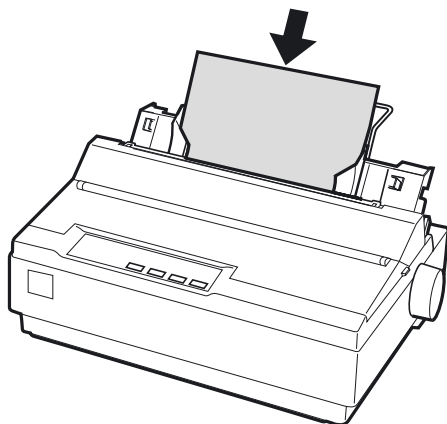
2. Active la impresora mientras mantiene pulsado el botón LF/FF.



3. Desplace la guía lateral izquierda hasta que quede bloqueada en posición, en la marca de la guía. A continuación, ajuste la guía lateral derecha para que coincida con la anchura del papel.



4. Inserte una hoja de papel entre las guías laterales hasta que ofrezca resistencia. La impresora cargará la hoja automáticamente y empezará a imprimir el auto test.



5. Si desea interrumpir la impresión momentáneamente, pulse el botón PAUSE.
6. Para finalizar el auto test, compruebe que la impresora no esté funcionando. Pulse el botón LF/FF para expulsar la hoja y desactive la impresora.

Ésta sería una típica impresión de un auto test:

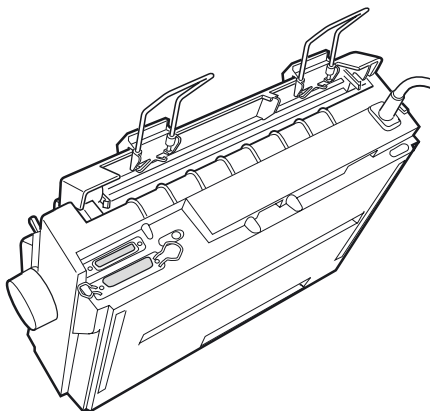
```
!"#$%&'()*+,-./0123456789:;<=>?@ABCDEFGHI  
!"#$%&'()*+,-./0123456789:;<=>?@ABCDEFGHI  
!"#$%&'()*+,-./0123456789:;<=>?@ABCDEFGHIJ  
#$%&'()*+,-./0123456789:;<=>?@ABCDEFGHIJK  
$%&'()*+,-./0123456789:;<=>?@ABCDEFGHIJKL  
%&'()*+,-./0123456789:;<=>?@ABCDEFGHIJKLM  
&'()*+,-./0123456789:;<=>?@ABCDEFGHIJKLMN
```

Nota:

Si el auto test no se ha impreso correctamente, consulte el Capítulo 4, "Solucionar problemas". Si se imprime correctamente, pase a la sección siguiente.

Conectar la impresora al ordenador

Esta impresora dispone de un interface paralelo compatible IEEE-1284 y de un interface serie EIA-232D. Antes de empezar, coloque la impresora en posición vertical, tal como se muestra en la figura. (Esta posición facilita la conexión del cable.)



Conecte el ordenador al interface deseado, de la forma descrita a continuación.

Nota:

Puede conectar un cable a cada interface; la impresora cambia automáticamente al interface adecuado cuando reciba datos.

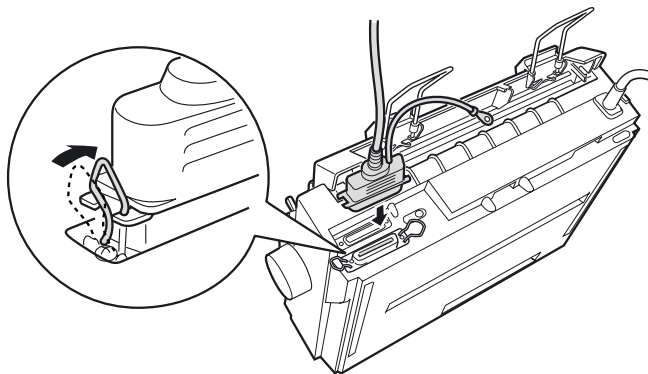
Utilizar el interface paralelo

Necesitará un cable blindado y de pares trenzados, de una longitud no superior a 2 metros, para utilizar el interface paralelo.

Siga los pasos descritos a continuación para conectar la impresora al ordenador mediante el interface paralelo:

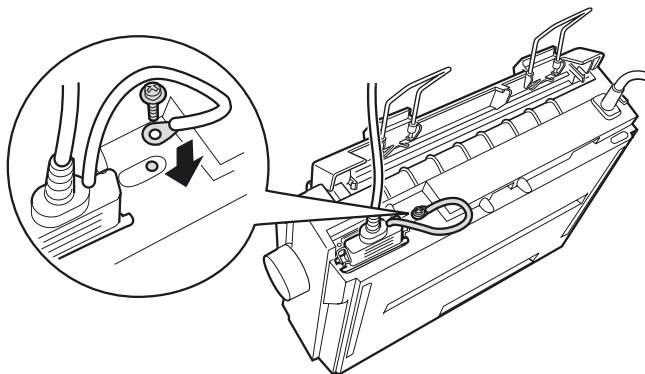
1. Desactive el ordenador y la impresora.

2. Conecte con firmeza el cable paralelo al puerto de interface paralelo de la impresora. Apriete los clips metálicos hasta que queden bloqueados en su posición, a ambos lados del conector.



Nota:

Si el cable dispone de un cable de masa en uno de sus extremos, conéctelo al conector de masa situado a la derecha del puerto de interface paralelo.



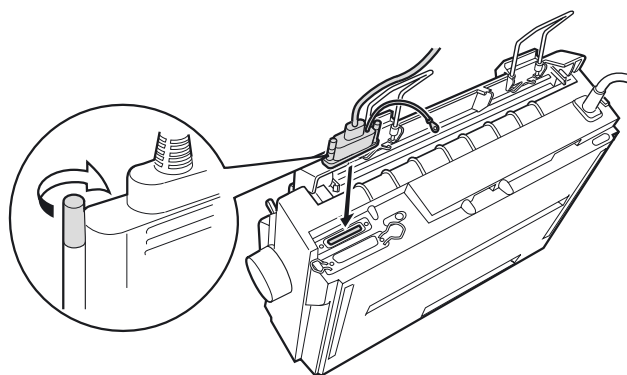
3. Conecte el otro extremo del cable al puerto de interface paralelo del ordenador. (Si el cable dispone de un cable de masa, conéctelo al conector de masa de la parte posterior del ordenador.)

Utilizar el interface serie

Para poder utilizar el interface serie, necesitará un cable serie que disponga de un conector macho DB-25 en el lado de la impresora.

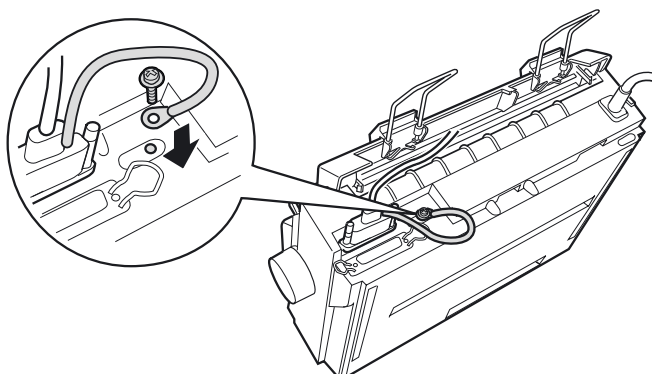
Siga los pasos descritos a continuación para conectar la impresora al ordenador mediante el interface serie:

1. Desactive el ordenador y la impresora.
2. Conecte con firmeza el cable serie al puerto de interface serie de la impresora. Apriete los tornillos de ambos lados del conector.



Nota:

Si el cable dispone de un cable de masa en uno de sus extremos, conéctelo al conector de masa situado en la parte derecha del puerto de interface serie.



3. Conecte el otro extremo del cable al puerto de interface serie del ordenador y apriete los tornillos de ambos lados del conector. (Si el cable dispone de un cable de masa, conéctelo al conector de masa de la parte posterior del ordenador.)
4. Utilice el modo de Ajustes por defecto para cambiar la velocidad o el bit de paridad, si fuera necesario. Consulte la sección "Ajustes por defecto de la impresora" en la página 2-3.

Instalar el software de la impresora

Una vez conectada la impresora al ordenador, deberá instalar el software incluido en el CD-ROM del software de la impresora EPSON, que se entrega con ésta.

El software de la impresora incluye:

- ❑ **Controlador de la impresora**
El controlador de la impresora es la aplicación que ejecuta, o "controla", la impresora. Con él podrá definir ajustes como la calidad de impresión, la resolución y el tamaño del papel.
- ❑ **Utilidad EPSON Status Monitor 3 (Windows Me, 98, 95, 2000 o NT 4.0)**
EPSON Status Monitor 3 le notifica los errores de la impresora y visualiza el estado de ésta.
- ❑ **EPSON Remote!** (utilidad de configuración de la impresora basada en DOS)
La utilidad EPSON Remote! permite cambiar fácilmente los ajustes por defecto de la impresora desde la pantalla del ordenador. Consulte la sección "Usar la utilidad EPSON Remote!" en la página 3-22.

Para instalar el software de la impresora, consulte las secciones "Instalar el software en Windows Me, 98, 95, 2000 o NT 4.0" en la página 1-18 o "Instalar el software en Windows 3.1 o NT 3.5x" en la página 1-19. Si utiliza DOS, consulte la sección "Para programas DOS" en la página 1-21.

Instalar el software en Windows Me, 98, 95, 2000 o NT 4.0

Siga los pasos descritos a continuación para instalar el software de la impresora en Windows Me, 98, 95, 2000 o NT 4.0:

Nota:

- ❑ *La instalación del software de la impresora en Windows 2000 o NT 4.0 puede requerir privilegios de administrador. Si experimenta problemas, consulte con el administrador.*
 - ❑ *Si desea realizar una copia en disquetes del software de la impresora incluido en el CD-ROM, inserte el CD y ejecute el programa EPSETUP. En el cuadro de diálogo que aparece, haga clic en el botón Crear discos del driver y siga las instrucciones que aparezcan en pantalla.*
 - ❑ *Si utiliza la versión en disquetes del software de EPSON, realice una copia de seguridad del disco (o discos) del software de la impresora EPSON antes de iniciar la instalación.*
 - ❑ *Si aparece la pantalla Nuevo hardware encontrado o cualquier otro Asistente al activar el ordenador, haga clic en Cancelar y siga los pasos descritos a continuación.*
 - ❑ *Si aparece la pantalla Firma Digital no encontrada, haga clic en Sí. Si hace clic en NO, deberá instalar de nuevo el controlador de la impresora de la forma descrita a continuación.*
 - ❑ *El tiempo de instalación depende del ordenador.*
1. Compruebe que Windows Me, 98, 95, 2000 o NT 4.0 estén activos y que la impresora esté desactivada.
 2. Inserte el CD del software de la impresora en la unidad de CD-ROM. Aparecerá el cuadro de diálogo de instalación. (Si utiliza un disquete, introdúzcalo en la disquetera. Haga doble clic en el icono de la disquetera y doble clic en el icono Setup.exe).

3. Haga clic en **Instalar** para iniciar la instalación del software de la impresora.
4. Seleccione la impresora en la lista y siga las instrucciones en pantalla.

Si instala el controlador de la impresora en Windows Me, 98, 95, 2000 o NT 4.0, también se instalará la utilidad EPSON Status Monitor 3.

Si desea más información acerca de cómo iniciar y utilizar el software, consulte el Capítulo 3, "Utilizar el software de la impresora".

Instalar el software en Windows 3.1 o NT 3.5x

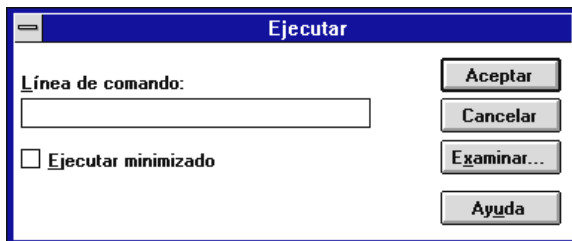
Siga los pasos descritos a continuación para instalar el software de la impresora en Windows 3.1 o NT 3.5x.

Nota:

La instalación del software de la impresora en Windows NT 3.5x puede requerir privilegios de administración de red. Si experimenta problemas, consulte con el administrador.

1. Compruebe que Windows esté activo y que la ventana del Administrador de programas esté abierta.
2. Inserte el CD del software de la impresora (incluido) en la unidad de CD-ROM.

3. Seleccione Ejecutar en el menú Archivo. Aparecerá el cuadro de diálogo Ejecutar. En el cuadro de la Línea de comando, escriba D:\SETUP. (Si la letra de la unidad de CD-ROM no es la "D", o si utiliza la versión en disquetes, sustituya la "D" por la letra correspondiente). A continuación, haga clic en Aceptar.



Si desea realizar una copia en disquetes del software de la impresora incluido en el CD-ROM, escriba EPSETUP en vez de SETUP. En el cuadro de diálogo que aparece, haga clic en el botón Crear discos del driver y siga las instrucciones que aparezcan en pantalla.

4. El programa de instalación empieza a copiar los archivos del software de la impresora.
5. Una vez completada la instalación, haga clic en Aceptar para salir del programa de instalación.

El programa de instalación selecciona de forma automática la LQ-300+ como impresora predeterminada para las aplicaciones Windows.

Si desea más información acerca de cómo iniciar y utilizar el software, consulte el Capítulo 3, "Utilizar el software de la impresora".

Para programas DOS

Para controlar la impresora desde aplicaciones de DOS, deberá seleccionar la impresora utilizada, u otra impresora disponible, desde la lista de impresoras de la aplicación.

Seleccione la impresora EPSON LQ-300+ en el paso correspondiente del procedimiento de configuración o de instalación de la aplicación de DOS. Si la lista de la aplicación no incluye la impresora LQ-300+, seleccione la primera impresora disponible de las de esta lista:

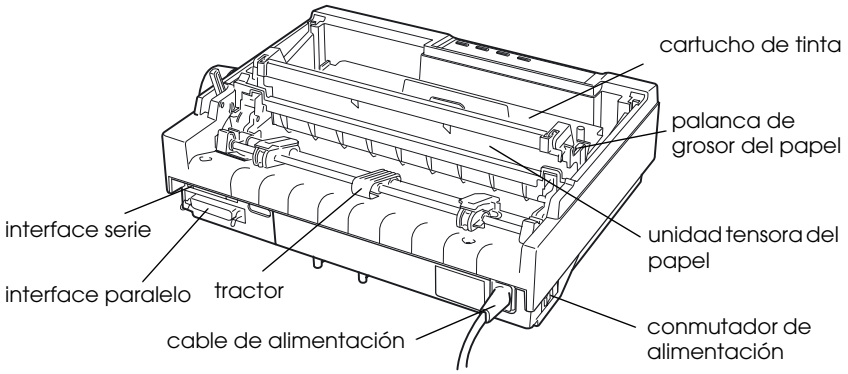
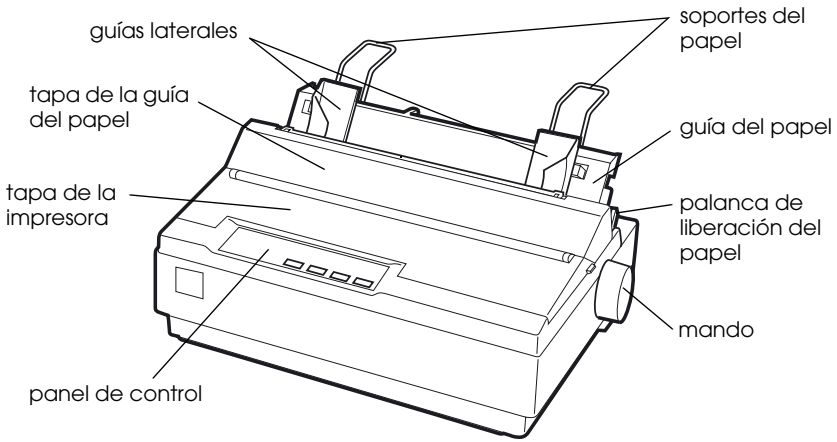
LQ-300	FX-86e/800
LQ-580/LQ-570e	JX-80
LX-810/850	EX-800
LX-800	Impresora EPSON LQ
LX-80/86	Impresora EPSON FX
FX-850	Impresora EPSON

Si desea utilizar color, deberá seleccionar LQ-300. El resto de las impresoras no permiten trabajar en color.

Nota:

Si la aplicación no muestra una alternativa adecuada, consulte con el fabricante del software para que le facilite una actualización.

Partes de la impresora



EPSON®

Impressora Matricial de Impacto de 24 Agulhas

LQ-300+

Todos os direitos reservados. Esta publicação não pode ser integral ou parcialmente reproduzida, arquivada ou transmitida por qualquer processo mecânico, informático, fotocópia, gravação ou outro, sem prévia autorização escrita da SEIKO EPSON CORPORATION que não assume qualquer responsabilidade de patente no que respeita ao uso das informações aqui contidas. A EPSON não se responsabiliza por quaisquer erros ou omissões, nem por avarias resultantes do uso da informação aqui contida.

O comprador deste produto ou terceiros não podem responsabilizar a SEIKO EPSON CORPORATION ou as suas filiais por quaisquer danos, perdas, custos ou despesas incorridos por ele ou por terceiros, resultantes de acidentes, abusos ou má utilização do produto, de modificações não autorizadas, reparações ou alterações do produto, ou que resultem ainda da inobservância das instruções de utilização e de manutenção estabelecidas pela SEIKO EPSON CORPORATION.

A SEIKO EPSON CORPORATION não se responsabiliza por quaisquer avarias ou problemas provocados pela utilização de opções ou produtos não reconhecidos como sendo produtos genuínos EPSON ou produtos aprovados pela EPSON.

EPSON e EPSON ESC/P são marcas registadas e EPSON ESC/P 2 é uma designação comercial da SEIKO EPSON CORPORATION.

Microsoft, Windows e Windows NT são marcas registadas da Microsoft Corporation.

IBM é uma marca registada da International Business Machines Corporation.

Aviso: Todos os outros nomes de produtos referidos ao longo do manual têm uma finalidade meramente informativa, podendo ser marcas registadas das respectivas empresas. A EPSON não detém quaisquer direitos sobre essas marcas.

© 2000, SEIKO EPSON CORPORATION, Nagano, Japão.

Guia do Utilizador

Introdução

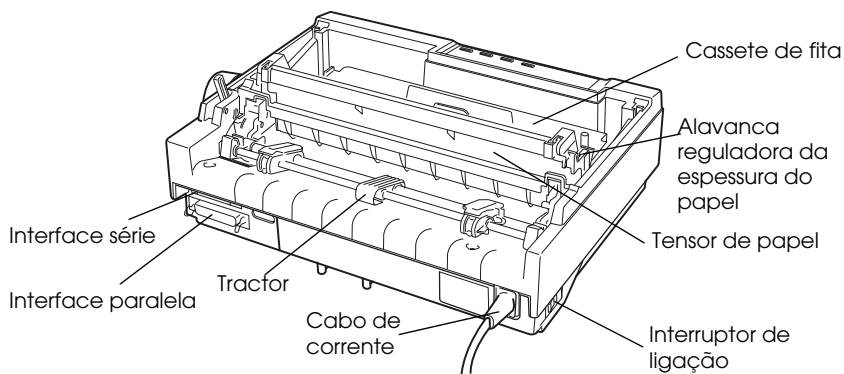
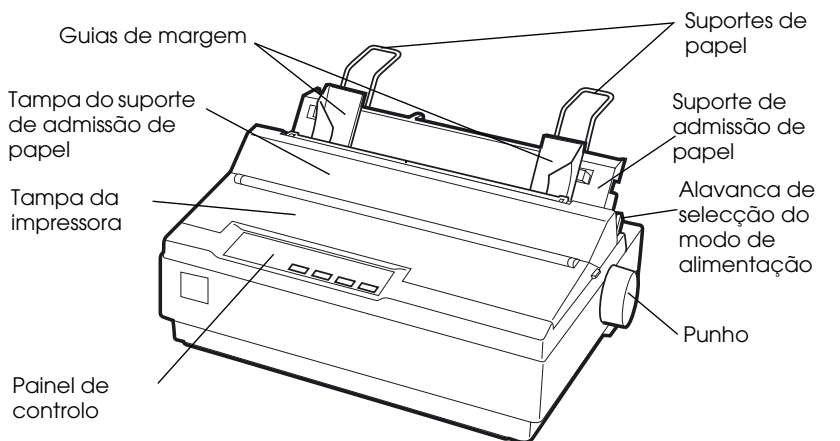
Descrição da Impressora	3
Instruções de Segurança	5
Simbologia Utilizada no Manual	7
Símbolo da Cabeça de Impressão	7
Programa ENERGY STAR®	8
Utilizadores de Língua Inglesa	8
Utilização das opções	8

A impressora matricial EPSON® LQ-300+ de 24 agulhas proporciona uma impressão de grande qualidade e um elevado desempenho num *design* compacto. Possui as seguintes características:

- ❑ Diferentes trajetórias de alimentação para responder às suas necessidades de impressão.
- ❑ Flexibilidade para utilizar uma grande variedade de tipos de papel, incluindo papel contínuo, formulários de várias vias com um original e três cópias, etiquetas, folhas soltas e envelopes.
- ❑ Impressão de alta velocidade até 300 cps (caracteres por segundo) a 10 caracteres por polegada (cpp).

A impressora é fornecida com o controlador de impressão e outro *software*, incluindo o utilitário EPSON Status Monitor 3 para Microsoft® Windows® Me, 98, 95, 2000 ou NT 4.0. O utilitário EPSON Status Monitor 3 permite verificar o estado da impressora de uma forma simples e rápida.

Descrição da Impressora



Indicadores luminosos e teclas do painel de controlo

Indicadores luminosos Tear Off (Font)**

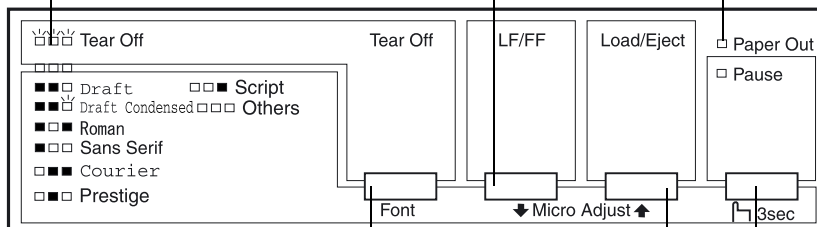
- | Ficam intermitentes quando o papel contínuo está na posição de corte à excepção desta situação indicam a fonte seleccionada.

Tecla LF/FF

- | Alimenta o papel linha a linha quando pressionada uma vez e libertada.
- | Ejecta uma folha ou faz avançar o papel contínuo para a posição de topo de página seguinte quando a mantém pressionada.

Indicador luminoso Paper Out

- | Acende quando o sistema de alimentação seleccionado não tem papel ou quando o papel não está devidamente colocado.
- | Fica intermitente quando o papel não foi totalmente ejectado ou quando ocorrem encravamentos.



Tecla Tear Off (Font)**

- | Faz avançar o papel contínuo até à posição de corte de papel.
- | Faz retroceder o papel contínuo da posição de corte para a posição de topo de página.

Tecla Load/Eject

- | Alimenta uma folha solta.
- | Ejecta uma folha solta que tenha sido alimentada.
- | Alimenta papel contínuo a partir da posição de espera.
- | Faz retroceder o papel contínuo para a posição de espera.

Tecla Pause

- | Interrompe a impressão temporariamente e retoma-a quando voltar a pressioná-la. Se a pressionar durante três segundos, entrará no modo de micro-ajuste*. Volte a pressioná-la para sair do modo de micro-ajuste.

*Modo de micro-ajuste

Quando pressiona a tecla Pause durante três segundos, a impressora entra no modo de micro-ajuste. Com a função de micro-ajuste, pode pressionar as teclas LF/FF↓ e Load/Eject↑ para ajustar as posições de topo de página e de corte de papel. Consulte o Capítulo 2

**Seleção de fontes

Pode seleccionar uma fonte, no modo de micro-ajuste, pressionando a tecla Tear Off. Os indicadores luminosos Tear Off acendem, apagam ou ficam intermitentes, indicando a fonte seleccionada.


Indicador luminoso Pause

- | Acende quando a impressora se encontra no modo de pausa.
- | Fica intermitente quando a impressora está no modo de micro-ajuste*.
- | Fica intermitente quando a cabeça de impressão está sobreaquecida.

Instruções de Segurança

Leia estas instruções de segurança antes de utilizar a impressora. Siga todos os avisos e instruções assinalados na impressora.

- ❑ Coloque a impressora sobre uma base estável e afaste-a de radiadores ou de fontes de calor.
- ❑ Coloque a impressora sobre uma superfície plana. A impressora não funcionará correctamente se estiver inclinada.
- ❑ Não bloqueie as aberturas existentes na caixa exterior da impressora, nem introduza objectos pelas ranhuras.
- ❑ Utilize apenas o tipo de fonte de energia indicado na etiqueta da impressora.
- ❑ Ligue todo o equipamento a tomadas de terra. Evite utilizar tomadas no mesmo circuito de fotocopiadoras ou sistemas de ar condicionado que estão constantemente a ser ligados e desligados.
- ❑ Não utilize um cabo danificado ou que apresente desgaste.
- ❑ Se utilizar uma extensão, certifique-se de que a soma total da amperagem dos aparelhos ligados à extensão não excede a amperagem da extensão. Certifique-se ainda de que a amperagem total dos aparelhos ligados à tomada não excede a amperagem da tomada eléctrica.
- ❑ Desligue a impressora antes de a limpar e utilize apenas um pano húmido.
- ❑ Não verta líquidos sobre a impressora.
- ❑ À excepção das situações explicadas no manual , não tente reparar a impressora.

- ❑ Desligue a impressora e recorra aos serviços de um técnico especializado nas seguintes situações:
 - i. Se o cabo de corrente ou a ficha estiverem danificados.
 - ii. Se algum líquido se tiver infiltrado na impressora.
 - iii. Se a impressora tiver caído ou se a caixa exterior estiver danificada.
 - iv. Se a impressora não funcionar correctamente ou apresentar uma diminuição de rendimento notória.
- ❑ Ajuste apenas os comandos que estiverem mencionados nas instruções.
- ❑  Os elementos da impressora que têm este símbolo podem estar quentes. Desligue a impressora e aguarde alguns minutos antes de tocar em qualquer parte da impressora que tenha este símbolo.
- ❑ Se pretender utilizar a impressora na Alemanha, tenha em atenção o seguinte:

Para proteger esta impressora de curto-circuito e sobrecargas, a instalação eléctrica do edifício deve estar protegida por um disjuntor de 10 a 16 A.

Nota para utilizadores de língua alemã

Bei Anschluss des Druckers an die Stromversorgung muss sichergestellt werden, dass die Gebäudeinstallation mit einer 10 A- oder 16 A-Sicherung abgesichert ist.

Simbologia Utilizada no Manual

Este manual utiliza as seguintes convenções:



Atenção:

Mensagens que devem ser rigorosamente respeitadas a fim de evitar danos para o utilizador.



Importante:

Mensagens que contêm instruções que devem ser seguidas para não provocar danos no equipamento.

Nota:

Mensagens que contêm informações importantes e sugestões úteis sobre o funcionamento da impressora.

Símbolo da Cabeça de Impressão



Este símbolo está situado na cabeça de impressão para indicar que a cabeça de impressão poderá estar quente. Nunca toque na cabeça de impressão se tiver utilizado a impressora há pouco tempo. Aguarde alguns minutos para a deixar arrefecer.

Programa ENERGY STAR®



A sua impressora EPSON respeita as normas de eficácia energética do programa internacional ENERGY STAR®.

Este programa ENERGY STAR® promove junto da indústria informática e da indústria de equipamentos de escritório, o desenvolvimento de computadores, monitores, impressoras, aparelhos de fax, fotocopiadoras e digitalizadores que permitam reduzir a poluição atmosférica provocada pela geração de energia.

Utilizadores de Língua Inglesa

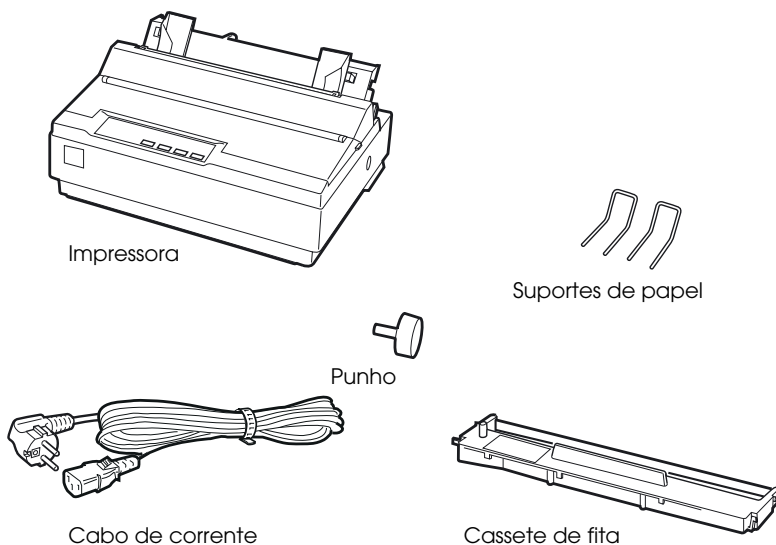
Utilização das opções

A Epson Lda. (Reino Unido) não se responsabiliza por quaisquer avarias ou problemas provocados pela utilização de opções ou produtos não reconhecidos como sendo produtos genuínos EPSON ou produtos aprovados pela EPSON Lda. (Reino Unido).

Instalar a Impressora

Desembalar a Impressora

Para além dos itens apresentados na figura seguinte, a caixa da impressora deve conter o CD-ROM do *software* da impressora EPSON e uma folha de aviso. Certifique-se de que a embalagem inclui todos os componentes.



Nota:

Consoante o modelo de impressora de que dispõe, o cabo de corrente poderá estar permanentemente ligado à impressora. Além disso, a forma da ficha do cabo de corrente varia em função do país onde comprou a impressora; certifique-se de que a ficha que possui é a adequada.

**Importante:**

Existem diferentes versões da impressora concebidas para diferentes voltagens, as quais não podem ser alteradas. Se a etiqueta colocada no painel posterior da impressora não indicar a voltagem adequada ao seu país, contacte o Serviço de Assistência a Clientes EPSON.

Terá de retirar todos os materiais de protecção colocados na impressora antes de a instalar e ligar à corrente. Para retirar esses materiais, siga as instruções indicadas na folha de aviso que acompanha a impressora.

Guarde todos os materiais de protecção, pois pode necessitar de transportar a impressora futuramente. A impressora deve ser sempre transportada na embalagem de origem e com os materiais de protecção fornecidos.

Escolher um local para a impressora

Ao escolher o local para a instalação da impressora, tenha em conta as seguintes recomendações:

- Coloque a impressora numa superfície plana e estável. A impressora não funcionará correctamente se estiver inclinada.
- Coloque a impressora num local onde a possa ligar facilmente a um cabo de interface de rede, se necessário.
- À volta da impressora deve existir espaço suficiente que permita a sua fácil utilização e manutenção.
- Evite utilizar ou guardar a impressora em locais sujeitos a variações bruscas de temperatura e humidade. Mantenha ainda a impressora afastada de luz solar directa, iluminação forte, fontes de calor, pó e humidade excessiva.
- Evite locais sujeitos a choques ou vibrações.

- ❑ Coloque a impressora junto a uma tomada para que possa desligar facilmente o cabo de corrente.

Nota para utilizadores de língua francesa:

Placez l'imprimante près d'une prise de contact où la fiche peut être débranchée facilement.

- ❑ Evite utilizar tomadas que sejam controladas por interruptores de parede ou temporizadores automáticos. Um corte acidental de corrente pode apagar informações importantes guardadas na memória da impressora ou do computador. Evite igualmente utilizar tomadas no mesmo circuito de motores de alta potência ou outros aparelhos que possam causar flutuações na voltagem.
- ❑ Mantenha todo o sistema informático afastado de potenciais fontes de interferência electromagnética, tais como colunas de som ou bases de telefones sem fio.
- ❑ Utilize uma tomada de terra; não utilize um adaptador.

Se pretender utilizar uma base para a impressora, tenha em atenção as seguintes indicações:

- ❑ Utilize uma base capaz de suportar, pelo menos, 20 kg.
- ❑ Nunca utilize uma base na qual a impressora fique inclinada. A impressora deve estar sempre num plano horizontal.
- ❑ Coloque o cabo de corrente e o cabo de interface da impressora de forma a que não interfiram no processo de alimentação do papel. Se possível, fixe os cabos a uma das pernas da base da impressora.

Instalar a Impressora

Esta secção fornece informações sobre como instalar e utilizar a impressora.

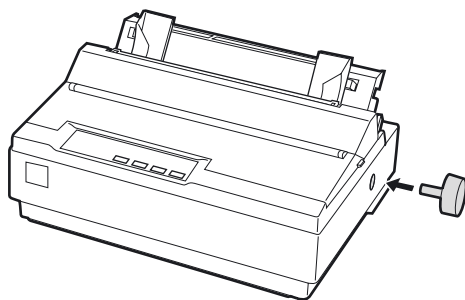
Consulte a secção relativa à descrição da impressora apresentada na Introdução para saber o nome dos componentes da impressora.

Instalar o punho

O punho deve ser o primeiro elemento a ser instalado na impressora.

Para instalar o punho, execute as seguintes operações:

1. Introduza o punho na abertura lateral da impressora e rode-o lentamente, fazendo-o entrar no eixo.



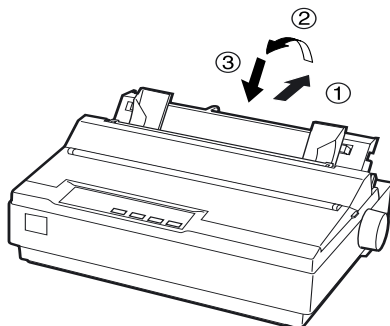
2. Pressione o punho com firmeza até o encaixar na impressora.

Instalar os suportes de papel

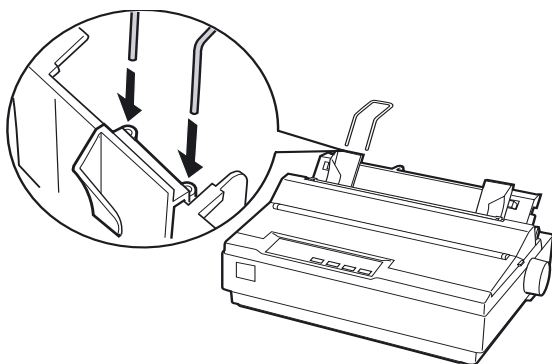
Terá de instalar os suportes de papel antes de começar a utilizar a impressora.

Para instalar os suportes de papel na impressora, execute as seguintes operações:

1. Empurre o suporte de admissão de papel para trás. Levante-o e pressione-o firmemente até que fique devidamente encaixado.



2. Pegue num dos suportes de papel e introduza-o nas ranhuras existentes no guia de margem.



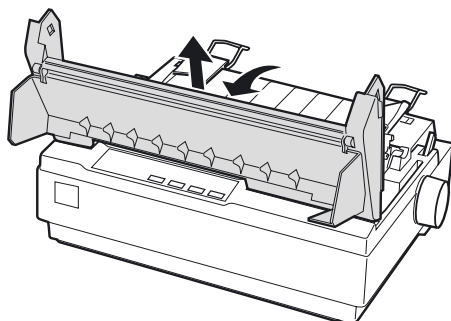
3. Volte a executar a operação do ponto 2 para instalar o outro suporte de papel.

Instalar ou substituir a cassete de fita

Antes de instalar a cassete de fita, certifique-se de que a impressora não está ligada à corrente.

Para instalar ou substituir a cassete de fita, execute as seguintes operações:

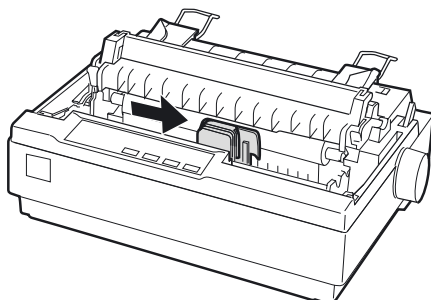
1. Levante a tampa da impressora e retire-a.



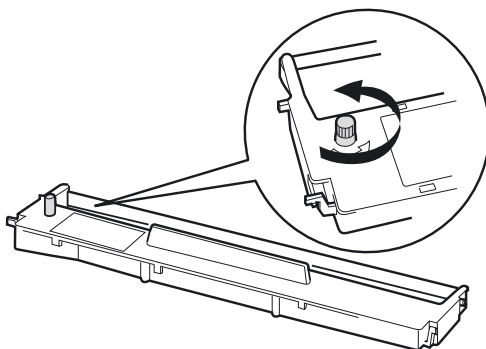
Atenção:

Nunca desloque a cabeça de impressão enquanto a impressora estiver ligada, pois pode danificar a impressora. Além disso, se utilizou a impressora recentemente, a cabeça de impressão pode ainda estar quente. Aguarde alguns minutos antes de lhe tocar.

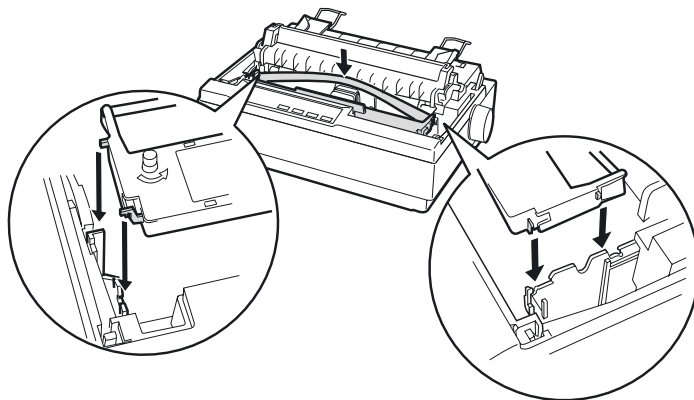
2. Desloque a cabeça de impressão até ao centro da impressora.



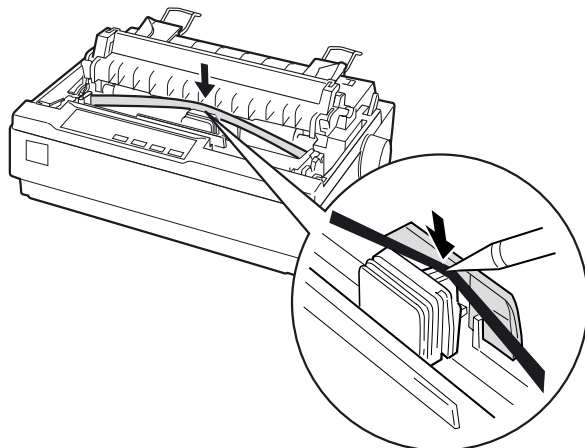
3. Rode o botão de esticar a fita na direcção indicada pela seta. Esta operação permite eliminar a folga existente na fita e facilita a sua instalação.



4. Introduza a cassette de fita na impressora, conforme indica a figura. Em seguida, pressione firmemente as extremidades da cassette para que os ganchos plásticos encaixem nos conectores da impressora.



5. Utilize um objecto pontiagudo, por exemplo, o bico de uma esferográfica, para colocar a fita entre a cabeça de impressão e o guia de fita. Rode o botão de esticar a fita, de forma a assegurar o correcto funcionamento desta. Certifique-se de que a fita não está torcida ou enrugada.



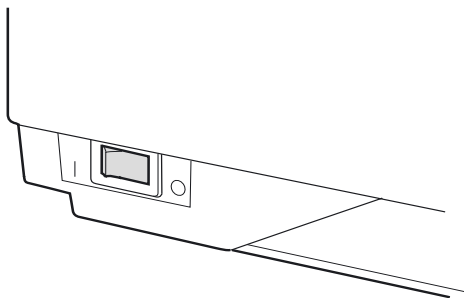
6. Faça deslizar a cabeça de impressão de um lado para o outro para verificar se esta se desloca sem problemas.
7. Volte a instalar e feche a tampa da impressora.

Quando a impressão se tornar ténue, terá de substituir a cassette de fita. Para o fazer, desloque a cabeça de impressão até ao centro da impressora. Em seguida, pegue na cassette por ambas as extremidades e retire-a da impressora.

Ligar a impressora à corrente

Para ligar a impressora à corrente, execute as seguintes operações:

1. Certifique-se de que a impressora está desligada. A impressora está desligada se o interruptor estiver na posição ○.



2. Verifique se a voltagem indicada na etiqueta colocada no painel posterior da impressora corresponde à voltagem da sua tomada de corrente.



Importante:

Se as voltagens não coincidirem, consulte o Serviço de Assistência a Clientes EPSON. Não ligue o cabo de corrente.

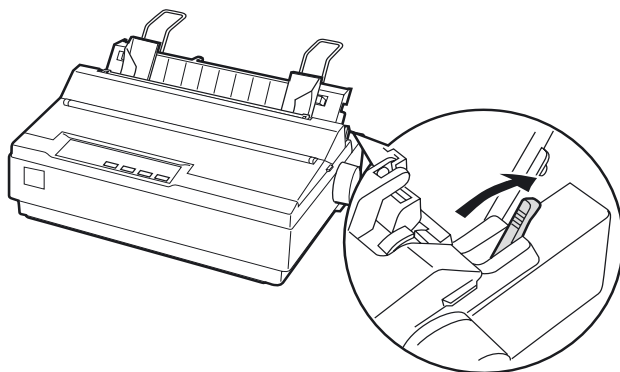
3. Se o cabo de corrente ainda não estiver ligado à impressora, ligue-o à tomada existente na impressora.
4. Ligue a outra extremidade do cabo a uma tomada de terra.

Executar o Auto-Teste

O auto-teste permite verificar se a impressora funciona correctamente. Pode executar o auto-teste em papel contínuo ou em folhas soltas. O procedimento apresentado em seguida explica como efectuar o teste com folhas soltas, que constitui a forma mais fácil de o fazer.

Para efectuar o auto-teste, execute as seguintes operações:

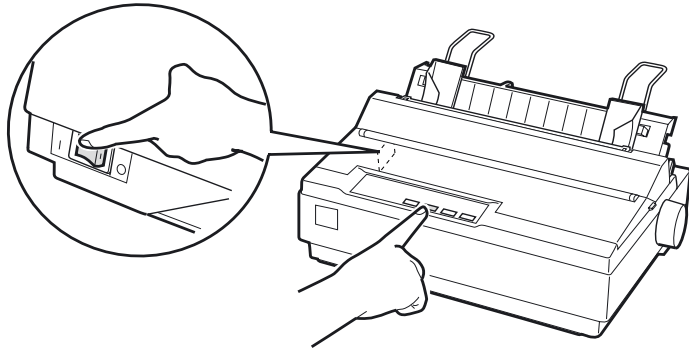
1. Certifique-se de que a impressora está desligada. Certifique-se de que a alavanca de selecção do modo de alimentação se encontra na posição de folhas soltas e de que o suporte de admissão de papel está levantado, conforme indica a figura.



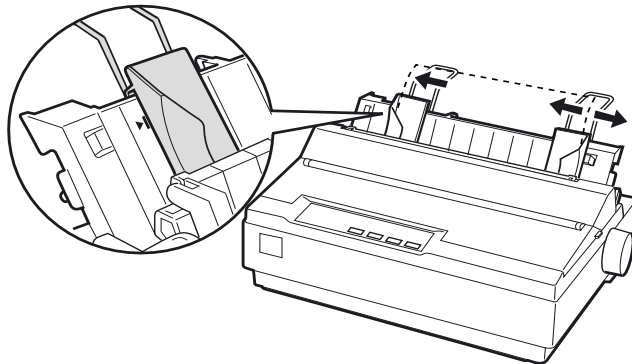
Importante:

Para executar o auto-teste, utilize papel com uma largura mínima de 210 mm; caso contrário, a cabeça de impressão imprime directamente sobre o rolo.

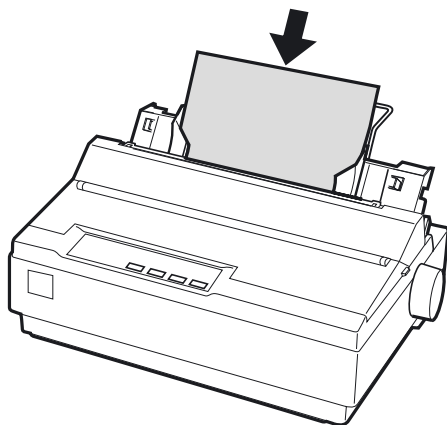
2. Pressione a tecla LF/FF ao mesmo tempo que liga a impressora.



3. Desloque o guia de margem esquerdo até o prender na posição assinalada pelo indicador de margem. Em seguida, ajuste o guia de margem direito em função da largura do papel.



4. Insira uma folha de papel entre os guias de margem até encontrar resistência. A impressora alimenta a folha automaticamente e começa a imprimir o auto-teste.



5. Para interromper a impressão, pressione a tecla PAUSE.
6. Para terminar o auto-teste, certifique-se de que a impressora já não está a imprimir. Pressione a tecla LF/FF para ejectar a folha e, em seguida, desligue a impressora.

Exemplo de parte de um auto-teste:

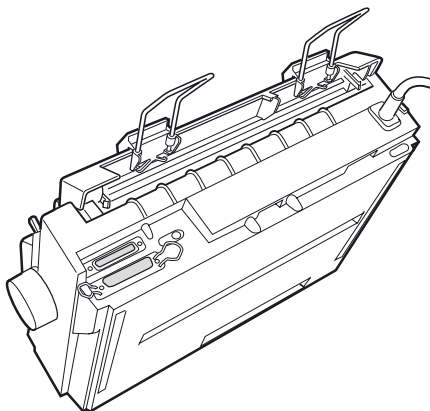
```
!"#$%&'()*+,-./0123456789:;<=>?@ABCDEFGHI  
!"#$%&'()*+,-./0123456789:;<=>?@ABCDEFGHI  
!"#$%&'()*+,-./0123456789:;<=>?@ABCDEFGHIJ  
#$%&'()*+,-./0123456789:;<=>?@ABCDEFGHIJK  
$%&'()*+,-./0123456789:;<=>?@ABCDEFGHIJKL  
%&'()*+,-./0123456789:;<=>?@ABCDEFGHIJKLM  
&'()*+,-./0123456789:;<=>?@ABCDEFGHIJKLMN
```

Nota:

*Se a impressão do auto-teste não for satisfatória, consulte o Capítulo 4.
Se o auto-teste foi correctamente impresso, avance para a secção seguinte.*

Ligar a Impressora ao Computador

Esta impressora integra uma interface paralela compatível IEEE-1284 e uma interface série EIA-232D. Antes de iniciar, coloque a impressora na posição vertical, conforme indica a figura (este procedimento facilita a ligação do cabo).



Ligue o computador à interface desejada.

Nota:

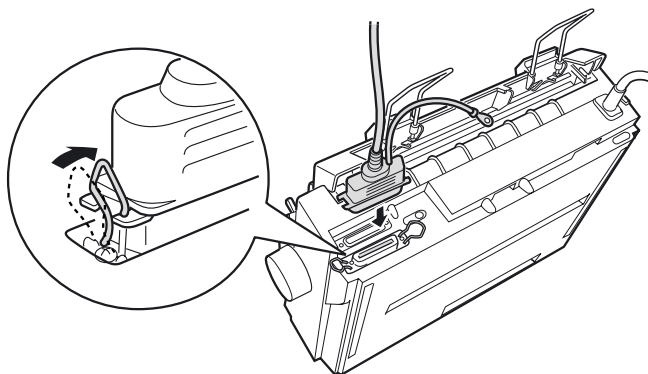
Poderá ligar um cabo a cada uma das interfaces. Quando recebe dados, a impressora muda automaticamente para a interface adequada.

Utilizar a interface paralela

Para utilizar a interface paralela, necessitará de um cabo blindado de par entrelaçado, cujo comprimento não deve exceder os 2 metros.

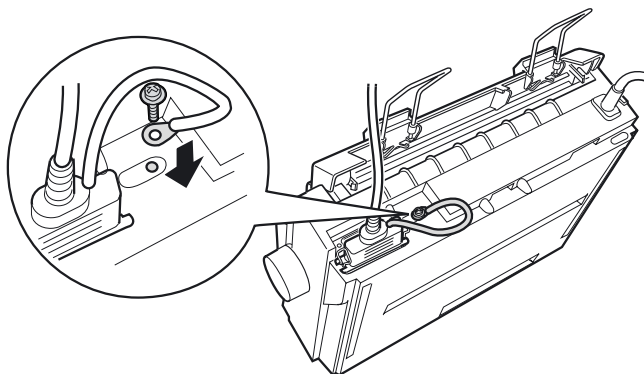
Para ligar a impressora ao computador através da interface paralela, execute as seguintes operações:

1. Desligue o computador e a impressora.
2. Introduza o conector do cabo paralelo na interface paralela da impressora. Aperte as presilhas laterais do conector de interface da impressora.



Nota:

Se o cabo possuir um fio de terra, ligue-o ao conector de terra situado à direita da interface paralela.



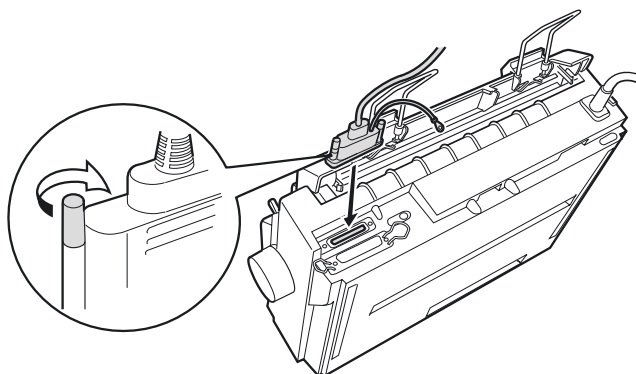
3. Introduza a outra extremidade do cabo na interface paralela do computador. Se o cabo possuir um fio de terra, ligue-o ao contacto de terra situado no painel posterior do computador.

Utilizar a interface série

Para utilizar a interface série, necessitará de um cabo série com uma ficha macho DB-25 para ligação à impressora.

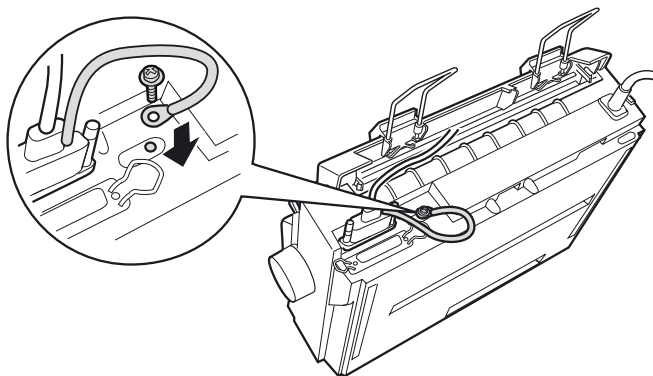
Para ligar a impressora ao computador através da interface série, execute as seguintes operações:

1. Desligue o computador e a impressora.
2. Introduza o conector do cabo série na interface série da impressora. Aperte os parafusos existentes no conector do cabo.



Nota:

Se o cabo possuir um fio de terra, ligue-o ao conector de terra situado à direita da interface série.



3. Introduza a outra extremidade do cabo na interface série do computador e, em seguida, aperte os parafusos existentes no conector. Se o cabo possuir um fio de terra, ligue-o ao contacto de terra situado no painel posterior do computador.
4. Se necessário, utilize o modo de predefinição da impressora para alterar a velocidade de transmissão ou o bit de paridade. Consulte a secção relativa às predefinições da impressora, no Capítulo 2.

Instalar o Software da Impressora

Após ligar a impressora ao computador, terá de instalar o *software* da impressora EPSON, incluído no CD-ROM fornecido com a impressora.

O *software* da impressora inclui:

- ❑ O controlador de impressão:
O controlador de impressão é um *software* que permite gerir ou “controlar” a impressora. Com este *software*, pode efectuar definições de impressão, como, por exemplo, qualidade de impressão, resolução e formato de papel.
- ❑ O utilitário EPSON Status Monitor 3 (Windows Me, 98, 95, 2000 ou NT 4.0)
O EPSON Status Monitor 3 avisa-o quando ocorre algum erro de impressão e apresenta informações sobre o estado da impressora.
- ❑ O utilitário EPSON Remote! (utilitário de configuração da impressora com base no DOS)
Este utilitário permite alterar facilmente as predefinições da impressora a partir do ecrã do computador. Consulte a secção relativa ao utilitário EPSON Remote!, no Capítulo 3.

Para instalar o *software* da impressora, consulte a secção relativa à instalação do *software* em Windows Me, 98, 95, 2000 ou NT 4.0 ou a secção relativa à instalação do *software* em Windows 3.1 ou NT 3.5x, mais adiante neste capítulo. Se estiver a utilizar o DOS, consulte a secção relativa aos programas do DOS, também neste capítulo.

Instalar o software em Windows Me, 98, 95, 2000 ou NT 4.0

Para instalar o *software* da impressora em Windows Me, 98, 95, 2000 ou NT 4.0 execute as seguintes operações:

Nota:

- ❑ *É possível que necessite de privilégios de administrador para instalar o software da impressora em Windows 2000 ou NT 4.0. Se tiver problemas, contacte o administrador para obter mais informações.*
- ❑ *Se pretender criar uma versão em disquete do software da impressora incluído no CD-ROM, insira o CD-ROM e execute o programa EPSETUP. Na caixa de diálogo que aparece, faça clique na tecla Utilitário de criação de disquetes do controlador (Driver disk creation utility) e siga as instruções apresentadas no ecrã.*
- ❑ *Se estiver a utilizar a versão em disquete do software EPSON, faça uma cópia de segurança das disquetes de software da impressora EPSON antes de iniciar a instalação.*
- ❑ *Se, ao ligar o computador, aparecer a janela "Novo Hardware Encontrado" (New Hardware Found) ou qualquer outro assistente, faça clique em Cancelar (Cancel) e execute as operações apresentadas em seguida.*
- ❑ *Se aparecer o ecrã "Assinatura Digital Não Encontrada" (Digital Signature Not Found), faça clique em Sim (Yes). Se fizer clique em Não (No), terá de voltar a instalar o controlador de impressão da forma apresentada em seguida.*
- ❑ *O tempo de instalação varia consoante o computador.*

1. Certifique-se de que o Windows Me, 98, 95, 2000 ou NT 4.0 está a funcionar e que a impressora está desligada.
2. Insira o CD-ROM que contém o *software* da impressora no leitor de CD-ROM. Aparecerá a caixa de diálogo “Instalar” (Install). Se estiver a utilizar uma disquete, insira-a no leitor de disquetes. Faça clique duas vezes no ícone do leitor de disquetes e, em seguida, faça clique duas vezes no ícone Setup.exe.
3. Faça clique em Instalar (Install) para iniciar a instalação do *software* da impressora.
4. Seleccione a impressora na lista e, em seguida, siga as instruções apresentadas no ecrã.

Quando instalar o controlador de impressão em Windows Me, 98, 95, 2000 ou NT 4.0, o utilitário EPSON Status Monitor 3 também será instalado.

Para obter informações sobre como iniciar e utilizar o *software*, consulte a secção relativa à utilização do *software* da impressora, no Capítulo 3.

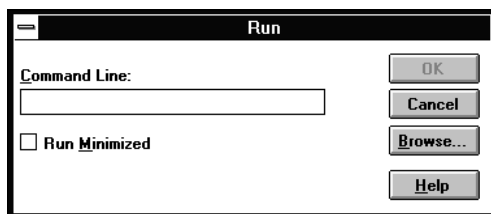
Instalar o software em Windows 3.1 ou NT 3.5x

Para instalar o *software* da impressora em sistemas com o Windows 3.1 ou NT 3.5x, execute as operações apresentadas em seguida.

Nota:

É possível que necessite de privilégios de administrador para instalar o software da impressora em Windows NT 3.5x. Se tiver problemas, contacte o administrador para obter mais informações.

1. Inicie o Windows e abra a janela do Gestor de Programas (Program Manager).
2. Insira o CD-ROM que contém o *software* da impressora no leitor de CD-ROM. Se estiver a utilizar disquetes, insira a Disquete 1 do *software* da impressora no leitor de disquetes.
3. Seleccione Executar (Run) no menu Ficheiro (File). Aparecerá a caixa de diálogo Executar (Run). Na caixa Linha de Comandos (Command Line), escreva D:SETUP. Se a letra do leitor de CD-ROM não corresponder à letra "D" ou se estiver a utilizar a versão em disquete, utilize a letra adequada. Em seguida, faça clique em OK.



Se pretender criar uma versão em disquete do *software* incluído no CD-ROM, escreva EPSETUP em vez de SETUP. Na caixa de diálogo que aparece, faça clique na tecla Utilitário de criação de disquetes do controlador (Driver disk creation utility) e siga as instruções apresentadas no ecrã.

4. O programa de instalação começa a copiar os ficheiros do *software* da impressora para o computador.
5. Quando terminar a instalação, faça clique em OK para sair do programa de instalação.

O programa de instalação selecciona automaticamente LQ-300+ como impressora padrão para as aplicações do Windows.

Para obter informações sobre como iniciar e utilizar o *software*, consulte a secção relativa à utilização do *software* da impressora, no Capítulo 3.

Programas do DOS

Para controlar a impressora a partir de aplicações do DOS, terá de seleccionar a impressora que está a utilizar ou outra impressora que esteja disponível na lista de impressoras da aplicação.

Selecione a impressora EPSON LQ-300+ na altura devida do processo de instalação ou configuração da aplicação do DOS. Se a impressora LQ-300+ não constar da lista de impressoras da aplicação, selecione a primeira impressora disponível a partir da seguinte lista:

LQ-300	FX-86e/800
LQ-580/LQ-570e	JX-80
LX-810/850	EX-800
LX-800	Impressora LQ EPSON
LX-80/86	Impressora FX EPSON
FX-850	Impressora EPSON

Se pretender utilizar cores, tem de escolher a LQ-300. Não é possível imprimir a cores noutras impressoras.

Nota:

Se a sua aplicação não possuir uma alternativa adequada, contacte o fabricante do software para saber se é possível obter uma actualização.

EPSON®

24-naalds dot-matrixprinter

LQ-300+

Alle rechten voorbehouden. Niets uit dit document mag worden verveelvoudigd, opgeslagen in een geautomatiseerd gegevensbestand of openbaar worden gemaakt, in enige vorm of op enige wijze, hetzij mechanisch, door fotokopieën, opnamen of op enige andere manier, zonder voorafgaande schriftelijke toestemming van SEIKO EPSON CORPORATION. De hierin opgenomen informatie is uitsluitend bedoeld voor deze EPSON-printer. EPSON draagt geen verantwoordelijkheid voor het toepassen van de verschaft informatie op andere printers.

SEIKO EPSON CORPORATION noch zijn filialen kunnen door de koper van dit product of door derden verantwoordelijk worden gesteld voor schade, verliezen of onkosten ontstaan als gevolg van foutief gebruik of misbruik van dit product, of onbevoegde wijzigingen en reparaties. Deze handleiding werd met grote zorg samengesteld.

Epson is niet verantwoordelijk voor eventuele onachtzaamheden zoals drukfouten. SEIKO EPSON CORPORATION kan niet verantwoordelijk worden gesteld voor schade of problemen voortvloeiend uit het gebruik van andere dan originele onderdelen of verbruiksgoederen kenbaar als Original EPSON Products of EPSON Approved Products by SEIKO EPSON CORPORATION.

EPSON en EPSON ESC/P zijn gedeponeerde handelsmerken en EPSON ESC/P2 is een handelsmerk van SEIKO EPSON CORPORATION.

Microsoft, Windows en Windows NT zijn gedeponeerde handelsmerken van Microsoft Corporation.

IBM is een gedeponeerd handelsmerk van International Business Machines Corporation.

Adobe en Acrobat zijn gedeponeerde handelsmerken en Acrobat Reader is een handelsmerk van Adobe Systems Incorporated.

Algemene kennisgeving: *Andere productnamen vermeld in dit document dienen uitsluitend als identificatie en kunnen handelsmerken zijn van hun respectieve eigenaars. EPSON maakt geen enkele aanspraak op deze merken.*

Copyright © 2000 van EPSON Deutschland GmbH, Düsseldorf.

Informatiebronnen

■ Gids voor snelle starters (dit document)

Deze gids toont u hoe u de printer bedrijfsklaar maakt, de printersoftware installeert en toegang verkrijgt tot de on line-documentatie. Daarnaast vindt u in deze gids stapsgewijze instructies voor het uitvoeren van afdruktaken. Bewaar deze gids in de buurt van de printer.

■ On line-documentatie

De bijgeleverde cd-rom bevat een handleiding in PDF-formaat met bijkomende informatie en wenken.

■ On line-help

Bevat gedetailleerde informatie over de software die de printer aanstuurt en toont u hoe u die software gebruikt. De on line-help wordt automatisch geïnstalleerd wanneer u de printersoftware installeert.

■ Inhoudsopgave

Inhoudsopgave	3
Waarschuwingen, voorzorgsmaatregelen en opmerkingen	4
Waarschuwingssymbool op de printkop	4
Strenge energienormen	4
De printer uitpakken	5
Een plaats voor de printer kiezen	6
De printer monteren	7
De papiertoevoerknop installeren.....	7
De papiersteunen bevestigen	7
De lintcartridge installeren of vervangen.....	8
De printer aansluiten op het lichtnet.....	11
De zelftest uitvoeren	12
De printer op de computer aansluiten	14
De parallele interface gebruiken	14
De seriële interface gebruiken	16
De printersoftware installeren	17
De software installeren onder Windows Me, 98, 95, 2000 of NT 4.0 ...	17
De printersoftware installeren onder Windows 3.1 of NT 3.5x.....	18
Voor DOS-gebruikers.....	19
Afdrukken	20
De printerdriver openen	20
Afdrukken op losse vellen	21
De on line-handleiding gebruiken	21
Adobe Acrobat Reader installeren	22
De on line-handleiding openen.....	22
Klantendienst	24
Printeronderdelen	24

■ Waarschuwingen, voorzorgsmaatregelen en opmerkingen

Voor deze gids gelden de volgende conventies:



Waarschuwingen

moet u in acht nemen om lichamelijk letsel te voorkomen.



Voorzorgsmaatregelen

worden aangegeven met "Let op"; u moet ze naleven om schade aan het apparaat te voorkomen.

Opmerkingen

bevatten belangrijke informatie over en tips voor het gebruik van de printer.

■ Waarschuwingssymbool op de printkop



Dit symbool bevindt zich op de printkop om aan te geven dat deze heet kan zijn. Raak de printkop nooit aan wanneer de printer pas een afdruktaak heeft beëindigd. Laat de printkop eerst een aantal minuten afkoelen.

■ Strengere energienormen

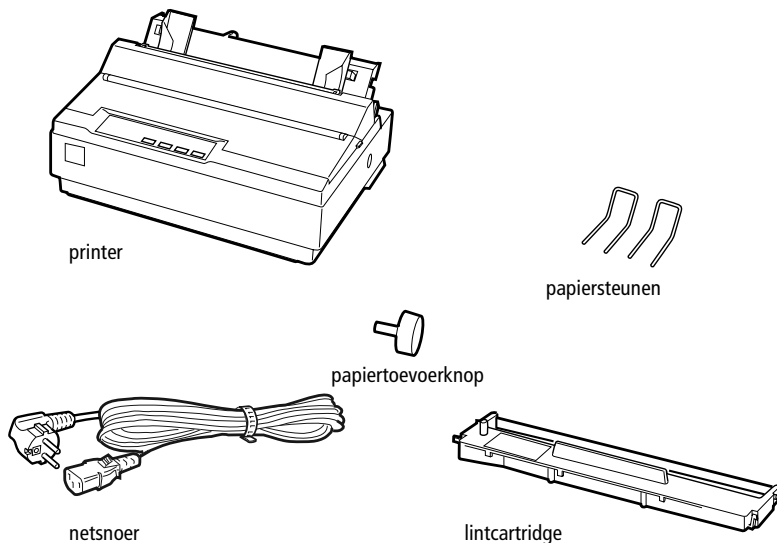


Als ENERGY STAR®-partner heeft EPSON bepaald dat dit product voldoet aan de richtlijnen van het ENERGY STAR®-programma inzake zuinig energieverbruik.

Het internationale ENERGY STAR® Office Equipment Program is een vrijwillige overeenkomst tussen fabrikanten van computer- en kantoorapparatuur ter bevordering van de ontwikkeling van energiebesparende computers, beeldschermen, printers, fax- en kopieermachines en scanners met als doel de luchtvervuiling door stroomopwekking in te perken.

■ De printer uitpakken

Naast de items die hieronder zijn afgebeeld, moet de doos een cd-rom met EPSON-printersoftware en een instructieblad bevatten. Controleer of de verpakking volledig is.



Opmerking:

Bij sommige printermodellen zit het netsnoer bij levering reeds vast aan de printer. De vorm van de netsnoerstekker verschilt al naargelang het land van aankoop. Controleer of de stekker geschikt is voor uw stroomvoorziening.



Let op:

Voor elk type netspanning zijn er andere printermodellen beschikbaar. Het is niet mogelijk een printermodel te wijzigen in functie van een bepaalde netspanning. De netspanning staat aangegeven op het etiket aan de achterzijde van de printer. Als de aangegeven netspanning niet overeenkomt met de plaatselijke netspanning, neemt u contact op met uw leverancier.

Verwijder alle beschermmateriaal rond en in de printer alvorens de printer te installeren en aan te zetten. Volg voor het verwijderen van dit materiaal de aanwijzingen op het bijgeleverde instructieblad.

Bewaar al het verpakkings- en beschermmateriaal voor het geval u de printer ooit moet vervoeren. Vervoer de printer steeds in de oorspronkelijke verpakking.

■ Een plaats voor de printer kiezen

Neem de onderstaande richtlijnen in acht bij het kiezen van een standplaats voor de printer.

- Plaats de printer op een vlakke en stabiele ondergrond. De printer functioneert niet goed wanneer hij scheef staat.
- Stel de printer zo op dat u hem indien nodig makkelijk op een netwerkinterfacekabel kunt aansluiten.
- Zorg met het oog op bedieningsgemak en onderhoud voor voldoende ruimte rond de printer.
- Vermijd plaatsen met sterke temperatuur- en vochtigheidsschommelingen. Houd de printer uit de buurt van direct zonlicht, krachtige licht- en warmtebronnen of uitzonderlijk vochtige of stoffige omgevingen.
- Vermijd plaatsen die onderhevig zijn aan schokken en trillingen.
- Plaats de printer in de buurt van een goed toegankelijke wandcontactdoos.
- Vermijd het gebruik van stopcontacten die met een muurschakelaar of een automatische tijdklok worden aan- en uitgeschakeld. Een stroomonderbreking kan ertoe leiden dat de informatie in het geheugen van de printer of de computer wordt gewist. Gebruik geen stopcontact dat op dezelfde stroomkring is aangesloten als een krachtige elektromotor of een ander apparaat dat schommelingen in de voedingsspanning kan veroorzaken.
- Plaats uw computer en printer ver van potentiële bronnen van elektromagnetische storingen, zoals luidsprekers of zendstations van draagbare telefoons.
- Gebruik een geaard stopcontact. Gebruik geen adapters.

Als u een printermeubel gebruikt, dient u de volgende richtlijnen te respecteren:

- Gebruik een meubel met een draagkracht van minstens 20 kg .
- Gebruik nooit een printermeubel waarop de printer schuin wordt aangebracht. De printer moet altijd waterpas staan.
- Zorg ervoor dat het netsnoer en de interfacekabel de papierinvoer niet belemmeren. Bevestig indien mogelijk de kabels aan een van de poten van het printermeubel.

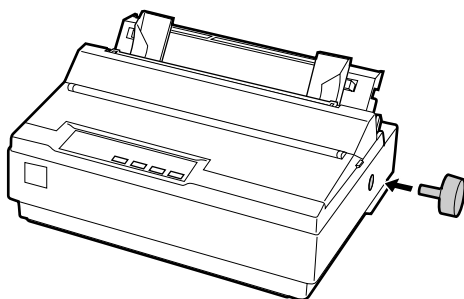
■ De printer monteren

Dit gedeelte bevat informatie over de montage en ingebruikname van de printer. Raadpleeg "Printeronderdelen" op de laatste pagina van deze handleiding voor de namen van de afzonderlijke delen van de printer.

■ De papiertoevoerknop installeren

De eerste stap bestaat uit het aanbrengen van de papiertoevoerknop. Installeer de invoereenheid als volgt:

1. Plaats de knop in de opening aan de zijkant van de printer. Draai de knop langzaam rond tot hij over de as schuift.

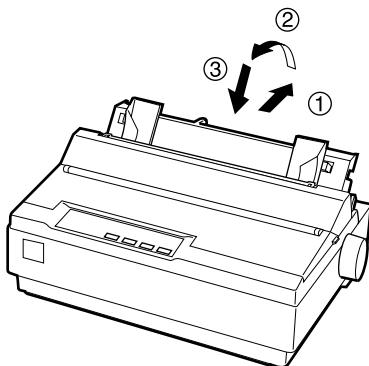


2. Druk stevig op de papiertoevoerknop tot hij tegen de printerbehuizing zit.

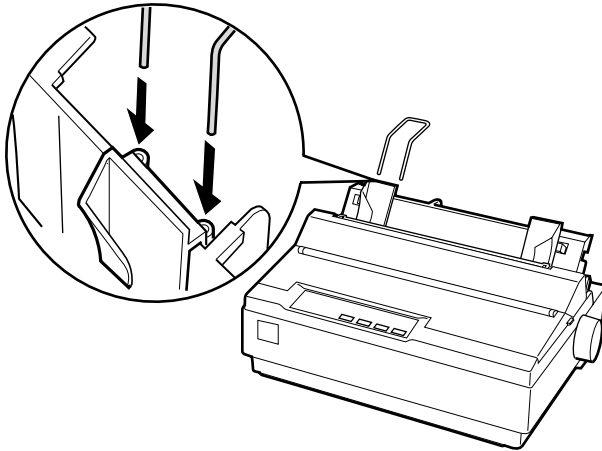
■ De papiersteunen bevestigen

U dient de papiersteunen te bevestigen voordat u de printer in gebruik neemt. Volg deze stappen om de papiersteunen op de printer te bevestigen:

1. Trek de papiersteun naar achteren. Duw de steun omhoog en duw stevig tot ze op haar plaats zit.



2. Neem een van de papiersteunen vast en duw de uitsteeksels in de inkepingen op de zijgeleider.



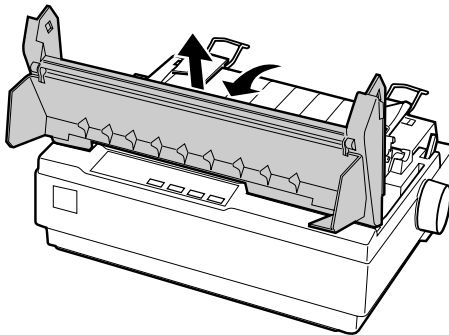
3. Herhaal stap 2 voor de andere papiersteun.

■ De lintcartridge installeren of vervangen

Voordat u de lintcartridge installeert, moet de stekker uit het stopcontact zijn verwijderd.

Volg deze stappen om de lintcartridge te installeren of te vervangen:

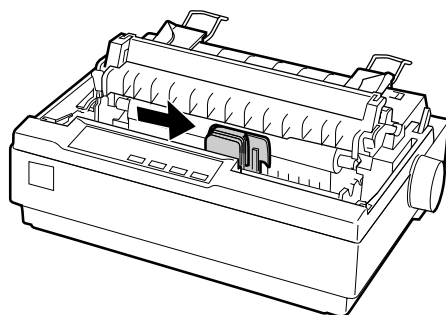
1. Klap de printerkap helemaal open en trek ze naar boven.



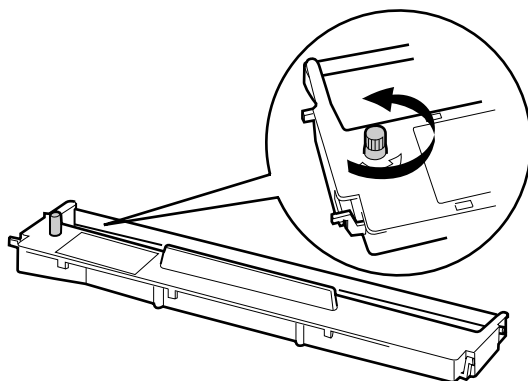
Waarschuwing:

Als u de printkop verplaatst terwijl de printer aanstaat, kan de printkop schade oplopen. Als de printer kort geleden is gebruikt, kan de printkop heet zijn. Laat de printkop enkele minuten afkoelen alvorens deze aan te raken.

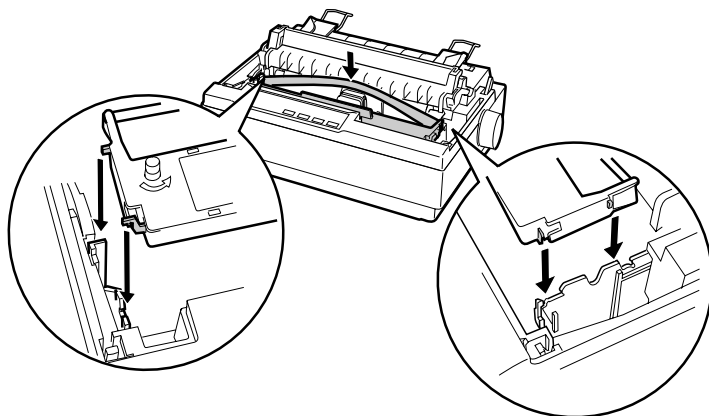
2. Schuif de printkop naar het midden van de printer.



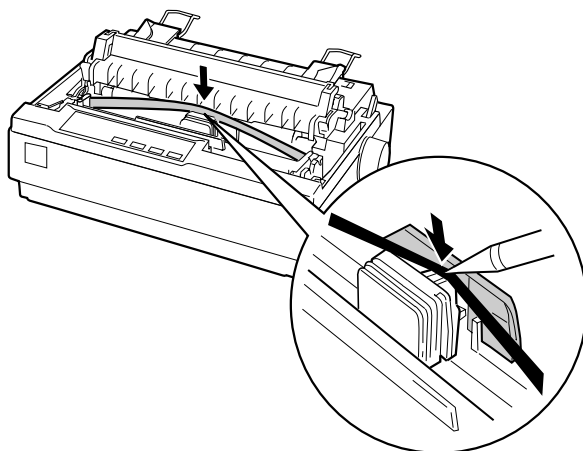
3. Draai vervolgens de lintspanknop in de richting van de pijl om het lint te spannen en de installatie ervan te vereenvoudigen.



4. Plaats de lintcartridge in de printer zoals weergegeven. Druk vervolgens stevig op beide zijden van de cartridge om de plastic haken in de sleuven van de printer te bevestigen.



5. Plaats het lint met een puntig voorwerp (bijvoorbeeld met de punt van een balpen) tussen de printkop en de lintgeleider. Draai aan de lintspanknop om het lint eenvoudiger op zijn plaats te krijgen. Let op dat het lint niet dubbelvouwt of gekneld raakt.




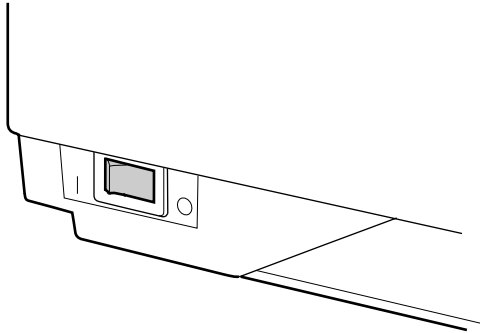
6. Schuif de printkop heen en weer om te controleren of deze zich soepel verplaatst.
7. Herinstalleer en sluit de printerkap.

Wanneer de afdrukkwaliteit afneemt, dient u de lintcartridge te vervangen. Om de oude lintcartridge te vervangen moet u eerst de printkop naar het midden van de printer verplaatsen. Verwijder dan de cartridge door deze aan beide zijden op te heffen en uit de printer te trekken.

■ De printer aansluiten op het lichtnet

Volg deze stappen om de printer aan te sluiten op het lichtnet:

1. Zorg ervoor dat de stroomschakelaar van de printer uitstaat. De schakelaar staat uit als de -kant van de knop is ingedrukt.



2. Controleer of de netspanning op het etiket aan de achterzijde van de printer overeenkomt met uw netspanning.



Let op:

Roep de hulp in van uw leverancier als blijkt dat het vereiste voltage en de lokale netspanning niet overeenstemmen. Sluit het netsnoer in voorkomend geval niet aan op het stopcontact.

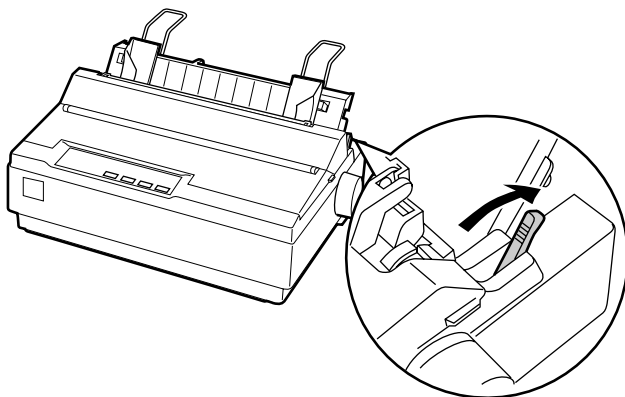
3. Als het netsnoer niet rechtstreeks aan de printer is bevestigd, sluit u dit aan op de netsnoeraansluiting van de printer.
4. Sluit het netsnoer aan op een goed geaard stopcontact.

■ De zelftest uitvoeren

Gebruik de ingebouwde zelftestfunctie om te controleren of de printer juist functioneert. U kunt de test met kettingpapier of met losse bladen uitvoeren. Onderstaande procedure beschrijft de test met losse bladen, hetgeen de gemakkelijkste manier is.

Volg deze stappen om de zelftest uit te voeren:

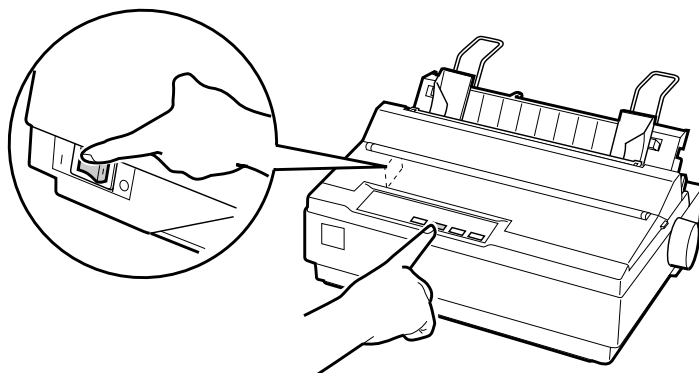
1. Zet de printer uit. Zorg er ook voor dat de papierhendel in de stand voor losse vellen staat en dat de papiergeleider zich in verticale positie bevindt (zie illustratie).



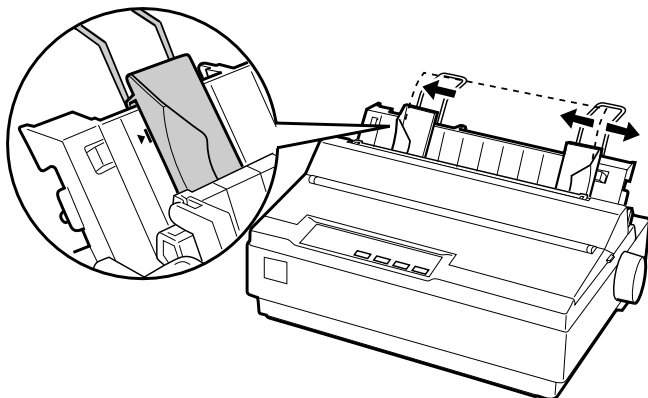
Let op:

Voor de zelftest dient u papier met een breedte van ten minste 210 mm te gebruiken, anders drukt de printkop rechtstreeks op de afdrukrol af.

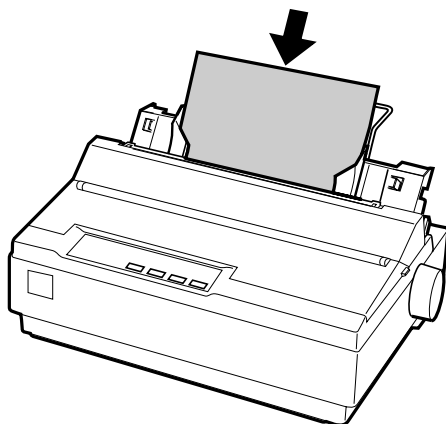
2. Houd de **LF/FF**-knop ingedrukt en zet de printer aan.



3. Verschuif de linkerzijgeleider tot deze op het merkteken vastklikt. Stel vervolgens de rechterzijgeleider in op de breedte van het papier.



4. Plaats een vel papier met de afdrukzijde omlaag stevig tussen de zijgeleiders en duw dit naar binnen tot u een weerstand voelt. De printer laadt het papier automatisch en begint de zelftest af te drukken.



5. Om de afdraktaak tijdelijk te onderbreken drukt u op de **PAUSE**-knop.
6. Wacht tot de printer is opgehouden met afdrucken vooraleer u de zelftest beëindigt. Druk op **LF/FF** om het vel uit te voeren en zet de printer vervolgens uit.

Hier ziet u een deel van een typische zelftestafdruk:

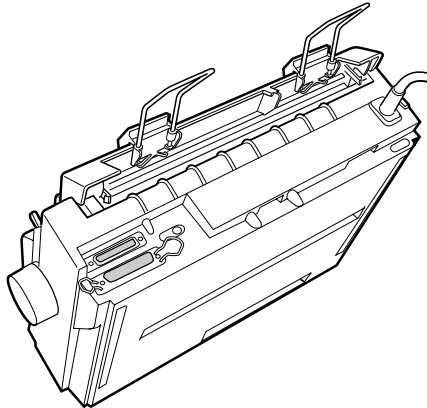
```
!"#$%&'()*+,-./0123456789:;<=>?@ABCDEFGHI  
!"#$%&'()*+,-./0123456789:;<=>?@ABCDEFGHI  
!"#$%&'()*+,-./0123456789:;<=>?@ABCDEFGHI  
!"#$%&'()*+,-./0123456789:;<=>?@ABCDEFGHIJK  
!"#$%&'()*+,-./0123456789:;<=>?@ABCDEFGHIJKL  
!"#$%&'()*+,-./0123456789:;<=>?@ABCDEFGHIJKLM  
!"#$%&'()*+,-./0123456789:;<=>?@ABCDEFGHIJKLMN
```

Opmerking:

Als de zelftest niet naar behoren is afgedrukt, raadpleegt u hoofdstuk 4 "Probleemoplossing" van de on line-Gebruikershandleiding. Als ze echter juist is afgedrukt, gaat u naar het volgende gedeelte.

■ De printer op de computer aansluiten

De printer is uitgerust met een IEEE-1284-compatibele, parallelle interface en een EIA-232D seriële interface. Zet voor u begint de printer rechtop, zoals hieronder weergegeven. (Hierdoor kunt u de kabel eenvoudiger aansluiten.)



Sluit uw computer op de gewenste interface aan volgens de uitleg hieronder.

Opmerking:

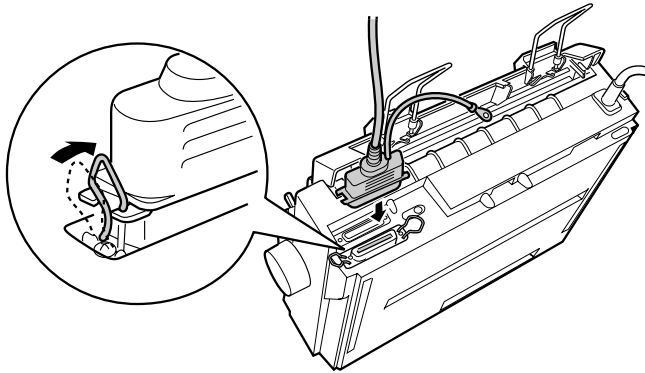
Het is mogelijk een kabel op beide interfaces aan te sluiten. De printer kiest automatisch de juiste interface wanneer er gegevens ontvangen worden.

■ De parallelle interface gebruiken

U hebt een afgeschermd, twisted-pair kabel van maximaal 2 meter nodig om de parallelle interface te kunnen gebruiken.

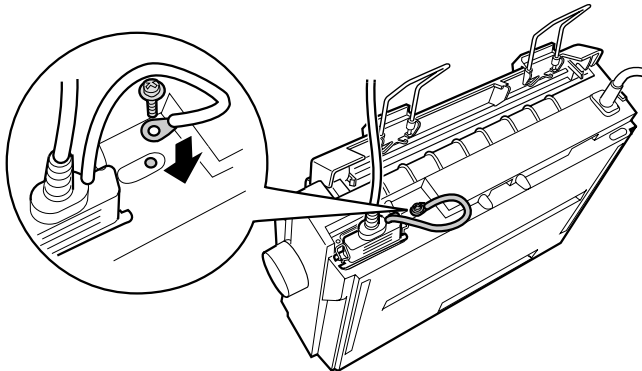
Volg deze stappen om de printer op de parallele poort van uw computer aan te sluiten:

1. Zet de computer en de printer uit.
2. Sluit de connector van de parallele kabel stevig aan op de parallele interface van de printer. Knijp de draadklemmetjes dicht tot ze aan weerszijden van de connector vastklikken.



Opmerking:

Als er zich een aardingsdraad aan het einde van de kabel bevindt, bevestig deze dan aan de aardingsconnector rechts naast de parallele poort.



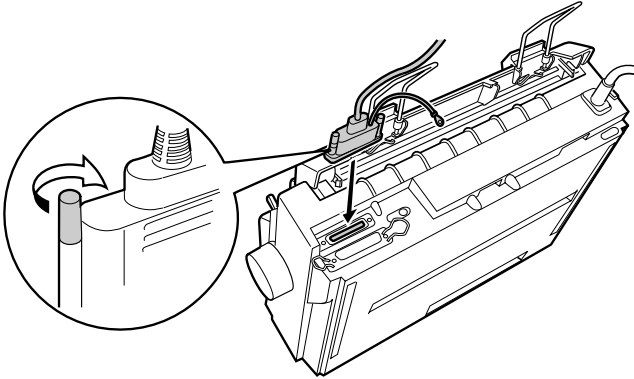
3. Sluit het andere uiteinde van de kabel aan op de parallele interface van de computer. (Als het uiteinde van de kabel is voorzien van een aardingsdraad, bevestigt u deze draad aan de aardingsconnector aan de achterzijde van de computer.)

■ De seriële interface gebruiken

U hebt een seriële kabel nodig met een DB-25-mannetjesstekker aan de kant van de printer om de seriële interface te kunnen gebruiken.

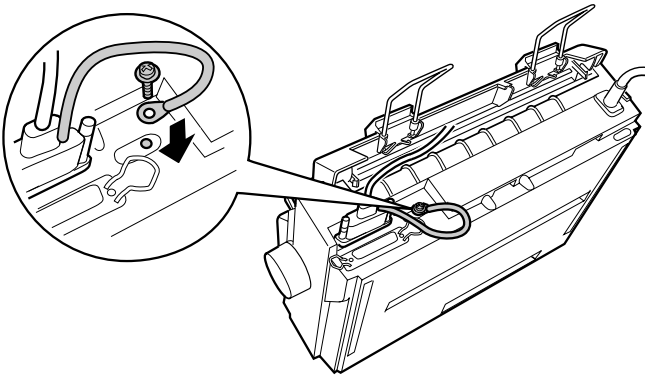
Volg deze stappen om de printer op de seriële poort van uw computer aan te sluiten:

1. Zet de computer en de printer uit.
2. Sluit de connector van de seriële kabel stevig aan op de seriële interface van de printer. Draai de schroeven aan weerszijden van de connector vast.



Opmerking:

Als er zich een aardingsdraad aan het einde van de kabel bevindt, bevestig deze dan aan de aardingsconnector rechts naast de seriële poort.



3. Sluit het andere uiteinde van de kabel aan op de seriële interface van de computer. Draai vervolgens de schroeven aan weerszijden van de connector goed vast. (Als het uiteinde van de kabel is voorzien van een aardingsdraad, bevestigt u deze draad aan de aardingsconnector aan de achterzijde van de computer.)

4. Gebruik de standaardinstellingenmodus om de instellingen voor baudrate of pariteit desgewenst te wijzigen. Zie "Informatie over de standaardinstellingen van de printer" in hoofdstuk 2 van de on line-*Gebruikershandleiding*.

■ De printersoftware installeren

Nadat u de printer op de computer hebt aangesloten, installeert u de EPSON-printersoftware die zich op de bijgeleverde cd-rom bevindt.

De printersoftware omvat:

- printerdriver
De printerdriver is het programma dat de printer aanstuurt. In de printerdriver kunt u instellingen vastleggen voor de afdrukkwaliteit en -resolutie, het papierformaat, etc.
- EPSON Status Monitor 3 (Windows Me, 98, 95, 2000 of NT 4.0)
EPSON Status Monitor 3 waarschuwt u wanneer er zich printerfouten voordoen en toont informatie over de status van de printer.
- EPSON Remote! (een printerinstallatieprogramma voor DOS-gebruikers)
Met EPSON Remote! kunt u makkelijk de instellingen van de printer wijzigen via uw monitor. Zie "Het hulpprogramma EPSON Remote! gebruiken" in hoofdstuk 3 van de on line-*Gebruikershandleiding*.

■ De software installeren onder Windows Me, 98, 95, 2000 of NT 4.0

Volg deze stappen om de software te installeren onder Windows Me, 98, 95, 2000 of NT 4.0:

Opmerking:

- *Als u de printerdriver installeert onder Windows 2000 of NT 4.0 hebt u daarvoor mogelijk administratorrechten nodig. Als u problemen ondervindt, raadpleegt u uw systeembeheerder voor meer informatie.*
- *Als u een disketteversie van de printersoftware op de cd-rom wenst te maken, plaatst u de cd-rom in de cd-rom-lezer en start u het programma START.EXE. Klik in het dialoogvenster dat verschijnt op de knop **Driver disk creation utility** en volg de instructies op het scherm.*
- *Als u de EPSON-software installeert vanaf een diskette, maakt u een reservekopie van de printersoftwarediskette(s) alvorens met de installatie te beginnen.*

1. Zet de printer en de computer uit.
2. Zet de pc aan. Windows start automatisch. Zet vervolgens de printer aan.
3. Plaats de cd-rom met printersoftware in de cd-rom-lezer. Het installatieprogramma wordt automatisch gestart.

Start het installatieprogramma niet automatisch, klik dan op **Start** en op **Run** (Uitvoeren). Typ in de opdrachtregel van het dialoogvenster **Run** (Uitvoeren) de letter van de cd-rom-lezer (bv. **E:**), gevolgd door de opdracht **START.EXE** (bv. **E:\START.EXE**) en klik op **OK**.

Opmerking:

*Als uw cd-rom-lezer niet met **E** wordt aangeduid, vervangt u de "E" door de juiste letter. Het installatieprogramma start. Het vervolg van de installatie verloopt via menu's; met een enkele muisklik selecteert u de gewenste opties in een keuzelijst. De installatieprocedure verloopt verder automatisch en u hoeft geen bijkomende informatie op te geven.*

4. Selecteer de gewenste opties en volg de instructies op het scherm.
5. Wanneer de installatie is voltooid, klikt u op het deurpictogram om het installatieprogramma af te sluiten.

Opmerking:

- *Als het dialoogvenster **New Hardware Found** (Nieuwe hardware gevonden) of een andere wizard wordt weergegeven wanneer u de computer start, klikt u op **Cancel** (Annuleren) en voert u de bovenstaande procedure uit.*
- *Hoe snel de installatie verloopt, is afhankelijk van het vermogen van uw computer.*

Voor informatie over het starten en gebruiken van de software raadpleegt u hoofdstuk 3 "De printersoftware gebruiken" in de on line-*Gebruikershandleiding*. Nadat de printerdriver is geïnstalleerd onder Windows Me, 98, 95, 2000 of NT 4.0, kunt u het hulpprogramma EPSON Status Monitor 3 installeren. Zie "Over EPSON Status Monitor 3" in hoofdstuk 3 van de on line-*Gebruikershandleiding* voor meer informatie over de installatie en het gebruik van de Status Monitor.

■ De printersoftware installeren onder Windows 3.1 of NT 3.5x

Installeer als volgt de printersoftware onder Windows 3.1 of Windows NT 3.5x.

Opmerking:

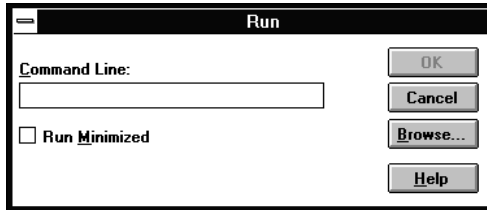
Als u de printersoftware onder Windows NT 3.5x installeert, hebt u wellicht bepaalde netwerkrechten nodig. Uw systeembeheerder kan u hierover meer informatie verstrekken.

1. Start Windows 3.1 of NT 3.5x en open het venster **Program Manager** (Programmabeheer).
2. Plaats de bijgeleverde cd-rom met printersoftware in de cd-rom-lezer.

Opmerking:

Als u niet over een cd-rom-lezer beschikt, kunt u de software naar een diskette kopiëren en de software vanaf de diskette op uw systeem plaatsen.

3. Klik in het menu **File** (Bestand) op **Run** (Uitvoeren). Het dialoogvenster **Run** (Uitvoeren) wordt geopend. In het vak **Command Line** (Opdrachtregel) typt u **E:START** en vervolgens klikt u op **OK**.



Opmerking:

*Als uw cd-rom-lezer niet met **E** wordt aangeduid, vervangt u de "E" door de juiste letter.*

Het installatieprogramma start. Het vervolg van de installatie verloopt via menu's; met een enkele muisklik selecteert u de gewenste opties in een keuzelijst. De installatieprocedure verloopt verder automatisch en u hoeft geen bijkomende informatie op te geven.

4. Selecteer de gewenste opties en volg de instructies op het scherm.
5. Wanneer de installatie is voltooid, klikt u op het deurpictogram om het installatieprogramma af te sluiten.

Het installatieprogramma selecteert automatisch de LQ-300+ als de standaardprinter voor Windows-toepassingen.

Voor informatie over het starten en gebruiken van de software raadpleegt u hoofdstuk 3 "De printersoftware gebruiken" in de online-*Gebruikershandleiding*.

■ Voor DOS-gebruikers

Als u wilt afdrukken vanuit DOS-toepassingen, moet u de printer of een andere beschikbare printer in de lijst met printers van uw toepassing selecteren.

Kies EPSON LQ-300+ wanneer tijdens de configuratie of installatie van de DOS-toepassing naar een printer wordt gevraagd. Als de LQ-300+ niet in de printerlijst van de toepassing voorkomt, kiest u de eerste van de onderstaande printers die in de printerlijst voorkomt:

LQ-300	FX-86e/800
LQ-580/LQ-570e	JX-80
LX-810/850	EX-800
LX-800	EPSON LQ-printer
LX-80/86	EPSON FX-printer
FX-850	EPSON-printer

Als u in kleur wenst af te drukken, moet u de LQ-300 kiezen. De andere printers ondersteunen geen kleurafdrukken.

Opmerking:

Als geen enkele van deze printers in de printerlijst voorkomt, neemt u contact op met de fabrikant van uw software om na te gaan of er een update beschikbaar is.

■ Afdrukken

■ De printerdriver openen

Open de printerdriver als volgt.

Opmerking:

De onderstaande stappen bevatten algemene richtlijnen voor het openen van de printerdriver. De procedure kan voor elke toepassing anders zijn. Voor meer details raadpleegt u de handleiding van uw toepassing.

■ Windows Me/98/95/2000 en Windows NT 4.0

1. Klik in het menu **File** (Bestand) van uw toepassing op **Print Setup** (Printerinstelling) of **Print** (Afdrukken). Het dialoogvenster **Print** (Afdrukken) of **Print Setup** (Printerinstelling) verschijnt.
2. Controleer of uw printer geselecteerd is en klik op **Printer, Setup, Properties** (Eigenschappen) of **Options** (Opties). (Het kan zijn dat u op twee of meer van deze knoppen moet klikken.) Het venster **Properties** (Eigenschappen) (Windows Me/98/95/2000) of **Document Properties** (Documenteigenschappen) (Windows NT 4.0) verschijnt, en u ziet de menu's **Paper** (Papier) en **Graphics** (Grafische afbeeldingen) (Windows Me/98/95/2000) of de menu's **Page Setup** (Pagina-instelling) en **Advanced** (Geavanceerd) (Windows NT 4.0). Deze menu's bevatten de printerdriverinstellingen.
3. U opent een menu door bovenaan in het venster op het bijbehorende tabblad te klikken. Voor meer informatie over de instellingen raadpleegt u hoofdstuk 3 "De printersoftware gebruiken" van de on line-*Gebruikershandleiding*.

Opmerking:

*Om de printerdriver te openen vanuit het **Start**-menu klikt u achtereenvolgens op **Start, Settings** (Instellingen) en **Printers** om het venster **Printers** te openen. Klik met de rechtermuisknop op het pictogram van de printer en klik op **Properties** (Eigenschappen) (Windows Me/98/95/2000) of **Document Defaults** (Standaardwaarden document) (Windows NT 4.0).*

4. Als u de gewenste instellingen hebt vastgelegd, klikt u op **OK** om de instellingen toe te passen of op **Restore Defaults** (Standaardwaarden herstellen) (Windows Me/2000/95/98) of **Cancel** (Annuleren) (Windows NT) om terug te keren naar de oorspronkelijke waarden.
5. Klik in het dialoogvenster **Print** (Afdrukken) of **Print Setup** (Printerinstelling) op **OK** om de afdruktaak te starten.

■ Windows 3.1 en Windows NT 3.5x

1. Klik in het menu **File** (Bestand) van uw toepassing op **Print Setup** (Printerinstelling) of **Print** (Afdrukken). Het dialoogvenster **Print** (Afdrukken) of **Print Setup** (Printerinstelling) verschijnt.
2. Controleer of uw printer geselecteerd is en klik op **Printer, Setup, Properties** (Eigenschappen) of **Options** (Opties). (Het kan zijn dat u op twee of meer van deze knoppen moet klikken.) Het dialoogvenster **Options** (Opties) (Windows 3.1) of **Document Properties** (Documenteigenschappen) (Windows NT 3.5x) verschijnt.

Opmerking:

*Om de printerdriver onder Windows 3.1 te openen vanuit het **Control Panel** (Configuratiescherm) dubbelklikt u in het venster **Main** (Hoofdgroep) op het pictogram **Control Panel** (Configuratiescherm) en vervolgens op het pictogram van de printer. Selecteer de printer en klik vervolgens op **Setup** (Instellen).*

*Onder Windows 3.5x opent u in het venster **Main** (Hoofdgroep) **Print Manager** (Afdrukbeheer) en zorgt u dat de printer is gemarkeerd; vervolgens klikt u op **Printer** en **Properties** (Eigenschappen). Klik tot slot op **Details** en **Job Default**.*

3. Als u de gewenste instellingen hebt vastgelegd, klikt u op **OK** om de instellingen toe te passen of op **Cancel** (Annuleren) om de wijzigingen te annuleren.
4. Klik in het dialoogvenster **Print** (Afdrukken) of **Print Setup** (Printerinstelling) op **OK** om de afdruktaak te starten.

■ Afdrukken op losse vellen

U kunt losse vellen vel per vel laden met behulp van de papiergeleider van de printer. U kunt losbladig papier gebruiken van 100 tot en met 257 mm breed.

Laad losse vellen zoals beschreven in "De zelftest uitvoeren" op pagina 12. Voor normaal gebruik volstaat het de printer aan te zetten en hoeft u niet op andere knoppen te drukken. De printer begint met afdrukken zodra deze afdrukgegevens ontvangt.



Let op:

Gebruik de knop aan de rechterzijde van de printer alleen om papier te verwijderen en doe dit alleen als de printer uitstaat. De printer kan anders beschadigd raken of de top-of-form-positie (bovenzijde formulier) kwijtraken.

■ De on line-handleiding gebruiken

De cd-rom die met uw printer wordt meegeleverd, bevat een on line-handleiding in PDF-formaat (PDF = Portable Document Format). PDF-bestanden kunnen op verschillende platformen worden gebruikt (bv. Windows, Macintosh, Unix, etc.), en zijn elektronische handleidingen met dezelfde layout, illustraties, tabellen enzovoort als een gedrukte handleiding. U kunt de on line-handleiding op uw scherm weergeven en deze desgewenst op een aangesloten printer afdrukken.

De volgende on line-handleiding is beschikbaar:

- **Gebruikershandleiding**

Bevat naast technische specificaties alles wat u moet weten over de werking en het onderhoud van de printer, en toont u hoe u eventuele problemen oplost. Raadpleeg deze handleiding voor gedetailleerde informatie over de LQ-300+.

Om de on line-handleiding te openen hebt u Adobe® Acrobat® Reader™ nodig. Het programma Adobe Acrobat Reader is een gebruiksvriendelijke toepassing om on line-handleidingen te lezen en af te drukken. Met de functies van het programma kunt u probleemloos on line-handleidingen gebruiken en elke gewenste informatie terugvinden. U kunt de informatie raadplegen op uw scherm of ze afdrukken voor gebruik nadien. Voor meer informatie over Adobe Acrobat Reader raadpleegt u de bijbehorende on line-help.

Als Acrobat Reader reeds op uw systeem is geïnstalleerd, kunt u dit gedeelte overslaan en naar het volgende gaan.

Opmerking:

Als Adobe Acrobat Reader niet op uw systeem is geïnstalleerd, wordt de handleiding niet geopend en verschijnt er een foutmelding.

■ Adobe Acrobat Reader installeren

1. Plaats de bijgeleverde cd-rom met EPSON-printersoftware in de cd-rom-lezer.

Windows Me/98/95/2000 en Windows NT 4.0

Het installatieprogramma op de cd-rom start automatisch en toont het startvenster.

Als het installatieprogramma niet automatisch wordt gestart, klik dan op **Start**, vervolgens op **Run** (Uitvoeren), en typ de opdracht **E:\Start.exe** om het installatieprogramma te starten.

Opmerking:

*Als uw cd-rom-lezer niet met **E** wordt aangeduid, vervangt u de "E" door de juiste letter.*

Windows 3.1x/NT 3.5x:

Selecteer **Run** (Uitvoeren) in het menu **File** (Bestand) en typ de opdracht **E:\Start.exe** om het installatieprogramma te starten.

Opmerking:

*Als uw cd-rom-lezer niet met **E** wordt aangeduid, vervangt u de "E" door de juiste letter.*

2. Selecteer de gewenste taal.
3. Selecteer achtereenvolgens **On line-handleidingen** en **Acrobat Reader installeren** en volg de instructies op het scherm.

Nadat Acrobat Reader op uw systeem is geïnstalleerd, kunt u de on line-handleiding openen.

■ De on line-handleiding openen

Het installatieprogramma op de cd-rom biedt twee mogelijkheden om de on line-handleiding te openen: vanaf de cd-rom of vanaf de vaste schijf van uw computer.

Opmerking:

Alvorens u de on line-handleiding vanaf uw harde schijf kunt openen, dient u deze op de vaste schijf te installeren.

1. Plaats de bijgeleverde cd-rom met EPSON-printersoftware in de cd-rom-lezer.

Windows Me/98/95/2000/NT 4.0:

Het installatieprogramma op de cd-rom start automatisch en toont het startvenster. Als het installatieprogramma niet automatisch wordt gestart, klik dan op **Start**, vervolgens op **Run** (Uitvoeren), en typ de opdracht **E:\Start.exe** om het installatieprogramma te starten.

Opmerking:

*Als uw cd-rom-lezer niet met **E** wordt aangeduid, vervangt u de "E" door de juiste letter.*

Windows 3.1x/NT 3.5x:

Selecteer **Run** (Uitvoeren) in het menu **File** (Bestand) en typ de opdracht **E:\Start.exe** om het installatieprogramma te starten.

Opmerking:

*Als uw cd-rom-lezer niet met **E** wordt aangeduid, vervangt u de "E" door de juiste letter.*

2. Selecteer de gewenste taal.
3. Selecteer **On line-handleidingen**. Het installatieprogramma toont de naam van de beschikbare on line-handleiding. Selecteer de on line-handleiding.
Selecteer **naam handleiding - lezen** als u de handleiding wilt openen vanaf de cd-rom. Acrobat Reader wordt automatisch gestart en de on line-handleiding wordt geopend.

Opmerking:

*Om de on line-handleiding naar de vaste schijf van uw systeem te kopiëren selecteert u **naam handleiding - op PC installeren**. Nadien kunt u de handleiding desgewenst van uw vaste schijf verwijderen. Hiertoe volgt u de instructies op de cd-rom.*

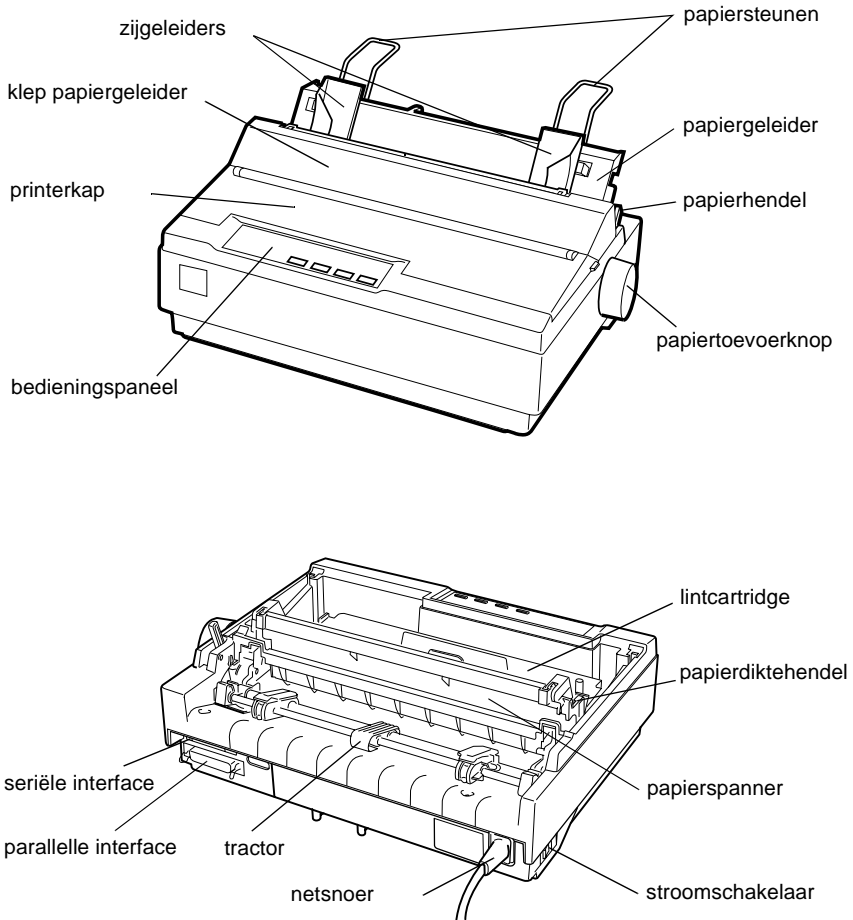
Als de handleiding reeds op uw vaste schijf staat, gaat u als volgt te werk.

- **Windows Me/98/95/2000/NT 4.0:**
Klik op **Start**, wijs naar **Programs** (Programma's), en wijs naar **EPSON**. Klik op de naam van de on line-handleiding. Acrobat Reader wordt automatisch gestart en de on line-handleiding wordt geopend.
- **Windows 3.1x/NT 3.5x:**
Open de programmagroep **EPSON**. Klik op de naam van de on line-handleiding. Acrobat Reader wordt automatisch gestart en de on line-handleiding wordt geopend.

■ Klantendienst

EPSONs Service and Support-helpdesk staat voor u klaar als u dringend hulp nodig hebt. U vindt het telefoonnummer en verdere belangrijke informatie voor uw land in de Service and Support-brochure die met de printer wordt meegeleverd.

■ Printeronderdelen



EPSON®

24-iglični matrični tiskalnik

LQ-300+

Priročnik za namestitev

Vse pravice pridržane. Brez poprejšnjega pisnega dovoljenja družbe SEIKO EPSON CORPORATION ni nobenega dela tega dokumenta dovoljeno reproducirati, shranjevati v sistemu za arhiviranje ali pošiljati v kakršnikoli obliki ali na kakršenkoli način, ne elektronski ali mehanski, ne s fotokopiranjem, snemanjem ali drugače. Uporaba informacij v tem dokumentu vam ne daje nobenih patentnih pravic. Prav tako se ne prevzema nobena odgovornost za škodo, ki je posledica uporabe informacij v tem dokumentu.

Ne družba SEIKO EPSON CORPORATION ne njena lastniško povezana podjetja niso kupcu tega izdelka ali tretjim osebam odgovorna za škodo, izgube ali stroške, ki jih kupec ali tretje osebe utrpijo kot posledico nesreče, napačne uporabe ali zlorabe tega izdelka, nedovoljenih sprememb, popravil ali dopolnitev tega izdelka oziroma (razen v ZDA) ravnanja, ki ni skladno z navodili družbe SEIKO EPSON CORPORATION za uporabo in vzdrževanje.

Družba SEIKO EPSON CORPORATION in njena lastniško povezana podjetja niso odgovorna za škodo ali težave, ki so posledica uporabe kakršnekoli dodatne opreme ali potrošnih izdelkov, razen tistih, ki jih družba SEIKO EPSON CORPORATION označi kot izvirne izdelke EPSON (Original EPSON Products) ali odobrene izdelke EPSON (EPSON Approved Products).

EPSON je zaščitena blagovna znamka družbe SEIKO EPSON CORPORATION.

Microsoft, Windows in Windows NT so zaščitene blagovne znamke družbe Microsoft Corporation v ZDA in/ali drugih državah.

Splošno obvestilo: Imena drugih izdelkov so v tem dokumentu uporabljena zgolj za namene prepoznavanja in so lahko blagovne znamke njihovih lastnikov. EPSON se odpoveduje vsem pravicam za te znamke.

1. Varnostne in okoljske informacije

Oznake za opozorila, razdelke, ki svetujejo previdnost, in opombe



Opozorila

morate skrbno upoštevati, da se izognete telesnim poškodbam.



Previdnostne nasvete

morate upoštevati, da se izognete poškodbam opreme.

Opombe vsebujejo pomembne informacije in uporabne nasvete za uporabo tiskalnika.

Opozorilo o vročih delih



Ta oznaka na tiskalni glavi ali drugih delih označuje, da utegnejo biti ti vroči. Teh delov se ne dotikajte takoj po uporabi tiskalnika. Počakajte nekaj minut, da se ohladijo.

Pomembna varnostna navodila

Pred uporabo tiskalnika preberite celotna varnostna navodila. Upoštevajte tudi vsa opozorila in navodila na tiskalniku.



Previdno:

Napajalni kabel mora ustrezati varnostnim standardom v državi, kjer uporabljate tiskalnik.

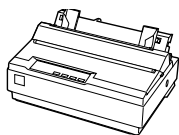
- Uporabljajte samo tisto vrsto vira napajanja, ki je označena na nalepki na tiskalniku.
- Priključite vso opremo na ustrezno ozemljene vtičnice.
- Ne uporabljajte poškodovanega ali natrganega napajalnega kabla.
- Če za priključitev napajalnika uporabljate podaljšek z razdelilnikom, mora biti skupni nazivni tok vseh naprav, priključenih nanj, manjši od nazivnega toka podaljška. Prav tako nazivni tok vseh naprav, priključenih na zidno vtičnico, ne sme presegati nazivnega toka vtičnice.

- Preden začnete čistiti napajalni kabel tiskalnika, ga iztaknite, pri čiščenju pa vedno uporabljajte le vlažno krpo.
- Tiskalnika ne smete politi s tekočino.
- Tiskalnika ne skušajte popraviti sami, razen tako, kot je izrecno opisano v tem priročniku.
- V naslednjih primerih iztaknite napajalni kabel tiskalnika in se za popravilo obrnite na ustrezno usposobljenega serviserja:
 - i. Če je napajalni kabel ali vtikač poškodovan.
 - ii. Če ste tiskalnik polili s tekočino in je ta odtekla v notranjost.
 - iii. Če je tiskalnik padel ali je ohišje kakorkoli poškodovano.
 - iv. Če tiskalnik ne deluje kot običajno ali se način delovanja znatno spremeni.
- Če nameravate tiskalnik uporabljati v Nemčiji, upoštevajte naslednje: Da bi se ustrezno zaščitili pred morebitnimi kratkimi stiki in poškodbami zaradi čezmernega toka, mora biti električna napeljava v zgradbi, kjer je priključen tiskalnik, zaščitena z 10- ali 16-ampersko varovalko.

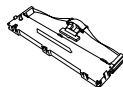
Izbira primernege mesta za tiskalnik

- Tiskalnika ne postavljajte na nestabilno površino, zraven radiatorja ali drugega vira toplote.
- Ne prekrivajte rež in odprtih na ohišju tiskalnika ter vanje ne potiskajte predmetov.
- Postavite tiskalnik na ravno, stabilno površino. Če je stoji pod kotom ali je nagnjen, ne bo deloval pravilno.
- Tiskalnik postavite tako, da ga boste lahko po potrebi priključili na omrežni kabel.
- Okoli tiskalnika naj bo dovolj prostora za preprosto uporabo in vzdrževanje.
- Tiskalnika ne uporabljajte ali shranjujte v okolju, kjer se temperatura in vlažnost hitro spreminjata. Ne izpostavljajte ga neposredni sončni svetlobi, močni svetlobi, virom toplote in čezmerni vlagi ali prahu.
- Izogibajte se mestom, ki so izpostavljena udarcem in vibracijam.

2. Odstranjevanje embalaže tiskalnika



tiskalnik



kaseta s trakom



opore za papir



gumb za podajanje papirja



CD-ROM s programsko opremo



priročnik za namestitev



list z obvestili



napajalni kabel
V nekaterih državah je priključen neposredno na tiskalnik.

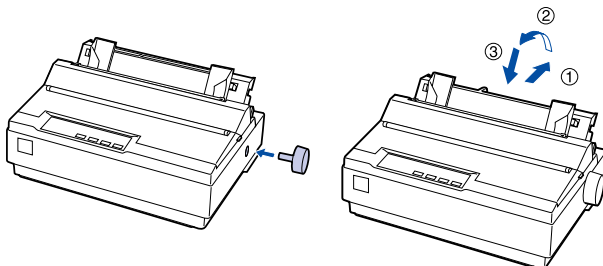
Odstranite zaščitno embalažo

Pri odstranjevanju zaščitne embalaže upoštevajte navodila na listu z obvestili.

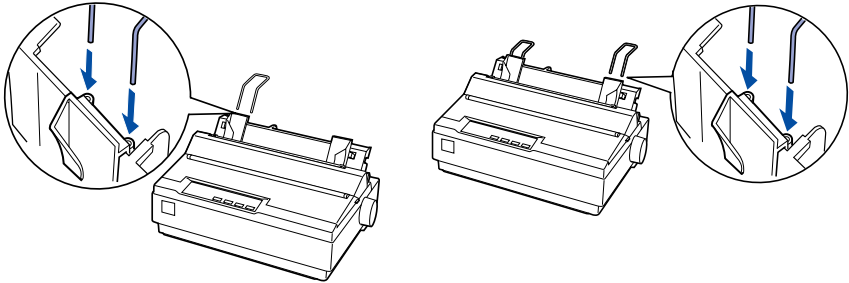
Embalažo in zaščitni material shranite, saj ju utegnete še potrebovati.

3. Sestavljanje tiskalnika

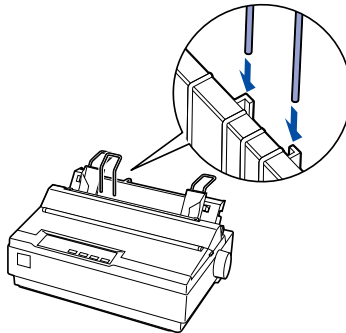
1. Tiskalnik mora biti izklopljen in napajalni kabel iztagnjen.
2. Gumb za podajanje papirja vstavite v odprtino ob strani tiskalnika.
Vodilo za papir povlecite nazaj. Privzdignite ga in ga nato trdno potisnite na mesto.



3. Dve opori za papir pritrdite na vodilo roba.

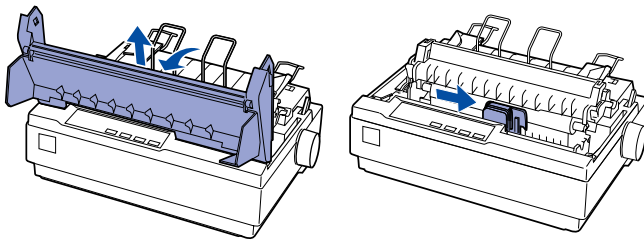


4. Drugi dve opori pritrdite na napenjalno enoto za papir.

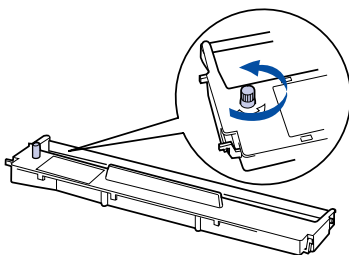


5. Odstranite pokrov tiskalnika.

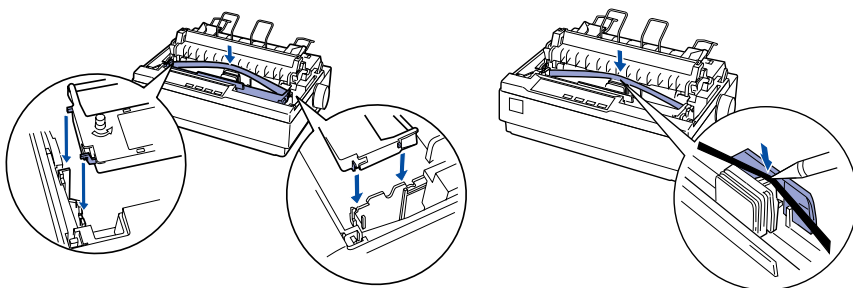
Tiskalna glava mora stati 10 cm (4 palce) od leve strani.



6. Gumb za napenjanje traku obrnite v smeri puščice, tako da trak ne bo ohlapen.



7. Kaseto s trakom vstavite v tiskalnik.
S koničastim predmetom, na primer s kemičnim svinčnikom, namestite trak med tiskalno glavo in vodilo traku. Obračajte gumb za napenjanje traku, dokler ni trak pravilno nameščen; ne sme biti zviti ali naguban.



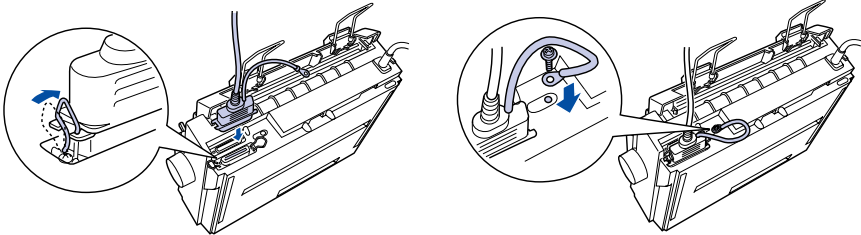
8. Namestite in zaprite pokrov tiskalnika.

4. Priklučevanje tiskalnika na računalnik

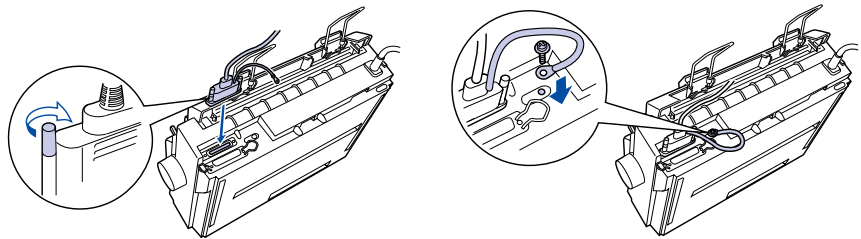
Priklučevanje tiskalnika

Tiskalnik in računalnik izklopite, nato pa nanju priključite vmesnik.

vzporedni vmesnik



zaporedni vmesnik



Priklop tiskalnika

1. Izklopite tiskalnik.
2. Če napajalni kabel ni pritrjen na tiskalnik, ga priključite na ustrezno vtičnico na hrbtni strani tiskalnika.
3. Priključite napajalni kabel v ustrezno ozemljeno zidno vtičnico.

5. Namestitev programske opreme za tiskalnik

Za uporabnike operacijskega sistema Windows XP

Če želite namestiti tiskalniški gonilnik, sledite spodnjim navodilom.

Kako namestiti tiskalniški gonilnik

1. Izklopite tiskalnik in ga nato priključite na računalnik.
2. Vkllopite tiskalnik.
3. Vkllopite računalnik in zaženite Windows XP.
4. Računalnik zaradi funkcije Plug & Play zazna tiskalnik in odpre se čarovnik za novo strojno opremo.
5. Izberite možnost za namestitev s seznama ali določenega mesta **Install from a list or specific location [Advanced]** in kliknite **Next** (Naprej).
6. Vstavite CD-ROM, ki ste ga dobili s tiskalnikom.
Odre se namestitveni program. Okno zaprite tako, da kliknete gumb v zgornjem desnem kotu.
7. V oknu Search for the best driver in these locations (Poišči najboljši gonilnik na teh mestih) izberite samo možnost za izbiro mesta tiskalnika **Include this location in the search** Vključi to mesto pri iskanju).
Vnesite imeniško ime CD-ROM-a, ki ste ga vstavili pri 6. koraku, in kliknite **Next** (Naprej).
Kliknite **Browse** (Prebrskaj) in izberite mesto tiskalniškega gonilnika.
Če je pogon CD-ROM na primer D, vnesite »D:WIN2000« ali »D:WIX2000«.
8. Ko se prikaže opozorilo, morate klikniti gumb **Continue** (Nadaljuj), da bi lahko nadaljevali namestitev gonilnika.
9. Kliknite **Complete** (Dokončaj), da zaključite namestitev tiskalniškega gonilnika. Če ste starejšo različico operacijskega sistema Windows nadgradili na Windows XP, pred namestitvijo novega tiskalniškega gonilnika najprej odstranite obstoječega.

EPSON Status Monitor 3

Če EPSON Status Monitor 3 uporabljate v operacijskem sistemu Windows XP, ga namestite s CD-ROM-a s tiskalniško programsko opremo, ki ste ga dobili s tiskalnikom.

Po namestitvi tiskalniškega gonilnika namestite EPSON Status Monitor 3.

Če želite namestiti EPSON Status Monitor 3, sledite spodnjim navodilom.

Kako namestiti EPSON Status Monitor 3

1. Vstavite CD-ROM s tiskalniško programsko opremo, ki ste ga dobili s tiskalnikom. Ko se odpre namestitveni program, ga zaprite tako, da kliknete **Cancel** (Prekliči).
2. Na CD-ROM-u s tiskalniško programsko opremo izberite mapo **EPSON Status Monitor 3**.
(CD-ROM preiščite z možnostjo Explore (Razišči).)
3. V mapi EPSON Status Monitor 3 dvokliknite **stmsetup.exe**.
Ko se zažene namestitveni program za EPSON Status Monitor 3, sledite navodilom na zaslonu.

Za uporabnike operacijskega sistema Windows Me ali 2000

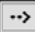
Opomba:

Za namestitev tiskalniške programske opreme v operacijskem sistemu Windows 2000 utegnete potrebovati skrbniške pravice. Če naletite na težave, se za več informacij obrnite na skrbnika sistema.

1. Tiskalnik mora biti izklopljen.
2. Vstavite CD-ROM s tiskalniško programsko opremo v pogon CD-ROM.
Odpre se pogovorno okno Install (Namestitev).

Opomba:

*Če se pogovorno okno za namestitev ne prikaže, dvokliknite datoteko **Setup.exe** na CD-ROM-u.*

3. Izberite **Install Software** (Namestitev programske opreme) in kliknite .
4. Sledite navodilom na zaslonu.

Za uporabnike operacijskega sistema Windows 98, 95, 3.1, NT 4.0 ali NT 3.5x

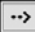
Opomba:

- Za namestitev tiskalniške programske opreme v operacijskem sistemu Windows NT utegnate potrebovati skrbniške pravice. Če naletite na težave, se za več informacij obrnite na skrbnika sistema.
- Primeri v naslednjem razdelku so iz operacijskega sistema Windows 98 in se morda razlikujejo od tistega, kar boste videli na zaslonu, vendar so navodila v vseh primerih enaka.

1. Če tiskalnik ni izklopljen, to storite, in vstavite CD-ROM s tiskalniško programsko opremo v pogon CD-ROM. Odpre se pogovorno okno Install (Namestitev).

Opomba:

Če se pogovorno okno za namestitev ne prikaže, dvokliknite datoteko **Setup.exe** na CD-ROM-u.

2. Izberite **Install Software** (Namestitev programske opreme) in kliknite .
3. Izberite svoj tiskalnik in kliknite **OK** (V redu), nato pa sledite navodilom na zaslonu.
4. Ko morate vstaviti CD-ROM operacijskega sistema Windows, to storite in kliknite **OK** (V redu).

Opomba:

- Če je bil operacijski sistem Windows tovarniško vnaprej nameščen v računalnik, morda za uspešno namestitev ne boste potrebovali CD-ROM-a operacijskega sistema Windows.
- Če se prikaže sporočilo, da pogon ni dostopen, kliknite **Cancel** (Prekliči) in poskusite znova.
- Če uporabljate Windows NT, nadaljujte s 5. korakom.

5. Kliknite **Browse** (Prebrskaj), da izberete ustrezno pot za tiskalniški gonilnik, nato kliknite **OK** (V redu) in sledite navodilom na zaslonu.

Opomba:

Uporabniki operacijskega sistema Windows NT boste morali vstaviti CD-ROM operacijskega sistema Windows, ko vas računalnik k temu pozove.

6. Izberite ustrezno datoteko v mapi in kliknite **OK** (V redu).

7. Ko morate vstaviti CD-ROM s tiskalniškimi gonilniki (Printer Driver Software CD-ROM), to storite in kliknite **Browse** (Prebrskaj), da izberete ustrezno pot.

Opomba:

- Če se prikaže sporočilo, da pogon ni dostopen, kliknite **Cancel** (Prekliči) in poskusite znova.
- Če se prikaže sporočilo »**System Error**« (Sistemska napaka), kliknite **Cancel** (Prekliči). Sporočila se za posamezne različice operacijskega sistema Windows razlikujejo.
- Če uporabljate Windows NT, vam poti ni treba navesti.
- Če uporabljate Windows 98, se bo morda zagnal program za namestitev tiskalniških orodij (Printer Utility Setup). Če se, sledite navodilom na zaslону.

8. Namestitev je končana in tiskalnik je pripravljen za uporabo.

Programi, ki delujejo v okolju DOS

Če želite tiskalnik upravljati iz programov za DOS, morate trenutni tiskalnik ali drugega, ki je na voljo, izbrati s seznama tiskalnikov v svojem programu.

Tiskalnik EPSON LQ-300+ izberite pri ustreznem koraku namestitve ali nastavitve programa za DOS. Če tiskalnika LQ-300+ ni na seznamu v programu, izberite s spodnjega seznama prvega, ki je na voljo.

LQ-300	LX-800	FX-86e/800	EPSON LQ printer
LQ-580/570e	LX-80/86	JX-80	(Tiskalnik EPSON LQ)
LX-810/850	FX-850	EX-800	EPSON FX printer
			(Tiskalnik EPSON FX)
			EPSON printer
			(Tiskalnik EPSON)

Če želite barvno tiskati, morate izbrati LQ-300. Drugi tiskalniki ne tiskajo v barvah.

Opomba:

Če na seznamu v programu ni ustrezne druge možnosti, se obrnite na proizvajalca programske opreme in povprašajte, ali je na voljo posodobitev.

Ko je tiskalniška programska oprema pravilno nameščena v računalnik, je tiskalnik pripravljen za uporabo.

6. Uporaba referenčnega priročnika

Referenčni priročnik vsebuje podrobne informacije o funkcijah tiskalnika, dodatnih izdelkih, tiskalniški programski opremi in odpravljanju težav ter tehnične podatke.

Referenčni priročnik na CD-ROM-u odprete takole:

1. Vstavite CD-ROM s tiskalniško programsko opremo v pogon CD-ROM.
2. Na zaslonu dvokliknite **User Guides** (Uporabniški priročniki). Odprlo se bo pogovorno okno s priročniki.

EPSON®

24-iglični matrični pisač

LQ-300+

Instalacijski priručnik

Sva prava pridržana. Niti jedan dio ove publikacije ne smije se reproducirati, spremati u sustav pohrane niti prenositi u bilo kojem obliku ili na bilo koji način, elektronički, mehanički, fotokopiranjem, snimanjem ili drugačije, bez prethodnog pismenog odobrenja tvrtke SEIKO EPSON CORPORATION. Ne preuzimamo patentnu odgovornost vezano uz korištenje ovdje navedenih informacija. Ne preuzimamo niti odgovornost za štete nastale korištenjem ovdje navedenih informacija.

Tvrtka SEIKO EPSON CORPORATION niti njezine podružnice neće biti odgovorne kupcu ovog proizvoda ili trećim stranama u slučaju šteta, gubitaka ili troškova na štetu kupca ili trećih strana nastalih zbog: nezgode, pogrešne uporabe ili zlorabe ovog proizvoda ili neovlaštenih izmjena, popravaka ili modifikacija ovog proizvoda, ili (izuzev za SAD) nepridržavanja uputa za rad i održavanje od tvrtke SEIKO EPSON CORPORATION.

Tvrtka SEIKO EPSON CORPORATION i njezine podružnice neće biti odgovorne za bilo kakve štete ili probleme nastale uporabom bilo kojeg dodatka ili potrošnog materijala koji ne nosi oznaku Original EPSON Products ili EPSON Approved Products od tvrtke SEIKO EPSON CORPORATION.

EPSON je registrirani zaštitni znak tvrtke SEIKO EPSON CORPORATION.

Microsoft, Windows i Windows NT su registrirani zaštitni znaci tvrtke Microsoft Corporation u Sjedinjenim Američkim Državama i/ili ostalim državama.

Opća napomena: Ostali ovdje spomenuti nazivi proizvoda služe isključivo radi identifikacije i mogu biti zaštitni znaci svojih vlasnika. EPSON se odriče svih prava na te znakove.

1. Sigurnosne i radne informacije

Upozorenja, oprezi i napomene



Upozorenja

treba ih se strogo pridržavati radi sprječavanja tjelesnih ozljeda.



Oprezi

treba ih se pridržavati radi sprječavanja šteta na uređaju.

Napomene sadrže važne informacije i korisne savjete vezane uz rad pisača.

Simbol opreza: zagrijani dijelovi



Ovaj se simbol nalazi na ispisnoj glavi i ostalim dijelovima, čime se ističe da ti dijelovi mogu biti zagrijani. Te dijelove nikad nemojte dodirivati neposredno nakon korištenja pisača. Ostavite neka se ohlade nekoliko minuta.

Važne sigurnosne upute

Prije korištenja pisača pročitajte sve sigurnosne upute. Osim toga, pridržavajte se svih upozorenja i uputa na samome pisaču.



Oprez:

Provjerite je li kabel za napajanje usklađen s važećim sigurnosnim standardima.

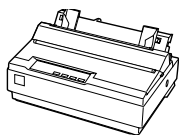
- Koristite samo izvor napajanja naznačen na naljepnici na pisaču.
- Sve uređaje uključite u ispravno uzemljene električne utičnice.
- Nemojte koristiti oštećeni ili oguljeni kabel za napajanje.
- Koristite li za napajanje pisača produžni kabel, provjerite da ukupna jakost struje svih uređaja priključenih u taj kabel ne prelazi nazivnu jakost struje kabela. Isto tako provjerite da ukupna jakost struje svih uređaja priključenih u električnu utičnicu ne prelazi nazivnu jakost struje utičnice.
- Prije čišćenja iskopčajte pisač, a čistite ga samo vlažnom krpom.

- Nemojte prolijevati tekućine po pisaču.
- Osim ako to nije izričito navedeno u ovome priručniku, nemojte pokušavati sami popravljati pisač.
- Iskopčajte pisač i odnesite ga ovlaštenom serviseru u ovim slučajevima:
 - i. ako je oštećen kabel za napajanje ili utikač
 - ii. ako je u pisač prodrla tekućina
 - iii. ako je pisač pao na pod ili je oštećeno vanjsko kućište
 - iv. ako pisač ne radi ispravno ili pokazuje značajnu promjenu u načinu rada
- Namjeravate li pisač koristiti u Njemačkoj, potrebno je poštivati sljedeće:
U svrhu ispravne zaštite pisača od kratkog spoja i prevelikog napona, električna mreža mora biti zaštićena osiguračem jakosti 10 ili 16 A.

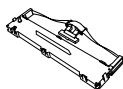
Odabir prostora za smještanje pisača

- Pisač nemojte postavljati na nestabilnu površinu ili pokraj radijatora ili nekog drugog izvora topline.
- Nemojte blokirati niti pokrivati otvore na vanjskom kućištu pisača, te nemojte uguravati predmete kroz te otvore.
- Pisač postavite na ravnu i stabilnu površinu. Pisač neće ispravno raditi ako je nagnut ili ukošen.
- Pisač postavite tako da se nalazi u blizini mrežne utičnice, ako ga je potrebno priključiti na mrežu.
- Oko pisača ostavite dovoljno slobodnog prostora radi lakšeg rada i održavanja.
- Pisač nemojte koristiti niti stavljati na mjesta koja su podložna naglim promjenama temperature i vlažnosti. Držite ga podalje od izravne sunčeve svjetlosti, snažnog izvora svjetlosti, izvora topline ili prekomjerne vlage i prašine.
- Izbjegavajte koristiti mjesta podložna udarcima i vibracijama.

2. Raspakiranje pisača



pisač



pisača vrpca



držači papira



dugme za
uvlačenje
papira



CD-ROM sa
softverom



Instalacijski
priručnik



kartica s
upozorenjima



kabel za napajanje
U nekim državama
može biti pričvršćen za
pisač.

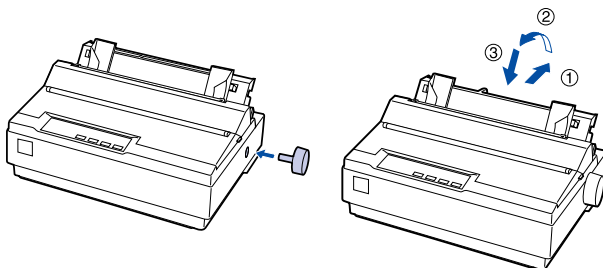
Vađenje zaštitnog materijala

Izvadite zaštitni materijal prema uputama na kartici s upozorenjima.

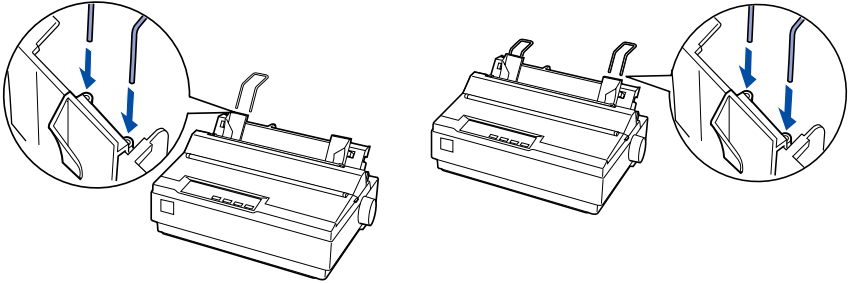
Spremite sav pakirni i zaštitni materijal ako će biti potreban za prijevoz pisača u budućnosti.

3. Sastavljanje pisača

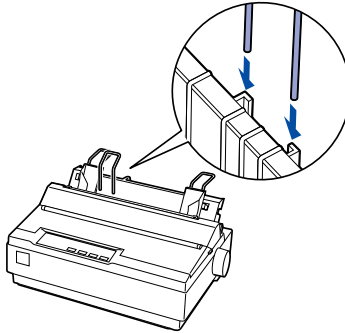
1. Provjerite je li pisač isključen i iskopčan.
2. U otvor na bočnoj strani pisača uvucite dugme za uvlačenje papira. Povucite vodilicu papira unatrag. Podignite je, a zatim čvrsto pritisnite.



3. Na bočnu vodilicu pričvrstite dva držača papira.

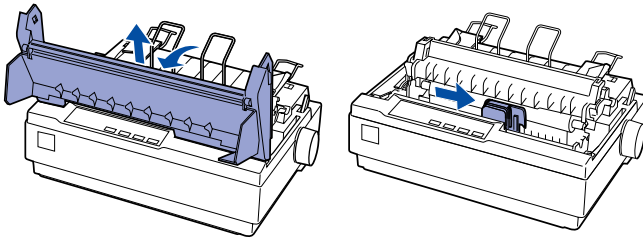


4. Preostala dva držača papira pričvrstite na uređaj za napinjanje papira.

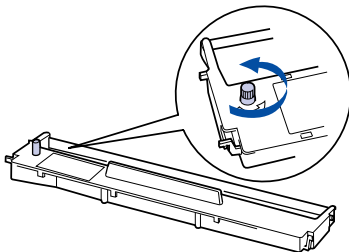


5. Skinite poklopac pisača.

Provjerite je li ispisna glava udaljena barem 10 cm od lijevog ruba.

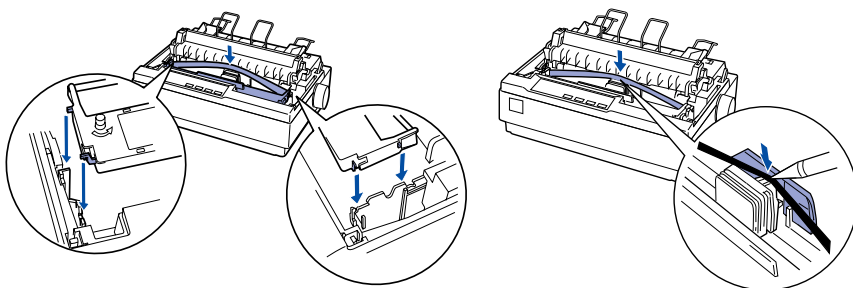


6. Dugme za napinjanje vrpce okrenite u smjeru strelice i napnite vrpcu.



7. Stavite pisaču vrpcu u pisač.

Naoštrenim predmetom, kao što je kemijska olovka, provucite vrpcu između ispisne glave i vodilice vrpce. Okrenite dugme za napinjanje vrpce kako bi sjela na svoje mjesto; vrpca ne smije biti presavijena ili naborana.



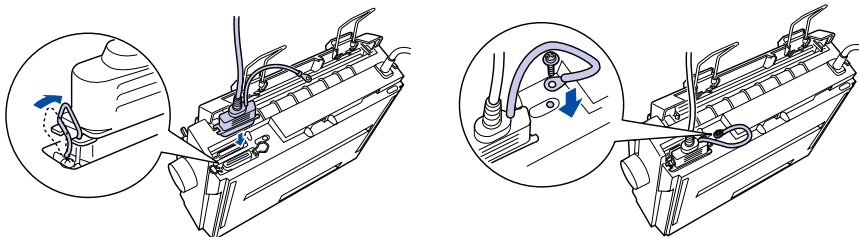
8. Postavite i zatvorite poklopac pisača.

4. Priključivanje pisača na računalo

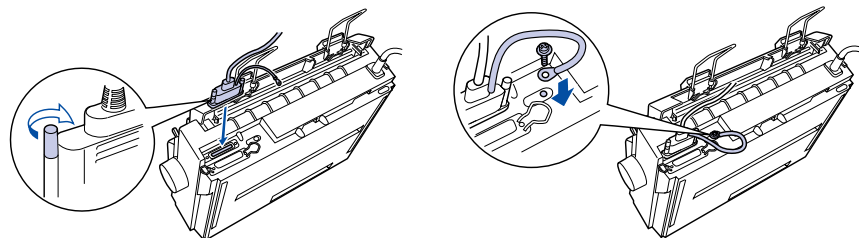
Priključivanje pisača

Provjerite jesu li pisač i računalo isključeni, a zatim ih povežite kabelom.

Paralelno sučelje



Serijsko sučelje



Ukopčavanje pisača

1. Provjerite je li pisač isključen.
2. Ako kabel za napajanje nije priključen na pisač, ukopčajte ga u utičnicu na stražnjoj strani pisača.
3. Kabel za napajanje priključite u ispravnu i uzemljenu električnu utičnicu.

5. Instaliranje softvera pisača

Za korisnike sustava Windows XP

Slijedi postupak instaliranja upravljačkog programa pisača.

Kako instalirati upravljački program pisača

1. Isključite pisač, a zatim ga priključite na računalo.
2. Uključite pisač.
3. Uključite računalo i pokrenite sustav Windows XP.
4. Funkcija “prikluči-i-radi” prepoznat će pisač i na zaslonu će se pojaviti Found New Hardware Wizard (Čarobnjak za pronalaženje novog hardvera).
5. Odaberite **Install from a list or specific location [Advanced]** (Instaliraj s popisa ili određenog mjesta [dodatno]), a zatim pritisnite **Next** (Dalje).
6. Ubacite CD-ROM priložen uz pisač.
Pojavit će se zaslon instalacijskog programa. Zatvorite zaslon pritiskom gumba u gornjem desnom kutu.
7. U polju Search for the best driver in these locations (Na ovim mjestima traži najbolji upravljački program) odaberite samo **Include this location in the search** (U pretraživanje uključi ovo mjesto). Upišite naziv mape CD-a ubačenog u 6. koraku, a zatim pritisnite **Next** (Dalje). Pritisnite **Browse** (Pregledaj) i odaberite mjesto gdje se nalazi upravljački program pisača.
Ako CD-ROM pogon, primjerice, ima oznaku D, upišite “D:WIN2000” ili “D:WIX2000”.
8. Kad se pojavi zaslon s upozorenjem, pritisnite **Continue** (Nastavi) i instaliranje upravljačkog programa pisača će se nastaviti.
9. Za dovršetak instaliranja upravljačkog programa pisača pritisnite **Complete** (Dovrši).
Ako je računalo nadograđeno s prethodne verzije sustava Windows na Windows XP, prije instaliranja novog upravljačkog programa deinstalirajte postojeći.

O programu EPSON Status Monitor 3

Ako program EPSON Status Monitor 3 koristite sa sustavom Windows XP, instalirajte EPSON Status Monitor 3 s CD-a sa softverom pisača priloženog uz pisač.

Nakon dovršetka instalacije upravljačkog programa pisača, instalirajte EPSON Status Monitor 3.

Slijedi postupak instaliranja programa EPSON Status Monitor 3.

Kako instalirati EPSON Status Monitor 3

1. Ubacite priloženi CD sa softverom pisača.
Kad se pojavi zaslon instalacijskog programa, pritisnite gumb **Cancel** (Odustani) kako biste zatvorili zaslon.
2. Na CD-u sa softverom pisača odaberite mapu **EPSON Status Monitor 3**.
(CD pregledajte pomoću Explorera.)
3. U mapi EPSON Status Monitor 3 dvaput pritisnite datoteku **stmsetup.exe**.
Kad se pojavi zaslon instalacijskog programa za EPSON Status Monitor 3, instalirajte taj program prateći upute na zaslonu.

Za korisnike sustava Windows Me i 2000

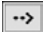
Napomena:

Za instaliranje softvera pisača u sustavu Windows 2000 potrebno je imati administratorske ovlasti. Imate li problema, detaljnije informacije zatražite od administratora.

1. Provjerite je li pisač isključen.
2. Stavite CD-ROM sa softverom pisača u CD-ROM pogon. Pojavit će se instalacijski dijaloški okvir.

Napomena:

*Ne pojavi li se instalacijski dijaloški okvir, dvaput pritisnite datoteku **Setup.exe** u CD-ROM-u.*

3. Odaberite **Install Software** (Instaliraj softver) i pritisnite .
4. Slijedite upute na zaslonu.

Za korisnike sustava Windows 98, 95, 3.1, NT 4.0 ili NT 3.5x


Napomena:

- Za instaliranje softvera pisača u sustavu Windows NT potrebno je imati administratorske ovlasti. Imate li problema, detaljnije informacije zatražite od administratora.
- Niže navedeni primjeri odnose se na operacijski sustav Windows 98. Izgledom se mogu razlikovati od stvarnog prikaza, ali su upute iste.

1. Provjerite je li pisač isključen, a zatim stavite CD-ROM sa softverom pisača u CD-ROM pogon. Pojavit će se instalacijski dijaloški okvir.

Napomena:

*Ne pojavi li se instalacijski dijaloški okvir, dvaput pritisnite datoteku **Setup.exe** u CD-ROM-u.*

2. Odaberite **Install Software** (Instaliraj softver) i pritisnite .
3. Odaberite svoj pisač, a zatim pritisnite **OK** (U redu) i slijedite upute na zaslonu.
4. Kad se to zatraži, stavite CD-ROM s operacijskim sustavom Windows, a zatim pritisnite **OK** (U redu).

Napomena:

- Ako je sustav Windows bio tvornički instaliran na računalu, instalacijski će program nastaviti bez traženja CD-ROM-a i pisač će biti spreman za korištenje.
- Primate li poruku da pogon nije dostupan, pritisnite **Cancel** (Odustani) i pokušajte ponovno.
- Koristite li sustav Windows NT, prijedite na 5. korak.

5. Pritisnite **Browse** (Pregledaj) i odaberite odgovarajući put do upravljačkog programa pisača, a zatim pritisnite **OK** (U redu) i slijedite upute na zaslonu.

Napomena:

Koristite li sustav Windows NT, CD-ROM sa sustavom Windows stavite kad se to zatraži na zaslonu.

6. U mapi odaberite odgovarajuću datoteku, a zatim pritisnite **OK** (U redu).

7. Kad se to zatraži, stavite CD-ROM sa softverom i upravljačkim programom pisača, a zatim pritisnite **Browse** (Pregledaj) i odaberite odgovarajući put.

Napomena:

- Primate li poruku da pogon nije dostupan, pritisnite **Cancel** (Odustani) i pokušajte ponovno.*
- Pojavi li se poruka "**System Error**" (Pogreška sustava), pritisnite **Cancel** (Odustani). Poruka će ovisiti o verziji operacijskog sustava Windows.*
- Koristite li sustav Windows NT, nije potrebno navoditi put.*
- Koristite li sustav Windows 98, može se pokrenuti program za instaliranje pisača. Dogodi li se to, slijedite upute na zaslону.*

8. Instaliranje je dovršeno. Pisač je spreman za korištenje.

Za DOS programe

Za upravljanje pisača iz programa u sustavu DOS, na popisu pisača u programu potrebno je odabrati pisač koji koristite ili neki drugi pisač.

U odgovarajućem koraku instalacijskog postupka DOS programa odaberite pisač EPSON LQ-300+. Ako u programu na popisu ne možete pronaći pisač LQ-300+, odaberite prvi dostupan pisač iz donje tablice.

LQ-300	LX-800	FX-86e/800	EPSON LQ pisač
LQ-580/570e	LX-80/86	JX-80	EPSON FX pisač
LX-810/850	FX-850	EX-800	EPSON-ov pisač

Namjeravate li koristiti boje, morate odabrati LQ-300. Ostali pisači ne mogu koristiti boje.

Napomena:

Ako u programu ne možete pronaći prikladnu zamjenu, obratite se proizvođaču softvera i saznajte postoji li ažurirana verzija.

Nakon što je softver pisača uspješno instaliran na računalo, pisač je spreman za korištenje.

6. Korištenje referentnog priručnika

U *Referentnom priručniku* možete pronaći detaljne informacije o funkcijama pisača, dodatnim proizvodima, softveru pisača, rješavanju problema i tehničke podatke o pisaču.

Referentni priručnik možete otvoriti s CD-ROM-a na sljedeći način:

1. Stavite CD-ROM sa softverom pisača u CD-ROM pogon.
2. Na zaslonu dvaput pritisnite **User Guides** (Priručnici). Otvorit će se dijaloški okvir priručnika.

EPSON®

24-игличен печатач со точкеста матрица

LQ-300+

Упатство за поставување

Сите права задржани. Ниеден дел од изданието не смее да се умножува, да се снима во систем за пребарување или да се пренесува во кој и да е облик или на кој и да е начин, електронски, механички, со фотокопирање, снимање или поинаку, без претходна писмена дозвола од SEIKO EPSON CORPORATION. Се одбива секоја патентна одговорност во врска со користењето на информациите што се содржани во документот. Се одбива и секоја одговорност за штетите настаните од користењето на информациите што се содржани во документот.

Ниту SEIKO EPSON CORPORATION, ниту нејзините партнери не може да се одговорни пред купувачот на овој производ, ниту пред трето лице, за штетите, за загубите, потрошените средства или за трошоците што ги претрпеле купувачот или трето лице како резултат од: несреќен случај, нестручна употреба или злоупотреба на овој производ или неовластени преиначувања, поправки или измени на производот, или (надвор од САД) непридржување кон упатствата на SEIKO EPSON CORPORATION за ракување и одржување.

SEIKO EPSON CORPORATION и нејзините партнери не одговараат за штетите или проблемите произлезени од употребата на која и да е опција од кои и да било производи освен оние означени како „Оригинални Епсонови производи“ или „Производи одобрени за Елсон“ од страна на SEIKO EPSON CORPORATION.

EPSON е регистрирана заштитена марка на SEIKO EPSON CORPORATION.

Мајкрософт, Виндоус и Виндоус NT се заштитени марки на Microsoft Corporation во САД и/или во други земји.

Општа забелешка: Другите споменати имиња на производи во документот служат само за препознавање и може да се заштитени знаци на нивните сопственици. EPSON не полага право на ниедно од правата на тие знаци.

1. Информации за безбедноста и за животната средина

Предупредувања, претпазливости и белешки



Предупредување

мора да се следи внимателно за да се избегнат телесни повреди.



Претпазливо

мора да се почитува за да се избегне оштетување на Вашата опрема.

Белешките содржат важни информации и корисни совети за ракување со Вашиот печатач.

Симбол за претпазливост поради жешки делови



Симболот е ставен на главата на печатачот и на другите делови за да укаже дека може да бидат жешки. Не допирајте ги тие делови ако сте го употребувале печатачот. Оставете ги да се изладат неколку минути пред да ги допрете.

Важни напатствија во врска со безбедноста

Прочитајте ги сите напатствија во врска со безбедноста пред употребата на печатачот. Освен тоа, почитувајте ги сите предупредувања и напатствија означени на самиот печатач.



Претпазливо:

Проверете дали гајтанот за наизменична струја е во согласност со важечките локални безбедносни стандарди.

- Користете само извор на електрична енергија каков што е означен на етикетата на печатачот.
- Поврзете ја опремата со правилно вземјени штекери за струја.
- Не употребувајте оштетен или ископинат гајтан за струја.

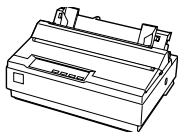
- ❑ Ако користите продолжен гајтан за печатачот, проверете дали вкупната ампеража на сите апарати приклучени на продолжниот гајтан е во рамките на дозволената ампеража на продолжниот. Исто така, проверете дали вкупната ампеража на сите апарати вклучени во сидниот штекер е во рамките на амперажата на сидниот штекер.
- ❑ Исклучете го печатачот од струја пред чистење и чистете го само со сува крпа.
- ❑ Не истурајте течности врз печатачот.
- ❑ Ако не е посебно објаснето во упатството, не обидувајте се сами да го поправате печатачот.
- ❑ Исклучете го печатачот од струја и препуштете го поправањето на квалификувани сервисери во следните случаи:
 - i. Ако гајтанот за струја е оштетен.
 - ii. Ако во печатачот навлегла течност.
 - iii. Ако печатачот Ви паднал или кукиштето е оштетено.
 - iv. Ако печатачот не работи нормално или дошло до драстична промена во перформансите.
- ❑ Ако мислите да го користите печатачот во Германија, почитувајте го следново:
За да се обезбеди соодветна заштита на печатачот од краток спој или напонски удар, електричната инсталација на зградата мора да е заштитена со осигурувачи од 10 или 16 ампера.

Одбирање на место за печатачот

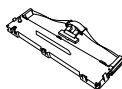
- ❑ Не ставајте го печатачот на нестабилна површина или блиску до радијатор или топлински извор.
- ❑ Не блокирајте ги и не покривајте ги приклучоците и отворите на кукиштето на печатачот, и не пикајте предмети во приклучоците.
- ❑ Ставете го печатачот на рамна, стабилна површина. Печатачот нема да работи правилно ако е навален или стои под агол.
- ❑ Ставете го печатачот на место каде што лесно ќе го поврзете со мрежен кабел, ако е потребно.
- ❑ Оставете доволно простор околу печатачот за лесно ракување и одржување.

- ❑ Избегнувајте да го користите или чувате печатачот на места подложни на брзи промени на температурата и влажноста на воздухот. Нека биде подалеку од директна сончева светлина, топлински извори, голема влажност или прав.
- ❑ Избегнувајте места подложни на удари и на вибрации.

2. Распакување на печатачот



печатач



касета за лентата



држачи за хартија



тркалце за
местење на
хартијата



ЦД со софтвер



Упатство за
поставување



Ливче со
белешки



гајтан за струја
Во некои земји може
да биде приклучен на
печатачот.

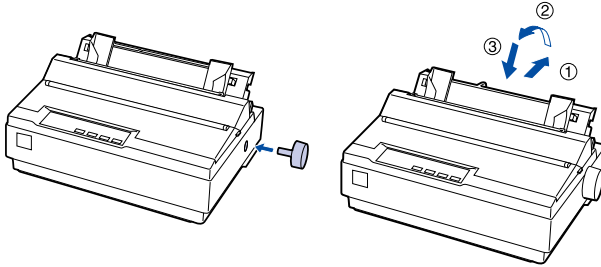
Извадете ги заштитните материјали

Следете ги напатствијата на ливчето со белешки за да ги извадите заштитните материјали.

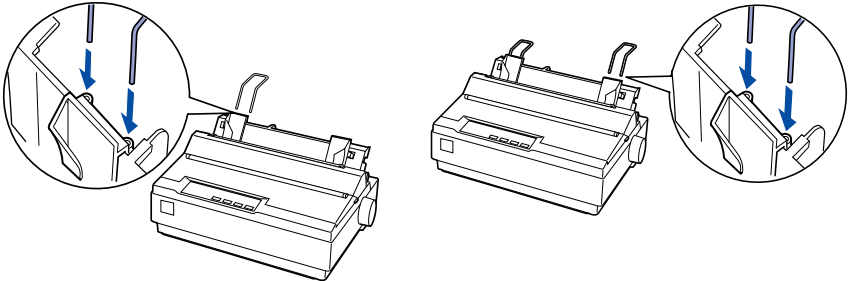
Чувајте ги сите материјали за пакување и за заштита во случај да треба некогаш да го спакувате печатачот.

3. Составување на печатачот

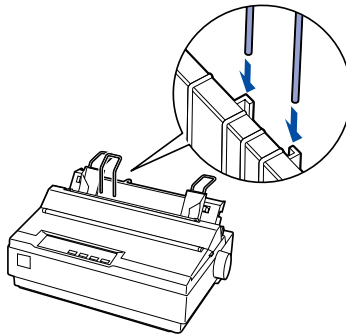
1. Проверете дали печатачот е исклучен и неприклучен во струја.
2. Пикнете го тркалцето за мesteње на хартијата во страничната дупка на печатачот. Повлечете го држачот за хартија наназад. Кренете го, па притиснете го цврсто додека не се намести.



3. Закачете два држачи за хартија на рабниот држач.

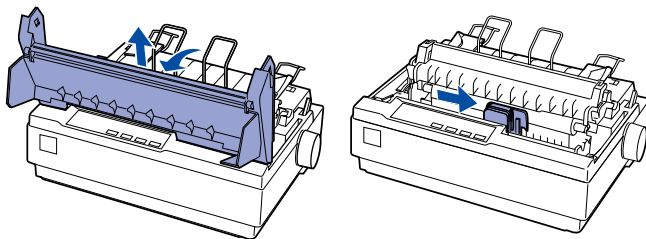


4. Закачете ги другите два држачи за хартија на затегнувачот за хартија.

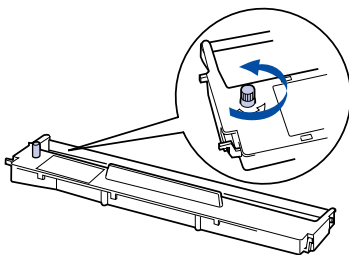


5. Извадете го капакот на печатачот.

Гледајте главата за печатење да биде сместена 10 см (4 инчи) од левиот раб.

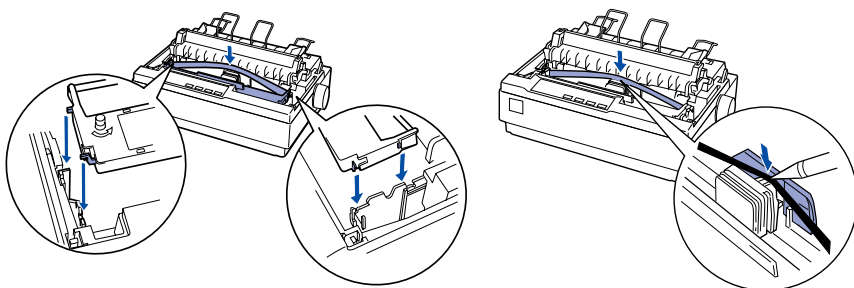


6. Завртете го тркалцето на касетата со лентата во насока на стрелката за да ја затегнете лентата ако е лабава.



7. Ставете ја касетата со лентата во печатачот

Со шилест предмет, на пример пенкало, протнете ја лентата помеѓу главата за печатење и држачот на лентата. Вртејќи го тркалцето за затегнување полесно ќе ја наместите лентата, зашто не смее да се извитка или прекрши.



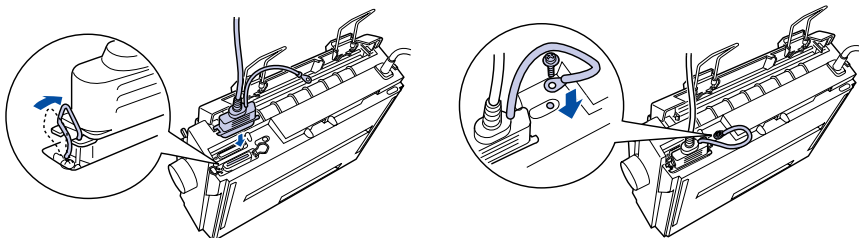
8. Наместете го и затворете го капакот на печатачот.

4. Поврзување на печатачот со компјутерот

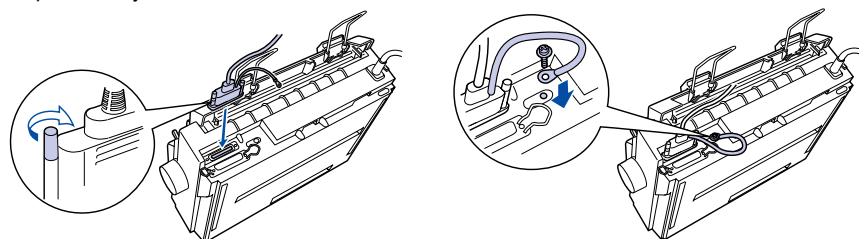
Поврзување на печатачот

Откако ќе утврдите дека печатачот и компјутерот се исклучени, приклучете го кабелот за поврзување во печатачот и во компјутерот.

Паралелен меѓусклоп



Сериски меѓусклоп



Приклучување на печатачот во електричната мрежа

1. Проверете дали печатачот е исклучен.
2. Ако гајтанот за струја не е приклучен на печатачот, ставете го соодветниот крај во струјниот приклучок од задната страна на печатачот.
3. Ставете го гајтанот за струја во правилно вземјен електричен штекер.

5. Инсталирање на софтверот за печатачот

За корисниците на Виндоус XP

За да го инсталирате драјверот за печатачот, постапете како што е опишано подолу.

Како се инсталира драјверот за печатачот

1. Исклучете го печатачот, па поврзете го печатачот со Вашиот компјутер.
2. Вклучете го печатачот.
3. Вклучете го Вашиот компјутер и активирајте го Виндоус XP.
4. Печатачот го наоѓа функцијата Plug & Play (приклучи и работи) и се отвора прозорецот Found New Hardware Wizard (помошник за најден нов хардвер).
5. Одберете **Install from a list or specific location [Advanced]** (Инсталирај од список или од одредено место (напредно)), па кликнете на **Next** (понатаму).
6. Ставете го ЦД-то што се испорачува со печатачот.
Се отвора екранот за инсталирање. Кликнете на копчето во горниот десен агол за да го затворите екранот.
7. Одберете само **Include this location in the search** (вклучи го ова место во пребарувањето) од Search for the best driver in these locations (барај го најдобриот драјвер од овие места). Напишете го името на директориумот на ЦД-то ставено под точка 6, па кликнете на **Next** (понатаму).
Кликнете на **Browse** (разгледај) за да го одберете местото на драјверот за печатачот.
На пример, кога погонот за ЦД-то е D, напишете „D:WIN2000“ или „D:WIX2000“.
8. Кога ќе се појави предупредувачкиот екран, кликнете на **Continue** (продолжи) за да продолжите со инсталацијата на драјверот за печатачот.

- Кликнете на **Complete** (заврши) за да завршите со инсталирањето на драјверот за печатачот.
Ако сте го надградиле компјутерот од претходна верзија на Виндоус на Виндоус XP, деинсталирајте го постоечкиот драјвер за печатачот пред да го инсталирате новиот.

За EPSON Status Monitor 3

Кога го користите EPSON Status Monitor 3 со Виндоус XP, инсталирајте го EPSON Status Monitor 3 што е на ЦД-то со софтвер што се испорачува со печатачот.

Кога ќе заврши инсталирањето на драјверот за печатачот, се инсталира EPSON Status Monitor 3.

За да го инсталирате EPSON Status Monitor 3, постапете како што е опишано подолу.

Како се инсталира EPSON Status Monitor 3

- Ставете го ЦД-то со софтвер што се испорачува со печатачот.
Кога ќе се појави екранот за инсталирање, кликнете на копчето **Cancel** (откажи) за да го затворите екранот.
- Одберете го директориумот **EPSON Status Monitor 3** на ЦД-то со софтвер за печатачот.
(Разгледајте го ЦД-то со функцијата Explore).
- Двојно кликнете на **stmsetup.exe** во директориумот EPSON Status Monitor 3. Кога ќе се појави екранот за инсталирање на EPSON Status Monitor 3, инсталирајте го следејќи ги напатствијата на екранот.

За корисниците на Виндоус Me или 2000


Забелешка:

За инсталирање на софтверот за печатачот во Виндоус 2000 може да се потребни администраторски овластувања. Ако имате проблеми, прашајте го Вашиот администратор за повеќе информации.

- Проверете дали печатачот е исклучен.
- Ставете го ЦД-то со софтверот за печатачот во погонот за ЦД на компјутерот. Ќе се отвори дијалогскиот оквир за инсталирање.

Забелешка:

*Ако не се појави дијалогскиот оквир за инсталирање, кликнете двојно на **Setup.exe** на ЦД-то.*

3. Одберете **Install Software** (инсталирај го софтверот), па кликнете на .
4. Следете ги напатствијата на екранот.

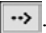
За корисниците на Виндоус 98, 95, 3.1, NT 4.0 или NT 3.5x

Забелешка:

- За инсталирање на софтверот за печатачот во Виндоус NT се потребни администраторски овластувања. Ако имате проблеми, прашајте го Вашиот администратор за повеќе информации.
 - Примерите во следниот дел се од оперативниот систем Виндоус 98. Изгледот може да биде различен од оној што ќе го видите на Вашиот екран, меѓутоа, напатствијата се исти.
1. Откако ќе утврдите дека печатачот е исклучен, ставете го ЦД-то со софтверот за печатачот во погонот за ЦД на компјутерот. Ќе се отвори дијалошкиот оквир за инсталирање.

Забелешка:

Ако не се појави дијалошкиот оквир за инсталирање, кликнете двојно на **Setup.exe** на ЦД-то.

2. Одберете **Install Software** (инсталирај го софтверот), па кликнете на .
3. Одберете го Вашиот печатач, па кликнете на **OK** и следете ги напатствијата на екранот.
4. Кога ќе Ви биде побарано, ставете го Вашето ЦД за Виндоус, па кликнете на **OK**.

Забелешка:

- Ако компјутерот сте го купиле со прединсталиран Виндоус, програмата за инсталација може да заврши без барање на ЦД-то за инсталирање на Виндоус и Вашиот печатач е подготвен за употреба.
- Ако се појави порака дека погонот не е достапен, кликнете на **Cancel** (откажи) и обидете се повторно.
- Ако користите Виндоус NT, прејдете на точка 5.

5. Кликнете на **Browse** (разгледај) за да ја одберете соодветната патека на драјверот за печатачот, па кликнете на **OK** и следете ги напатствијата на екранот.

Забелешка:

Ако користите Виндоус NT, ставете го Вашето инсталациско ЦД за Виндоус кога ќе биде побарано на екранот.

6. Одберете го соодветниот запис во директориумот, па кликнете на **OK**.
7. Кога ќе Ви биде побарано, ставете го ЦД-то Printer Driver Software (драјвери за печатачот), па кликнете на **Browse** (разгледај) за да ја одберете соодветната патека.

Забелешка:

- Ако се појави порака дека погонот не е достапен, кликнете на **Cancel** (откажи) и обидете се повторно.
- Ако се појави порака **System Error** (системска грешка) кликнете на **Cancel** (откажи). Текстот на пораката се разликува зависно од Вашата верзија на Виндоус.
- Ако користите Виндоус NT, не мора да определувате патека.
- Ако користите Виндоус 98, може да се активира Printer Utility Setup (поставување на алатките за печатачот). Ако се активира, следете ги напатствијата на екранот.

8. Поставувањето е завршено. Подготвени се да го користите печатачот.

За програми во ДОС

За да го контролирате печатачот од апликации во ДОС, треба да го одберете печатачот што го користите или друг достапен печатач од списокот на печатачите во Вашата апликација.

Одберете го печатачот EPSON LQ-300+ во соодветната фаза на поставувањето или процедурата за инсталирање во Вашата апликација под ДОС. Ако на списокот во Вашата апликација го нема печатачот LQ-300+, одберете го првиот достапен печатач од списокот.

LQ-300	LX-800	FX-86e/800	EPSON LQ printer
LQ-580/570e	LX-80/86	JX-80	EPSON FX printer
LX-810/850	FX-850	EX-800	EPSON printer

Ако мислите да користите боја, мора да го одберете LQ-300. Другите печатачи не можат да печатат во боја.

Забелешка:

Ако на списокот во Вашата апликација нема соодветна алтернатива, контактирајте со производителот на софтверот да видите дали има некаква надградба.

Кога софтверот за печатачот е успешно инсталиран на Вашиот компјутер, печатачот Ви е подготвен за употреба.

6. Користење на Упатството за употреба

Упатството за употреба содржи детални информации за функциите на печатачот, опционалните производи, софтверот за печатачот, решенија за проблемите и технички спецификации.

Постапете на следниот начин за да дојдете до *Упатството за употреба* на ЦД-то.

1. Ставете го ЦД-то со софтверот за печатачот во погонот за ЦД на компјутерот.
2. Двојно кликнете на **User Guides** (Прирачници) на екранот. Ќе се појави дијалогскиот оквир на водичот низ прирачниците.

EPSON®

24-iglični matrični štampač

LQ-300+

Srpski

Priručnik za postavljanje

Sva prava zadržana. Ni za jedan deo ove publikacije nije dozvoljena reprodukcija, memorisanje u sistem ili prenošenje u bilo kom obliku, bilo kakvim sredstvima, elektronskim, mehaničkim, fotokopiranjem, snimanjem ili drugčije, bez prethodnog pismenog odobrenja SEIKO EPSON CORPORATION-a. Nema preuzetih patentnih obaveza u smislu korišćenja ovde pomenutih informacija. Ne preuzimamo nikakve obaveze za oštećenja koja nastanu kao posledica korišćenja ovde navedenih informacija.

SEIKO EPSON CORPORATION ni preduzeća u njihovom vlasništvu nemaju nikakve obaveze prema dobavljaču ovog proizvoda ili trećoj strani za oštećenja, gubitke, troškove ili rashode kojima su izloženi dobavljač ili treće strane, a rezultat su: nezgode, pogrešne primene ili zloupotrebe proizvoda ili neovlaštenih preinaka, popravaka ili izmena proizvoda (izuzev SAD) nedostataka, što je strogo u skladu sa uputstvima za rad i održavanje SEIKO EPSON CORPORATION.

SEIKO EPSON CORPORATION i preduzeća u njihovom vlasništvu neće biti odgovorni za bilo kakva oštećenja ili probleme koje proizilaze iz korišćenja bilo kojih opcija ili potrošnih materijala, osim onih pomenutih kao originalnih EPSON proizvoda ili odobrenih za EPSON od strane SEIKO EPSON CORPORATION-a.

EPSON je registrovana trgovačka marka SEIKO EPSON CORPORATION-a.

Microsoft, Windows i Windows NT su registrovane trgovačke marke Microsoft Corporation-a u Sjedinjenim Američkim Državama i/ili drugim zemljama.

Opšte primedbe: Ostali nazivi proizvoda navedeni su samo u svrhu prepoznavanja i trgovačke marke su pojedinih vlasnika. EPSON se odriče bilo kakvih prava na te marke.

1. Informacije o sigurnosti i okolini

Upozorenja, mere opreza i beleške



Upozorenja

pažljivo pratite da bi izbegli telesne povrede.



Mere opreza

poštovanjem mera opreza izbegavate povređivanje opreme.

Beleške sadrže važne informacije i korisne savete o radu štampača.

Simboli upozorenja za vruće delove



Ovaj simbol se nalazi na glavi štampača i ostalim delovima, a ukazuje na to da su verovatno vrući. Nikad ne dodirujte te delove direktno posle upotrebe štampača. Pre nego što ih dodirnete pustite ih nekoliko minuta da se ohlade.

Važna sigurnosna uputstva

Pre upotrebe štampača pročitajte sva sigurnosna uputstva. Osim toga sledite sva upozorenja i uputstva naznačena na samom štampaču.



Upozorenje:

Pripazite da kabl za napajanje izmjeničnom strujom bude u skladu sa sigurnosnim standardima propisanim za to područje.

- Koristite isključivo izvor napajanja koji je naveden na nalepnici štampača.
- Svu opremu spajajte samo na ispravno uzemljene izvore napajanja.
- Nemojte da koristite oštećene ili istrošene kablove za napajanje.
- Ako za štampač koristite produžni kabl, pripazite da jačina struje u amperima svih uređaja spojenih na produžni kabl ne prelazi jačinu struje kabla. Takođe je važno da jačina struje svih uređaja spojenih u zid ne prelazi jačinu struje napajanja u zidu.
- Pre čišćenja, isključite štampač, čistite ga isključivo mokrom krpom.

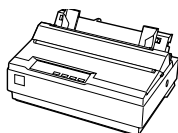
- ❑ Nemojte da prolivate tečnost na štampač.
- ❑ Osim ako nije izričito pomenuto u ovim uputstvima, nemojte da pokušavate da sami servisirate štampač.
- ❑ Isključite štampač i u sledećim slučajevima prepustite servis kvalifikovanom licu:
 - i. Ako je kabl za napajanje oštećen.
 - ii. Ako je tečnost ušla u štampač.
 - iii. Ako je štampač pao ili je kućište oštećeno.
 - iv. Ako štampač ne radi normalno ili pokazuje izrazite promene u radu.
- ❑ Ako nameravate da koristite štampač u Nemačkoj, obratite pažnju na sledeće:

Za odgovarajuću zaštitu od kratkog spoja i strujnog izboja, instalacija struje u objektu mora da bude zaštićena osiguračem od 10 ili 16 ampera.

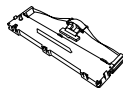
Biranje mesta za štampač

- ❑ Nemojte da postavljate štampač na nestabilnu površinu, blizu radijatora ili nekog izvora toplote.
- ❑ Nije dozvoljeno blokiranje ili pokrivanje utora i otvora na kućištu štampača, ni stavljanje predmeta u otvore.
- ❑ Postavite štampač na ravnu, stabilnu površinu. Štampač neće raditi ispravno, ako je nagnut ili pod uglom.
- ❑ Stavite štampač tako da možete lako da ga spojite s kablom mrežnog interfejsa, ako je to potrebno.
- ❑ Ostavite dosta mesta oko štampača za lakši rad i održavanje.
- ❑ Izbegavajte korišćenje ili odlaganje štampača u prostorima s naglim promenama temperature i vlage. Nemojte da ga izlažete direktnoj sunčevoj svetlosti, jakoj svetlosti, izvorima toplote ili prekomernoj vlazi i prašini.
- ❑ Izbegavajte mesta gde bi moglo da dođe do udaraca i vibracija.

2. Kako ćete da raspakujete svoj štampač



štampač



traka za štampač



podloga za papir



ručka za
uvlačenje
papira



CD-ROM softver



Priručnik za
postavljanje



Tabela s
beleškama



kabl za napajanje
U nekim zemljama
isporučuje se zajedno
sa štampačem.

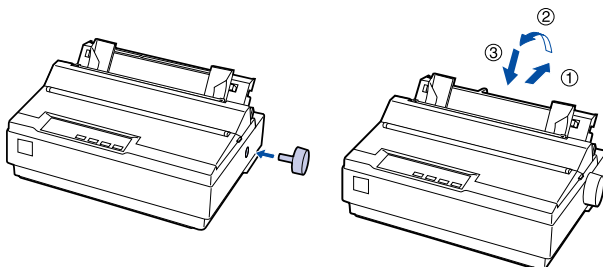
Skinite zaštitne materijale

Kod skidanja pratite uputstva s tabele sa beleškama.

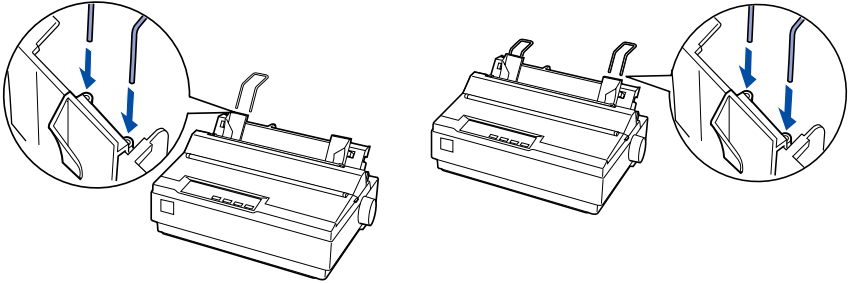
Sačuvajte sav materijal za zaštitu i pakovanje, jer bi mogao da vam zatreba za budući transport štampača.

3. Sastavljanje štampača

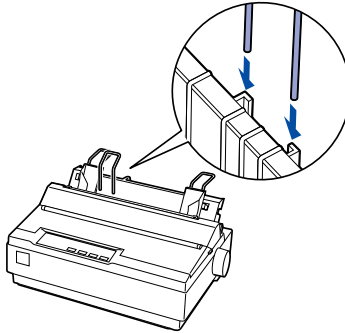
1. Pripazite da štampač bude isključen i izvučen iz struje.
2. Stavite ručku za uvlačenje papira u rupu sa strane štampača.
Povucite vođicu za papir prema nazad. Podignite je i čvrsto je gurnite dok ne sedne na svoje mesto.



3. Pričvrstite dve podloge za papir na rubnu vodicu.

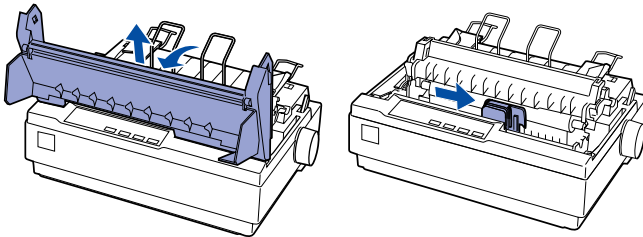


4. Pričvrstite dve druge podloge za papir na jedinicu za zatezanje papira.

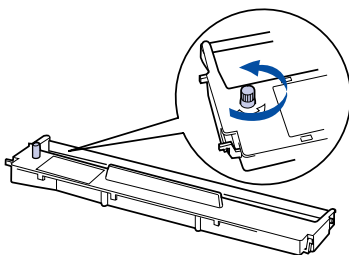


5. Skinite poklopac štampača.

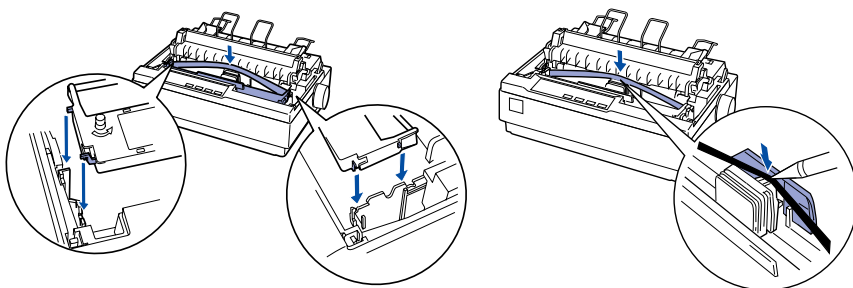
Proverite da li je glava štampača u poziciji 10 cm (4 inča) od leve strane uređaja.



6. Okrenite ručku za zatezanje trake u pravcu strelice da uklonite bilo kakvu nezategnutost trake.



7. Stavite traku za štampač u uređaj.
Koristite šiljat predmet kao što je hemijska olovka za guranje trake između glave štampača i vodice za traku. Za stavljanje trake na svoje mesto okrenite ručku za zatezanje; ne sme da bude savijena ili naborana.



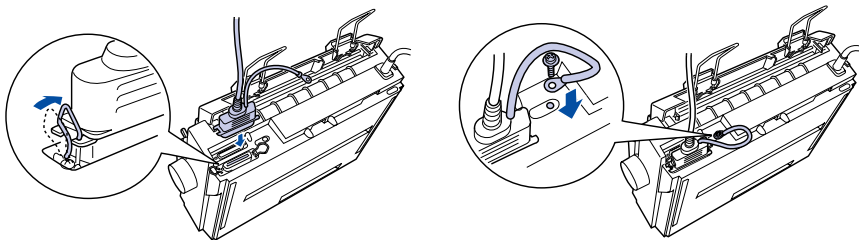
8. Ponovo montirajte i zatvorite poklopac štampača.

4. Priključivanje štampača na kompjuter

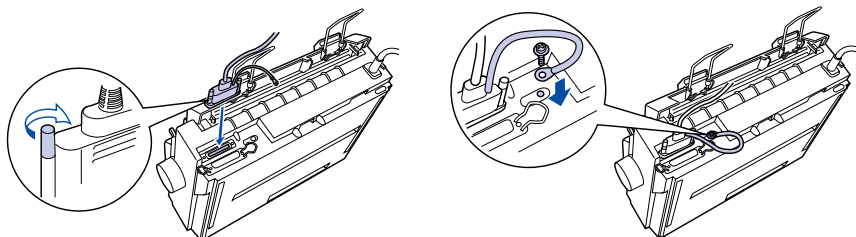
Priključivanje štampača

Pripazite da štampač i kompjuter budu isključeni, potom spojite interfejs sa štampačem i kompjuterom.

Paralelni interfejs



Serijski interfejs



Priključivanje na štampač

1. Pazite da štampač bude isključen.
2. Ako kabl za napajanje nije priključen na štampač, uključite odgovarajući kraj u utičnicu naizmjenične struje sa zadnje strane štampača.
3. Uključite kabl za napajanje u propisno uzemljenu električnu utičnicu.

5. Instalacija softvera za štampač

Za korisnike Windows XP

Kod instaliranja drajvera štampača pratite niže navedene korake.

Kako instalirati drajver štampača

1. Isključite štampač, zatim priključite štampač na svoj kompjuter.
2. Uključite štampač.
3. Uključite kompjuter i pokrenite Windows XP.
4. Vaš štampač se detektuje kroz funkciju Plug & Play i prikazuje se Found New Hardware Wizard.
5. Izaberite **Install from a list or specific location [Advanced]** (Instaliraj sa liste ili posebne lokacije [Napredno]), potom kliknite **Next** (Sledeće).
6. Stavite CD-ROM koji se isporučuje sa štampačem.
Pojavljuje se ekran instalacije. Kliknite dugme u gornjem desnom ćošku da zatvorite ekran.
7. Izaberite samo **Include this location in the search** (Uključi ovu lokaciju u pretraživanje) sa Search for the best driver in these locations. Unesite ime direktorija diska stavljenog u koraku 6, potom kliknite **Next** (Sledeće).
Kliknite **Browse** (Pretraži) da izaberete lokaciju drajvera štampača. Na primer, kad je CD-ROM drajv D, unesite "D:WIN2000" ili "D:WIX2000."
8. Kad se pojavi ekran upozorenja, kliknite **Continue** (Nastavi) da nastavite sa instalacijom drajvera štampača.
9. Kliknite **Complete** (Dovrši) da dovršite instalaciju drajvera štampača.
Ako ste nadogradili vaš kompjuter od prethodne verzije Windowsa na Windows XP, deinstalirajte postojeći drajver štampača pre nego instalirate novi.

O EPSON Status Monitor 3

Kad koristite EPSON Status Monitor 3 sa Windows XP, instalirajte EPSON Status Monitor 3 koji je uključen na CD-ROM softvera za štampač koji se isporučuje sa štampačem.

Nakon što je instalacija drajvera štampača dovršena, instalirajte EPSON Status Monitor 3.

Kod instaliranja EPSON Status Monitor 3 pratite niže navedene korake.

Kako instalirati EPSON Status Monitor 3

1. Stavite CD-ROM softvera štampača koji se isporučuje sa štampačem. Kad se pojavi ekran instalacije, kliknite dugme **Cancel** (Odustani) da zatvorite ekran.
2. Izaberite folder **EPSON Status Monitor 3** na CD-u drajvera štampača. (Pretražite CD-ROM pomoću Explore.)
3. Dvapat kliknite **stmsetup.exe** u folderu EPSON Status Monitor 3. Kad se pojavi ekran instalacije EPSON Status Monitor 3, instalirajte prateći uputstva na ekranu.

Za korisnike Windows Me ili 2000

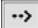
Beleška:

Za instalaciju softvera za štampač za Windowse 2000 potreban je pristup administratora. Ako imate problema, upitajte svog administratora za objašnjenje.

1. Pazite da kompjuter bude isključen.
2. Stavite CD-ROM sa softverom za štampač u CD-ROM. Pojaviće se dijaloški okvir programa za instalaciju.

Beleška:

*Ako se ne pojavi dijaloški okvir programa za instalaciju, dvapat kliknite **Setup.exe** na CD-ROM-u.*

3. Izaberite **Install Software** (Instaliraj softver) i kliknite .
4. Pratite uputstva na ekranu.

Za korisnike Windows 98, 95, 3.1, NT 4.0 ili NT 3.5x

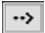
Beleška:

- *Za instalaciju softvera za štampač za Windowse NT potreban je pristup administratora. Ako imate problema, upitajte svog administratora za objašnjenje.*
- *Primeri u sledećem poglavlju su iz operativnog sistema Windows 98. Primeri mogu da izgledaju drugačije od onoga što imate na svom ekranu, ali su uputstva ista.*

1. Pazite da štampač bude isključen, potom stavite CD sa softverom za štampač u CD-ROM. Pojaviće se dijaloški okvir instalacije.

Beleška:

*Ako se ne pojavi dijaloški okvir programa za instalaciju, dvaput kliknite **Setup.exe** na CD-ROM-u.*

2. Izaberite **Install Software** (Instaliraj softver) i kliknite .
3. Izaberite štampač i pratite uputstva na ekranu.
4. Kad se pojavi poruka, stavite Windows CD i kliknite **OK**.

Beleška:

Ako je vaš PC isporučen sa već instaliranim Windowsima, Setup će se završiti i bez Windows CD-a i štampač će biti spreman za korišćenje.

*Ako dobijete poruku da drajv jedinica nije dostupna, kliknite **Cancel** (Odustani) i pokušajte ponovo.*

Ako koristite Windows NT, idite na 5. korak.

5. Kliknite **Browse** (Pretraži) za biranje odgovarajuće putanje za drajver jedinicu štampača, a potom kliknite **OK** i pratite uputstva na ekranu.

Beleška:

Ako koristite Windows NT, stavite Windows CD kad se na ekranu pojavi poruka.

6. Izaberite odgovarajući fajl u folderu i kliknite **OK**.
7. Kad se pojavi poruka, stavite Printer Driver Software CD, kliknite **Browse** (Pretraži) za biranje odgovarajuće putanje.

Beleška:

*Ako dobijete poruku da drajv jedinica nije dostupna, kliknite **Cancel** (Odustani) i pokušajte ponovo.*

*Ako se pojavi "**System Error**" (Sistemska greška) poruka, kliknite **Cancel** (Odustani). Sadržaj poruke se razlikuje obzirom na verzije Windowsa.*

Ako koristite Windows NT, ne morate da odredite putanju.

Ako koristite Windows 98, Printer Utility Setup može da počne. Ako počne, pratite uputstva na ekranu.

8. Postavljanje je završeno. Spremni ste da koristite štampač.

Za DOS programe

Za kontrolisanje štampača iz DOS aplikacionih programa treba da odaberete štampač koji koristite ili neki drugi štampač sa liste štampača svoje aplikacije.

Izaberite EPSON LQ-300+ štampač na odgovarajućem koraku u postavljanju ili proceduri instalacije svog DOS aplikacionog programa. Ako lista u aplikaciji ne uključuje štampač LQ-300+ izaberite prvi štampač na donjoj listi.

LQ-300	LX-800	FX-86e/800	EPSON LQ štampač
LQ-580/570e	LX-80/86	JX-80	EPSON LQ štampač
LX-810/850	FX-850	EX-800	EPSON štampač

Ako planirate koristiti boju, morate da izaberete LQ-300. Ostali štampači ne mogu da koriste boju.

Beleška:

Ako vaša aplikacija nema odgovarajuću alternativu, kontaktirajte proizvođača softvera da vidite da li postoji ažurirana verzija.

Onog trenutka kad softver za štampač bude uspešno instaliran na kompjuter, štampač će biti spreman za korišćenje.

6. Korišćenje priručnika

Priručnik pruža detaljne informacije o funkcijama štampača, dodatnim proizvodima, softveru za štampač, pronalaženju kvarova i tehničke specifikacije.

Pratite ove korake za pristup *Priručniku* sa CD-ROM-a:

1. Stavite CD sa softverom za štampač u CD-ROM.
2. Dvapat kliknite **User Guides** (Uputstva za korisnike) sa ovog ekrana. Pojaviće se dijaloški okvir instalacije.

